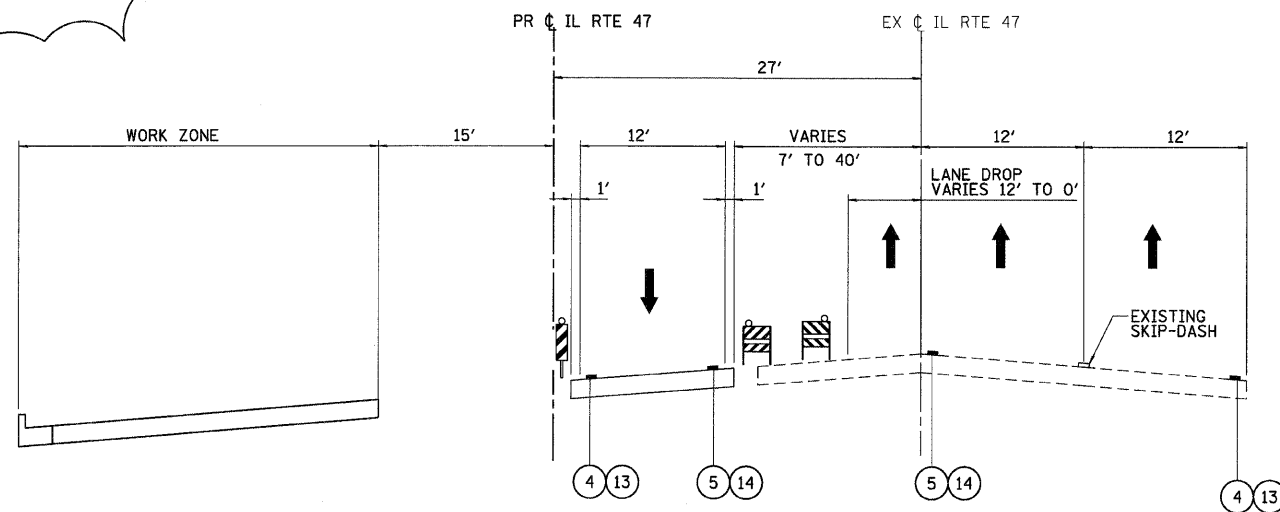
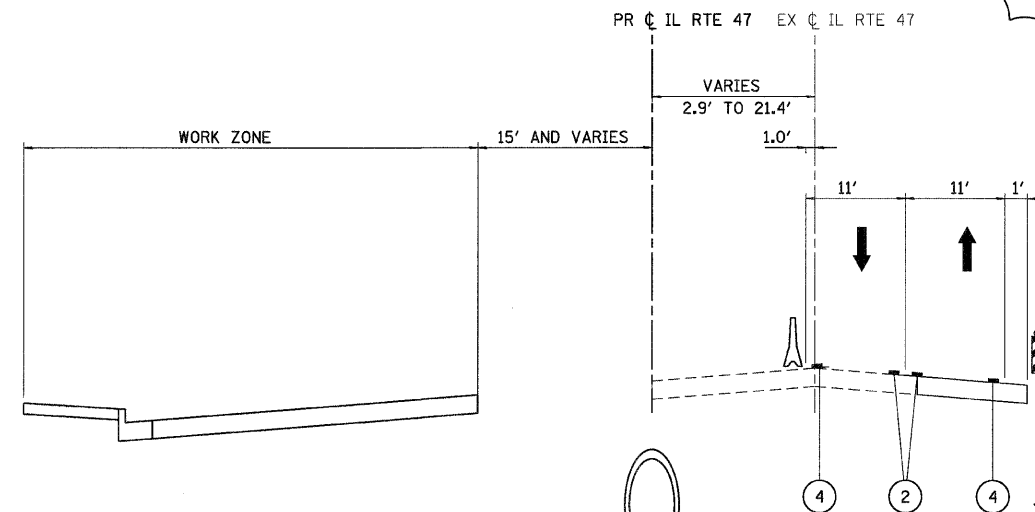


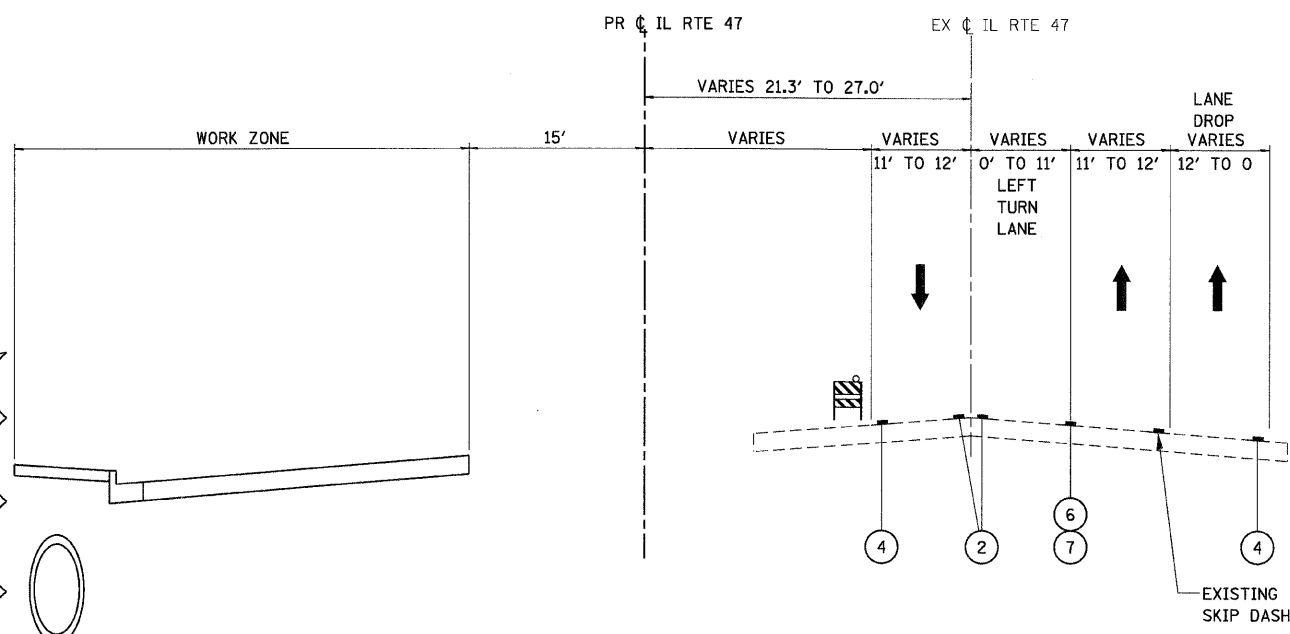
F.A.P. RTE.	SECTION	COUNTY	TOTAL SHEETS	SHEET NO.
326	*	McHENRY	502	49
STA. 9+35.22		TO STA.142+08.53		
FED. ROAD DIST. NO.		ILLINOIS FED. AID PROJECT		
• (105X & 106) WRS-2				



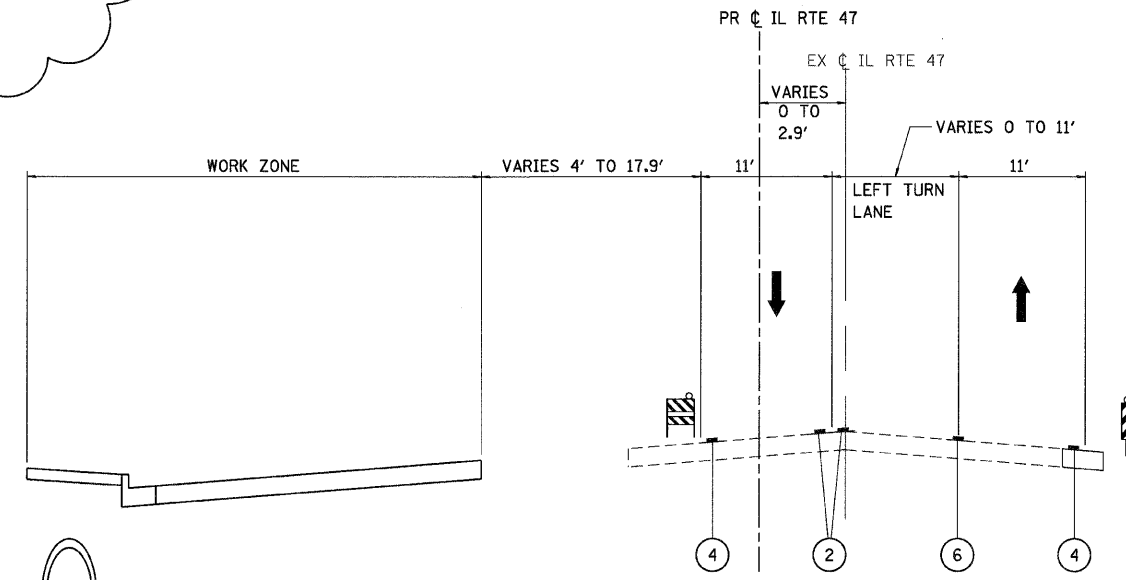
STAGE 1: IL RTE 77
STA 7+32.7 TO STA 11+59.6



STAGE 1 - IL RTE 77
STA 25+23.0 TO STA 33+29.9



STAGE 1 - IL RTE 77
STA 11+59.6 TO STA 25+23.0



STAGE 1 - IL RTE 77
STA 33+29.9 TO STA 75+89.9

PLOT DATE = Thursday, December 17, 2009
FILE NAME = S:\11-CADD\11-rte-77\11-rte-77-stage-1.dgn
PLOT SCALE = 1/8"=1'-0"
USER NAME = 3670



REVISIONS	
NAME	DATE
ADDENDUM A	12/21/09

ILLINOIS DEPARTMENT OF TRANSPORTATION
ILLINOIS ROUTE 47
MAINTENANCE OF TRAFFIC TYPICAL SECTIONS
STAGE 1 - SHEET 1 OF 2

SCALE: VERT. NO SCALE
HORIZ. DATE: 8/5/2009

DRAWN BY: E.D.
CHECKED BY: B.S.