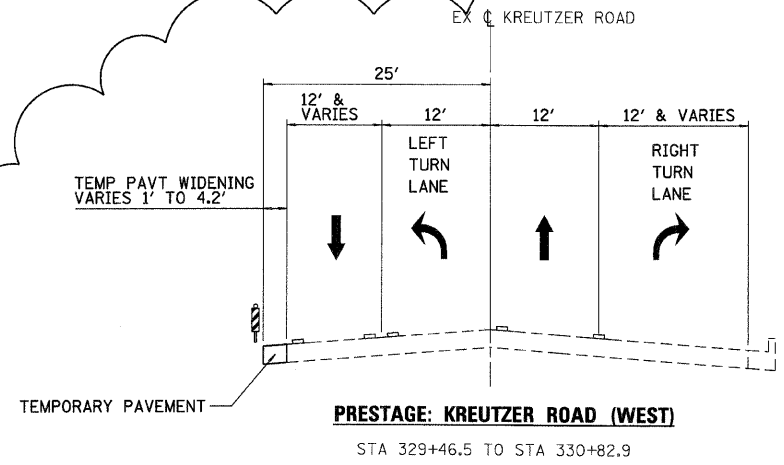
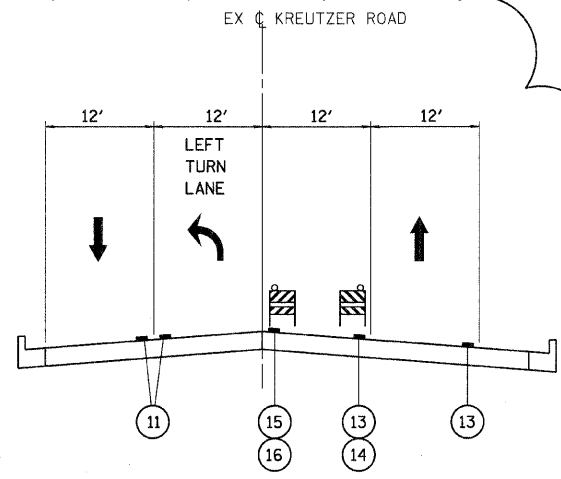


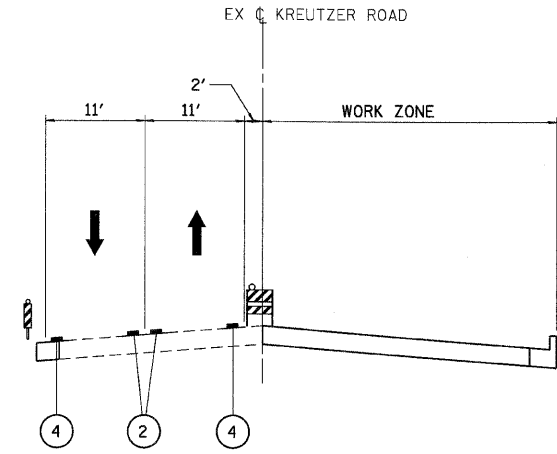
F.A.P. RTE.	SECTION	COUNTY	TOTAL SHEETS	SHEET NO.
326	*	McHENRY	502	54
STA. 9+35.22		TO STA.142+08.53		
FED. ROAD DIST. NO.		ILLINOIS	FED. AID PROJECT	
• (105X & 106) WRS-2				



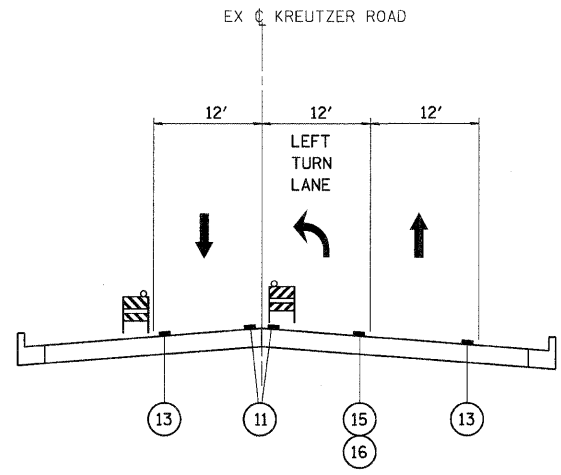
PRESTAGE: KREUTZER ROAD (WEST)
STA 329+46.5 TO STA 330+82.9



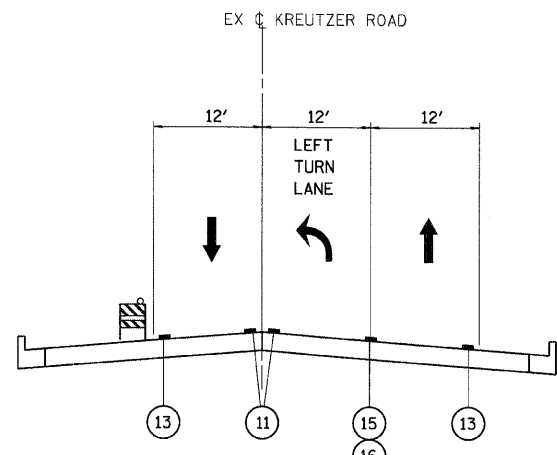
STAGE 3B: KREUTZER ROAD (WEST)



STAGE 1: KREUTZER ROAD (WEST)



STAGE 3C: KREUTZER ROAD (WEST)



STAGE 2: KREUTZER ROAD (WEST)

PLOT DATE = Thursday, December 17, 2009
FILE NAME = S:\11-CADD\01-sha\0851.mst.spl-see.snda.2.dgn
PLOT SCALE = 1/8"=1'
USER NAME = 3959



REVISIONS	
NAME	DATE
ADDENDUM A	12/21/09

ILLINOIS DEPARTMENT OF TRANSPORTATION
KREUTZER ROAD
MAINTENANCE OF TRAFFIC TYPICAL SECTIONS
SHEET 2 OF 2

SCALE: VERT. NO SCALE
HORIZ. DATE: 8/5/2009

DRAWN BY: E.D.
CHECKED BY: B.S.