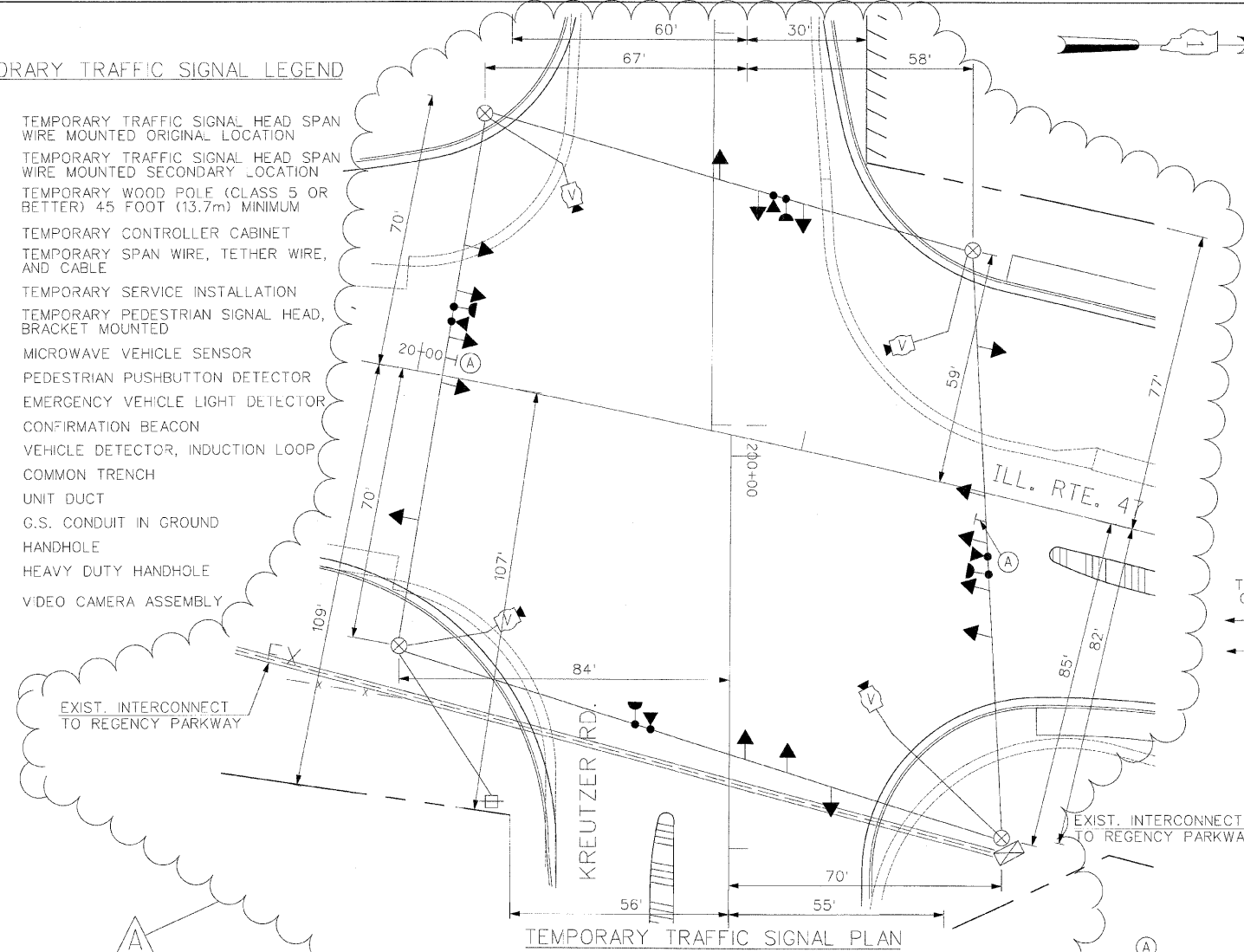


TEMPORARY TRAFFIC SIGNAL LEGEND

- ← TEMPORARY TRAFFIC SIGNAL HEAD SPAN WIRE MOUNTED ORIGINAL LOCATION
- ↖ TEMPORARY TRAFFIC SIGNAL HEAD SPAN WIRE MOUNTED SECONDARY LOCATION
- ⊗ TEMPORARY WOOD POLE (CLASS 5 OR BETTER) 45 FOOT (13.7m) MINIMUM
- ⊠ TEMPORARY CONTROLLER CABINET
- TEMPORARY SPAN WIRE, TETHER WIRE, AND CABLE
- ⊞ TEMPORARY SERVICE INSTALLATION
- ⊞ TEMPORARY PEDESTRIAN SIGNAL HEAD, BRACKET MOUNTED
- ⊞ MICROWAVE VEHICLE SENSOR
- ⊞ PEDESTRIAN PUSHBUTTON DETECTOR
- ⊞ EMERGENCY VEHICLE LIGHT DETECTOR
- ⊞ CONFIRMATION BEACON
- ⊞ VEHICLE DETECTOR, INDUCTION LOOP
- CT COMMON TRENCH
- UD UNIT DUCT
- G.S. CONDUIT IN GROUND
- ⊞ HANDHOLE
- ⊞ HEAVY DUTY HANDHOLE
- ⊞ VIDEO CAMERA ASSEMBLY

TEMPORARY CABLE DIAGRAM LEGEND

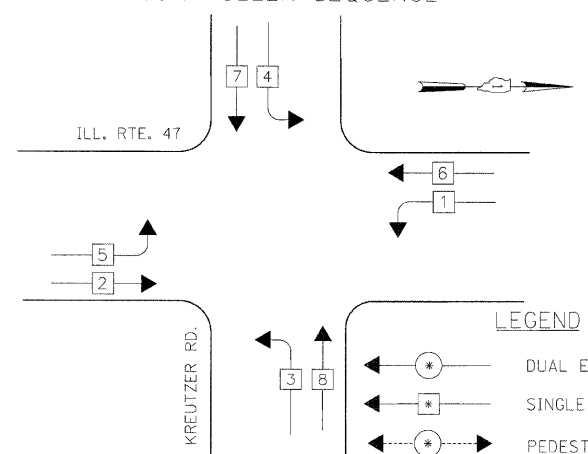
- ⊞ TEMPORARY TRAFFIC SIGNAL SECTION OR PEDESTRIAN SIGNAL SECTION 12" (300mm)
- ⊞ TEMPORARY CONTROLLER CABINET
- ⊞ TEMPORARY SERVICE INSTALLATION
- ⊞ INDICATES NUMBER OF CONDUCTORS IN CABLE. ALL CONDUCTORS TO BE NUMBER 14 AWG WIRE UNLESS OTHERWISE NOTED.
- ⊞ EMERGENCY VEHICLE LIGHT DETECTOR
- ⊞ CONFIRMATION BEACON
- ⊞ VEHICLE DETECTOR, INDUCTION LOOP
- ⊞ PEDESTRIAN PUSHBUTTON DETECTOR
- ⊞ 12" (300mm) PEDESTRIAN SIGNAL SECTION
- ⊞ VIDEO CAMERA ASSEMBLY
- ⊞ CO-AXIAL VIDEO CABLE



TEMPORARY TRAFFIC SIGNAL PLAN
(SCALE: 1"=20')

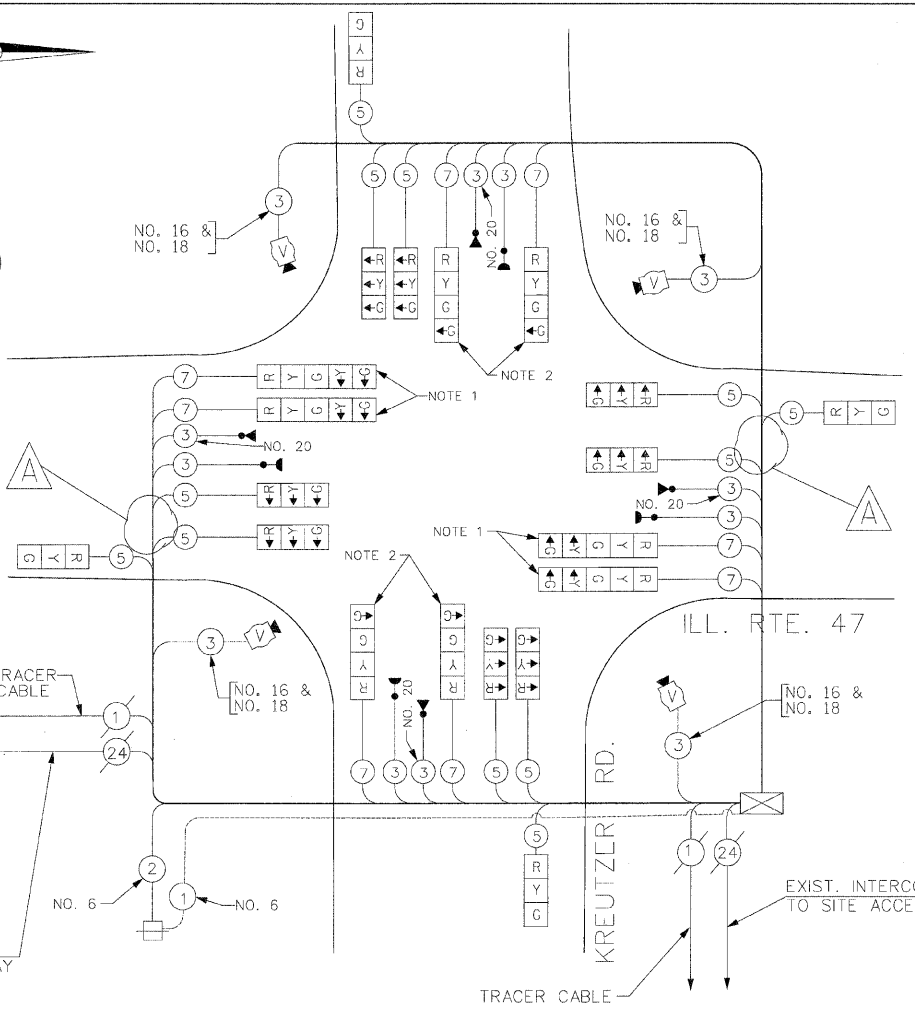
STAGES: AFTER ALL THE ROADWAY GEOMETRICS ARE BUILT AND OPEN TO TRAFFIC

CONTROLLER SEQUENCE



TEMPORARY PHASE DESIGNATION DIAGRAM

STAGES: AFTER ALL THE ROADWAY GEOMETRICS ARE BUILT AND OPEN TO TRAFFIC

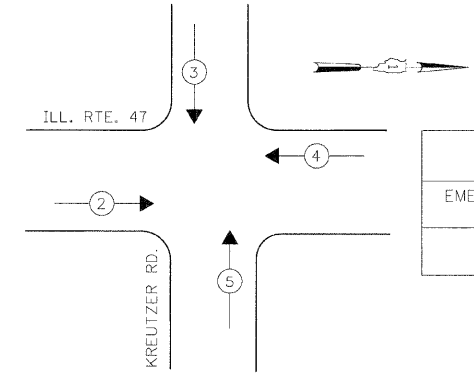


TEMPORARY CABLE PLAN
(NOT TO SCALE)

STAGES: AFTER ALL THE ROADWAY GEOMETRICS ARE BUILT AND OPEN TO TRAFFIC

R10-5, 24" X 30"
(2 REQUIRED, INCIDENTAL)

EMERGENCY VEHICLE PREEMPTION SEQUENCE



STAGES: AFTER ALL THE ROADWAY GEOMETRICS ARE BUILT AND OPEN TO TRAFFIC

PROPOSED EMERGENCY VEHICLE PREEMPTORS				
EMERGENCY VEHICLE PREEMPTOR	2	3	4	5
MOVEMENT	→	↓	←	↑

- NOTE 1: AFTER ALL THE ROADWAY GEOMETRICS ARE BUILT AND OPEN TO TRAFFIC, THE GREEN AND YELLOW LEFT ARROW INDICATION SECTIONS FOR THE NORTHBOUND AND SOUTHBOUND DIRECTION OF TRAFFIC SHALL BE BAGGED AND DISCONNECTED AT THE CONTROLLER.
- NOTE 2: THE GREEN LEFT ARROW SECTION IN THE FOUR (4) SECTION SIGNAL HEAD SHALL BE BAGGED AND DISCONNECTED AT THE CONTROLLER AFTER ALL THE PROPOSED ROADWAY GEOMETRICS ARE BUILT AND OPEN TO TRAFFIC.
- NOTE 3: ALL THE VIDEO DETECTION ZONES SHALL BE REDEFINED FOR EACH CONSTRUCTION STAGE. THIS WORK IS INCIDENTAL TO THE PAY ITEM "MODIFY TEMPORARY TRAFFIC SIGNAL INSTALLATION".
- NOTE 4: ALL THE TEMPORARY TRAFFIC SIGNAL HEADS SHALL BE LED TYPE.

THE TRAFFIC SIGNAL CONTROL EQUIPMENT FOR THIS PROJECT SHALL BE "EAGLE" TO MATCH THE EXISTING ADJACENT SYSTEM.

I.D.O.T. TRAFFIC SIGNAL INSTALLATION ELECTRICAL SERVICE REQUIREMENTS					TOTAL WATTAGE
TYPE	NO LAMPS	WATTAGE	OPERATION		
SIGNAL (RED)	20	135	17	0.50	170
(YELLOW)	20	135	25	0.25	125
(GREEN)	24	135	15	0.25	90
ARROW		135	12	0.10	
PED. SIGNAL		90	25	1.00	
CONTROLLER	1	100	100	1.00	100
ILLUM. SIGN				0.05	
FLASHER				0.50	
ENERGY COS'S TO:				TOTAL	485

ENERGY SUPPLY CONTACT: **KATIE OLIVA**
PHONE: (847) 608-2338
COMPANY: **COMED**

REVISIONS	
NAME	DATE
ADDENDUM A	12/21/2009

ILLINOIS DEPARTMENT OF TRANSPORTATION
TEMPORARY TRAFFIC SIGNAL INSTALLATION PLAN, TEMPORARY CABLE PLAN
ILLINOIS ROUTE 47 AT KREUTZER ROAD
AFTER ALL THE ROADWAY GEOMETRICS ARE BUILT AND OPEN TO TRAFFIC
(SHEET 7 OF 7)

SCALE: 1"=20'
DATE: APRIL 17, 2009

DRAWN BY: ME/MA,YB
DESIGNED BY: PKG/RRM
CHECKED BY: PKG/RRM

GO GANDHI AND ASSOCIATES, INC.
ENGINEERS AND PLANNERS
8035 N. NORTHWEST HIGHWAY
SUITE 306
CHICAGO, ILLINOIS 60631 TEL: (773) 774-5910

\\fs1\projects\2008\11\47106_08C-E47\KREUTZER RD_Temp_113_CD3.dgn
12/16/2009
6:59:05 PM