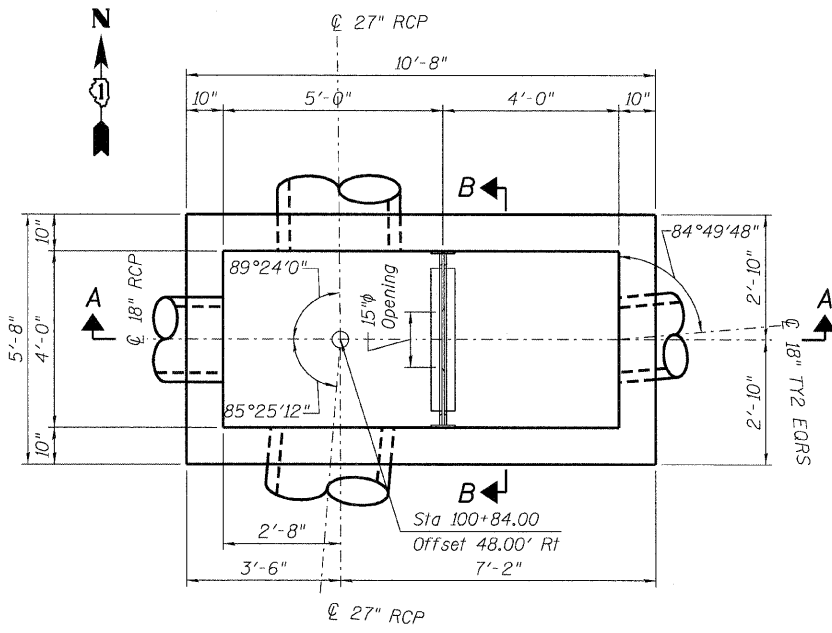


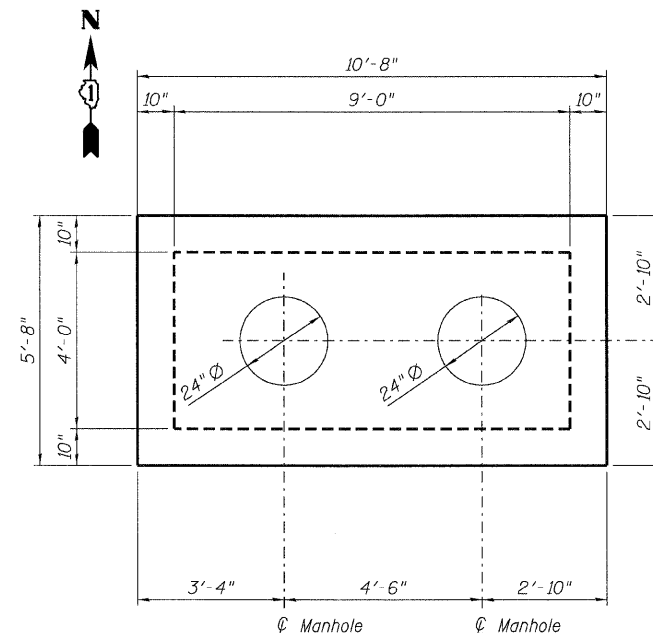
STATE OF ILLINOIS
DEPARTMENT OF TRANSPORTATION

ROUTE NO.	SECTION	COUNTY	TOTAL SHEETS	SHEET NO.
FAP 326	★	McHENRY	502	328
FED. ROAD DIST. NO. 7	ILLINOIS	FED. AID PROJECT-	326	

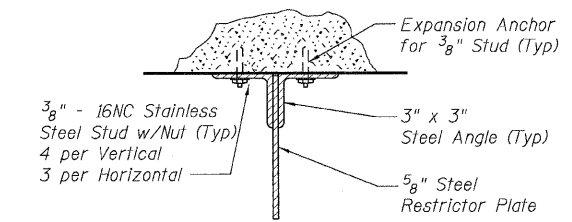
Contract No. 62882
★ (105X & 106)WRS-2



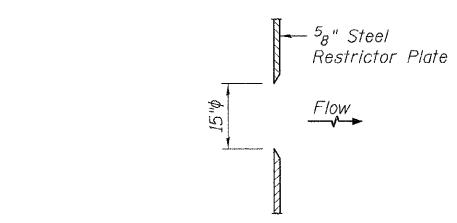
PLAN



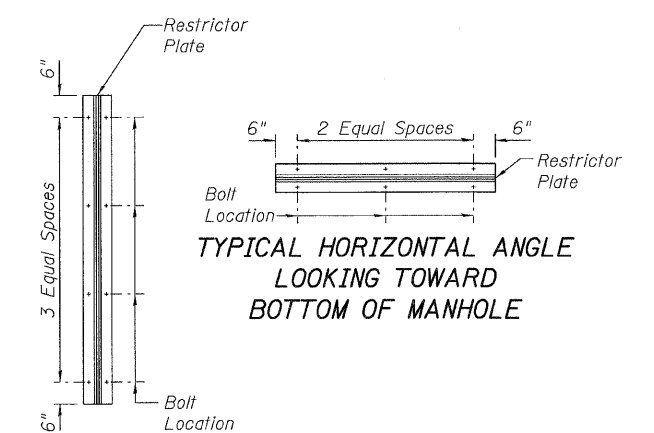
TOP SLAB



ANGLE FASTENER DETAIL



RESTRICTOR PLATE ORIFICE DETAIL
(Sharp Edge)



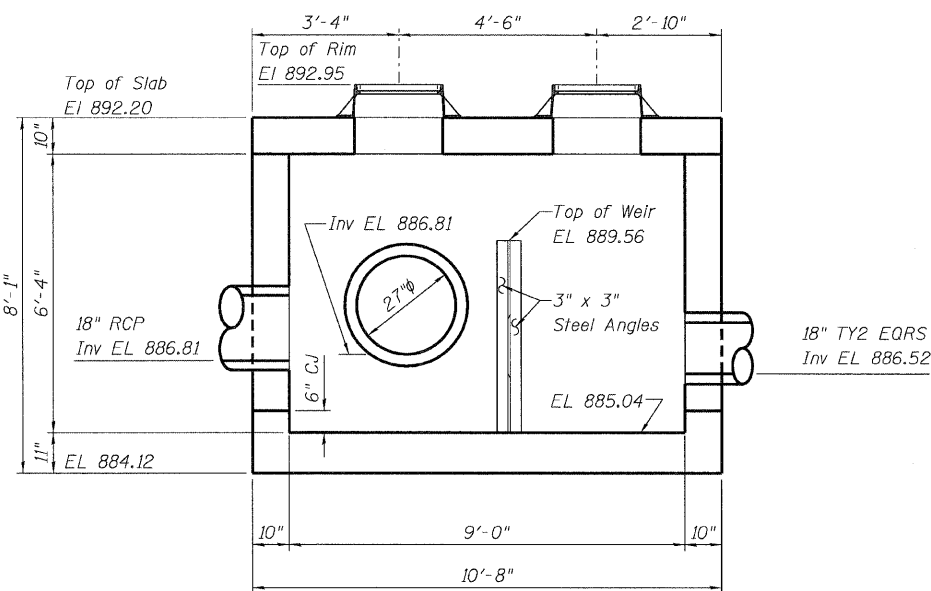
STEEL ANGLE BOLTING DETAILS
(Total Bolts Required: 22)

TOTAL BILL OF MATERIAL

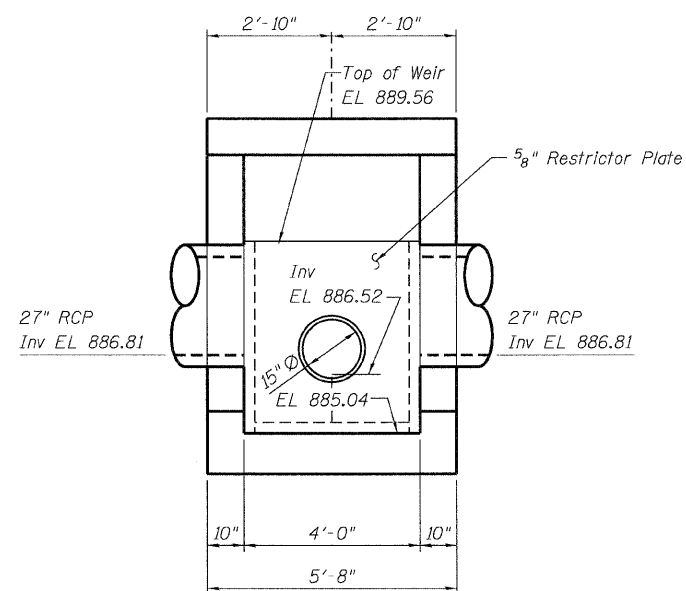
ITEM	UNIT	TOTAL
Junction Chamber No. 3	Each	1

NOTES:

- All steel angles and plates to be galvanized after fabrication.
- All restrictor plates, angles, and hardware to be included in the cost of the manhole.
- Angles shall be 3" x 3" x 3/8".
- Vertical angles shall extend from the bottom of the restrictor plate to the top.
- Horizontal angles shall extend from vertical angles to vertical angles.
- For Junction Chamber location See Drainage Plans.
- For reinforcement layout and schedule See Sheet 6 of 6.



SECTION A-A



SECTION B-B

DESIGNED	BG
CHECKED	DSE
DRAWN	RTT
CHECKED	DSE
DATE	Aug. 5, 2009

ABBREVIATION LIST
CJ Construction Joint



JUNCTION CHAMBER No.3 LAYOUT
STRUCTURE #299 OUTLET
PLAN, SECTION & DETAILS
AT ALGONQUIN RD
F.A.P. 326 - SECT. (105X & 106)WRS-2
McHENRY COUNTY
STATION 100+84.00
OFFSET 48.00' RT