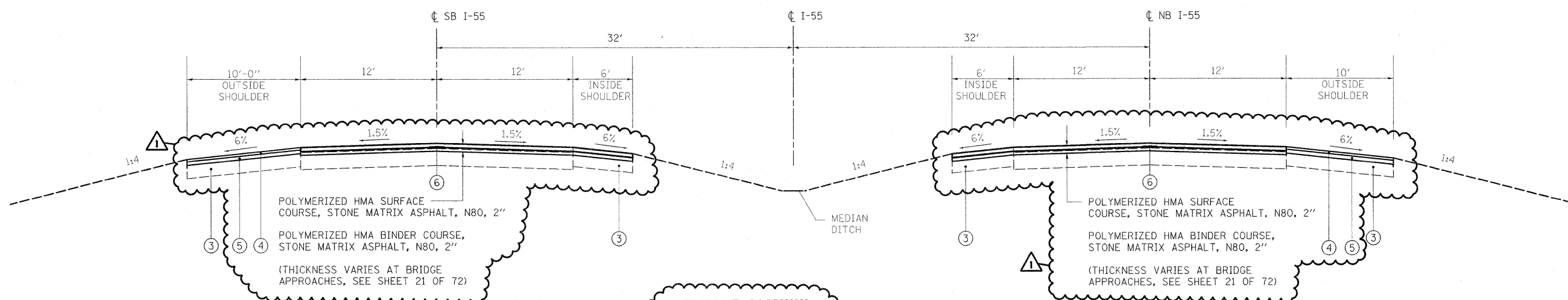


**EXISTING ROADWAY
TYPICAL SECTION**



**PROPOSED ROADWAY
TYPICAL SECTION**

INSIDE SHOULDER MILLING & RESURFACING:
 STA 27+50.00 TO 33+50.00
 STA 42+50.00 TO 61+12.50
 STA 71+12.50 TO 76+50.00
 STA 87+50.00 TO 90+70.00

MAINLINE PAVEMENT & OUTSIDE SHOULDER MILLING & RESURFACING:
 STA 27+50.00 TO 61+12.50
 STA 71+12.50 TO 90+70.00

HOT-MIX ASPHALT MIXTURE

| MIXTURE TYPE | THICKNESS | AIR VOIDS |
|--|-----------|----------------|
| HMA BINDER COURSE, IL-19.0, N70 | 1 1/2" | 4% @ 70 Gyr. |
| HMA SURFACE COURSE, MIX "D", N70 (IL 9.5 mm) | 2 1/4" | 4% @ 70 Gyr. |
| POLYMERIZED HMA BINDER COURSE, SMA, N80 | 2" | 3.5% @ 80 Gyr. |
| POLYMERIZED HMA SURFACE COURSE, SMA, N80 | 2" | 3.5% @ 80 Gyr. |
| HMA CROSSOVER, HMA BINDER IL-19mm | 13" | 2% @ 30 Gyr. |
| HMA SHOULDERS, HMA BINDER IL-19mm | 10" | 2% @ 30 Gyr. |
| STABILIZED SUBBASE (HMA IL-19mm) | 4 1/2" | 2% @ 30 Gyr. |
| POLYMERIZED LEVELING BINDER (MACHINE METHOD), IL-4.75, N50 | VARIABLE | 4% @ 50 Gyr. |

THE UNIT WEIGHT TO CALCULATE ALL HMA STONE MATRIX ASPHALT MIXTURE QUANTITIES IS 135LBS/SY/IN THE UNIT WEIGHT TO CALCULATE ALL OTHER HMA MIXTURES QUANTITIES IS 112LBS/SY/IN
 *WHEN RAP EXCEEDS 20%, THE NEW ASPHALT BINDER IN THE MIX SHALL BE PG 58-22.

THE "AC TYPE" FOR POLYMERIZED HMA MIXES SHALL BE "SBS/SBR PG 70-22" AND FOR NON-POLYMERIZED HMA THE "AC TYPE" SHALL BE "PG 64-22" UNLESS MODIFIED BY DISTRICT ONE SPECIAL PROVISIONS. FOR "PERCENT OF RAP" SEE DISTRICT ONE SPECIAL PROVISIONS.

- LEGEND**
- ① EXISTING PCC PAVEMENT, 10"
 - ② EXISTING HOT-MIX ASPHALT SURFACE, VARIES
 - ③ EXISTING HOT-MIX ASPHALT SHOULDER, 10"
 - ④ HOT-MIX ASPHALT SURFACE COURSE, MIX "D", N70, 1 1/2"
 - ⑤ HOT-MIX ASPHALT BINDER COURSE, IL-19.0, N70, 2 1/4"
 - ⑥ STRIP REFLECTIVE CRACK CONTROL TREATMENT, SYSTEM A

PLOT DATE = 12/23/2009
 PLOT SCALE = 60%
 USER NAME = chedob
 MODEL = Default



200 West Front Street
Wheaton, IL 60187

| | |
|-----------------|----------------------|
| DESIGNED - KSD | REVISED - ADD. NO. 1 |
| DRAWN - KSD | REVISED - |
| CHECKED - CMJ | REVISED - |
| DATE - 03-04-09 | REVISED - |

**STATE OF ILLINOIS
DEPARTMENT OF TRANSPORTATION**

**I-55 OVER THE KANKAKEE RIVER
TYPICAL SECTIONS**

SCALE: NTS SHEET NO. 1 OF 3 SHEETS STA. --- TO STA. ---

| | | | | |
|---|-----------------------|-------------|-----------------|-------------|
| F.A.I. RTE. 55 | SECTION 88 (B&B-1) BR | COUNTY WILL | TOTAL SHEETS 72 | SHEET NO. 5 |
| CONTRACT NO. 62930 | | | | |
| FED. ROAD DIST. NO. 1 ILLINOIS FED. AID PROJECT | | | | |