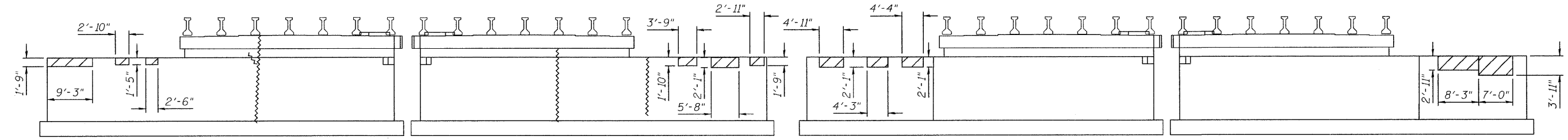


NORTH ABUTMENT
(LOOKING NORTH)

SOUTH ABUTMENT
(LOOKING SOUTH)

PIER 1
ELEVATION, SOUTH FACE
(LOOKING NORTH)

PIER 1
ELEVATION, NORTH FACE
(LOOKING SOUTH)

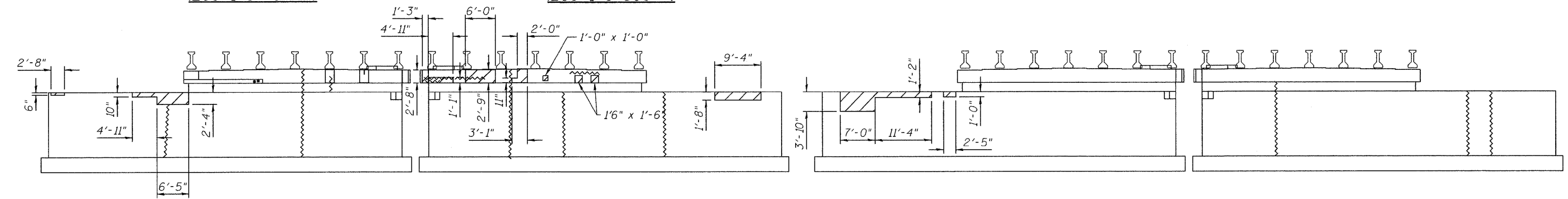


PIER 2
ELEVATION, SOUTH FACE
(LOOKING NORTH)

PIER 2
ELEVATION, NORTH FACE
(LOOKING SOUTH)

PIER 3
ELEVATION, SOUTH FACE
(LOOKING NORTH)

PIER 3
ELEVATION, NORTH FACE
(LOOKING SOUTH)



PIER 4
ELEVATION, SOUTH FACE
(LOOKING NORTH)

PIER 4
ELEVATION, NORTH FACE
(LOOKING SOUTH)

PIER 5
ELEVATION, SOUTH FACE
(LOOKING NORTH)

PIER 5
ELEVATION, NORTH FACE
(LOOKING SOUTH)

LEGEND

- Epoxy Crack Injection
- Structural Repair of Concrete
(Depth Equal to or Less Than 5")
- Structural Repair of Concrete
(Depth greater Than 5")

Note:
Quantities are Included in Bill of Material on Sheet 18 of 19

PLOT DATE = 6/25/2009
 PLOT SCALE = 2/11/2004 1" = 1'
 USER NAME = JML

ILLINOIS DEPARTMENT OF TRANSPORTATION	
SHEET TITLE	
ABUTMENT & PIER REPAIR DETAILS	
PROJECT	PROJECT NO.
I-55 NB OVER KANKAKEE RIVER	03095-16
FAI ROUTE 55, SECTION 88(B&B-1)BR	SCALE
WILL COUNTY	DATE
SN 099-0001	06/25/09
	DRAWN BY
	CFC
	CHECKED BY
	MCB/KPS
DRAWING NO.	
17	
OF 19 SHTS	

COOMBE-BLOXDORF P.C.
 Engineers / Land Surveyors
 Springfield, Illinois
 Design Firm License No. 184-002703