

Benchmark: Chiseled "X" on top of west parapet, south end of SN 099-0002, Elev. 533.22

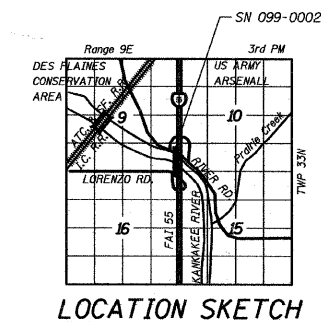
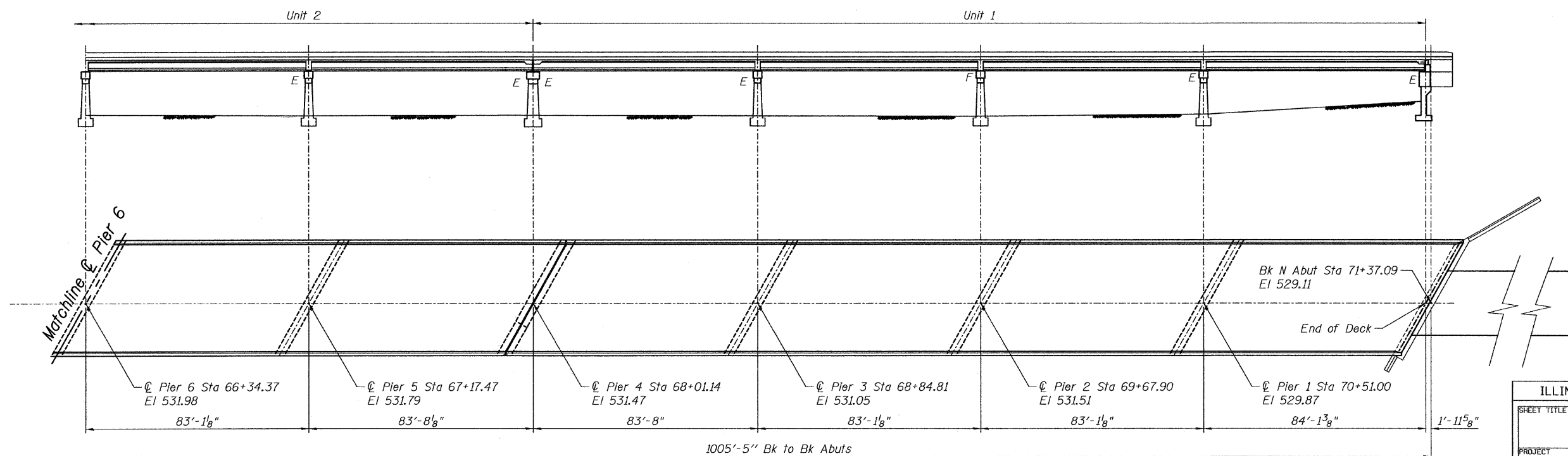
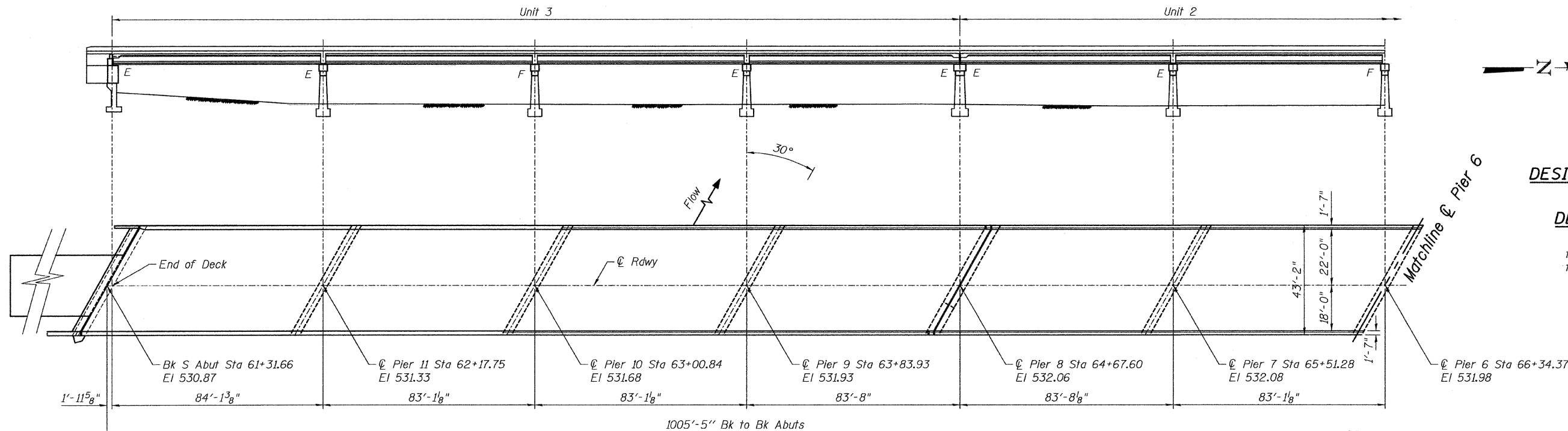
Existing Structure: 12 Span PPC I-Beam Superstructure Consisting of Three (4 Span) Continuous Units on Solid Concrete Piers and Closed Concrete Abutments. The Abutments and Piers Were Built in 1955 and New Caps and Superstructure Were Added in 1986.

Proposed Improvement: Deck Repair. Scarify Deck 1" and Install Bridge Deck Latex concrete Overlay 2 1/4".
 Replace Neoprene Expansion Joints. Install Concrete Brackets Under Cantilever Portion of Pier Caps at Piers 1 Thru 11.
 Structural Repair of Concrete and Epoxy Crack Injection at Abutments and Piers.

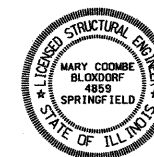
ROUTE NO.	SECTION	COUNTY	TOTAL SHEETS	SHEET NO.
FAI 55	*	Will	72	48
FED. ROAD DIST. NO. 7		ILLINOIS	FED. AID PROJECT: * 88(B&B-1)BR	

SHEET NO. 1
9 SHEETS

Contract #62930



PLAN & ELEVATION



Mary Coombe Bloxdorf
 ILLINOIS STRUCTURAL NO. 4859
 EXPIRES: 11/30/10
 DATE: 6-25-09

ILLINOIS DEPARTMENT OF TRANSPORTATION	
SHEET TITLE PLAN AND ELEVATION	
PROJECT I-55 SB OVER KANKAKEE RIVER FAI ROUTE 55, SECTION 88(B&B-1)BR WILL COUNTY SN 099-0002	PROJECT NO. 03095-16 SCALE DATE 6/25/09 DRAWN BY CFC CHECKED BY MCB/KPS DRAWING NO. 1
COOMBE-BLOXDORF P.C. Engineers / Land Surveyors Springfield, Illinois Design Firm License No. 184-002703	
OF 9 SHTS	

PLOT DATE = 12/01/2009
 FILE NAME = \\sbs-099-0002-sheet-1-plan-el.dgn
 PLOT SCALE = 214.0000 1" / 10'
 USER NAME = CFC