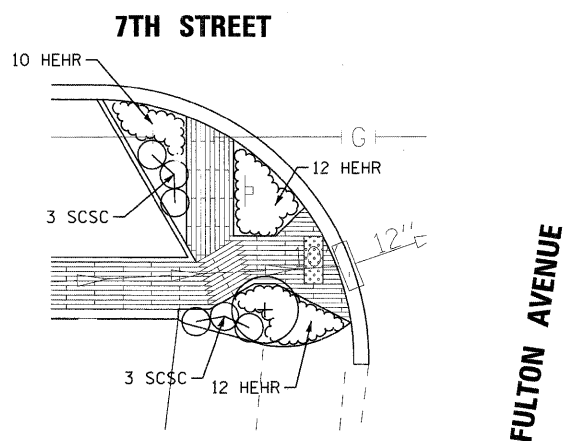
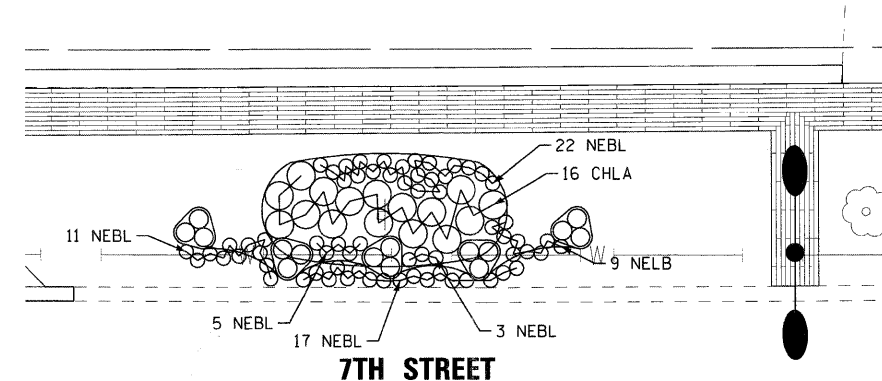


SCHEDULE OF PLANT MATERIAL

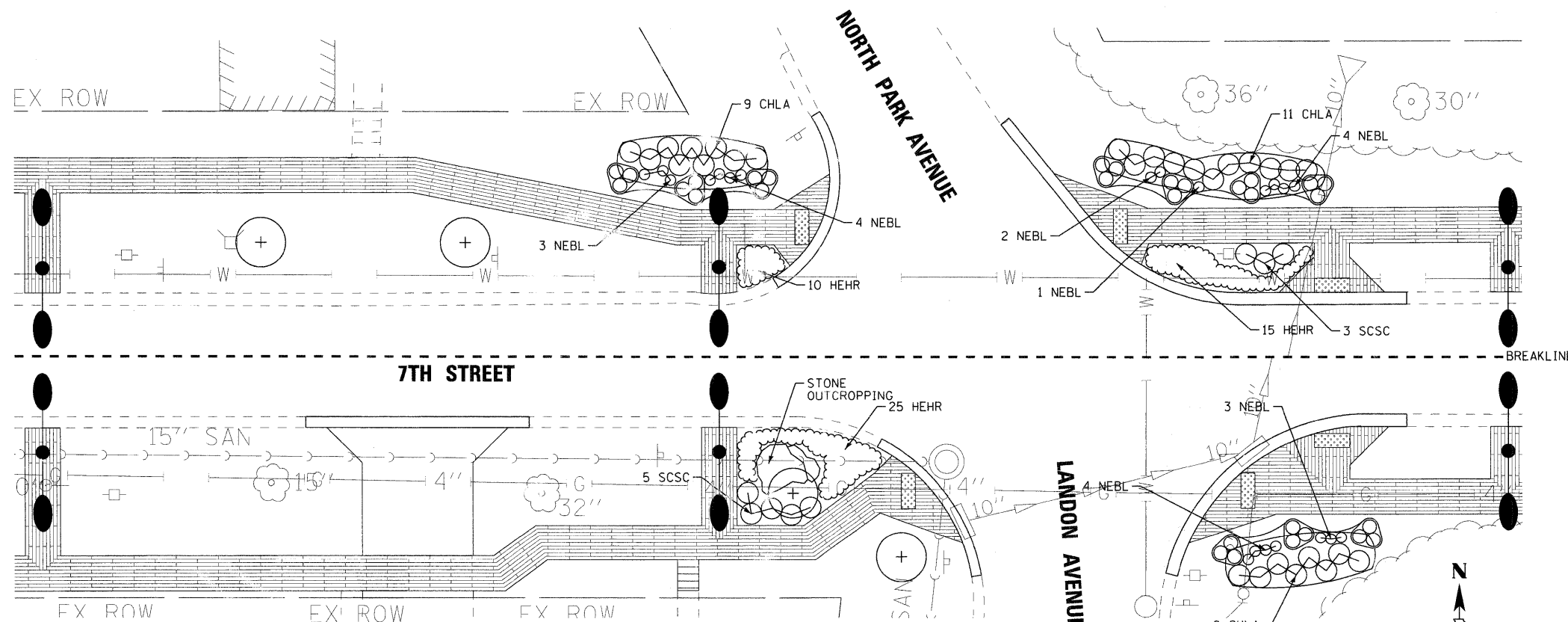
PAY ITEM	ABBREV.	QTY. THIS SHEET (UNIT)
PERENNIAL PLANTS, CHASMANTHIUM LATIFOLIUM (NORTHERN SEA OATS), 1 GALLON	CHLA	0.44
SCHIZACHYRIUM SCOPARIUM	SCSC	0.14
HEMEROCALLIS HAPPY RETURNS (HAPPY RETURNS DAYLILY), 1 GALLON	HEHR	0.84
NEPETA FASSINI BLUE WONDER (BLUE WONDER CATMINT), 1 GALLON	NEBL	0.88



3 7TH STREET AND FULTON AVENUE
SCALE: 1" = 10'



4 7TH STREET
SCALE: 1" = 10'



5 7TH STREET AND NORTH PARK AVENUE / LANDON AVENUE
SCALE: 1" = 10'

COPYRIGHT © 2009 BY BAXTER & WOODMAN, INC.
 STATE OF ILLINOIS - PROFESSIONAL DESIGN FIRM
 LICENSE NO. - 184-00021 - EXPIRES 4/30/2011
 ILLINOIS - 060807-lands-enlargel.sht
 4/20/09 4:00:55 PM



DESIGNED - MWP	REVISED - IDOT REVIEW 2/19/09
DRAWN - CJC	REVISED - IDOT REVIEW 4/22/09
CHECKED - MDW	REVISED -
DATE - 8-1-08	FILE - 060807-lands-enlargel.sht

VILLAGE OF WINTHROP HARBOR, ILLINOIS
ILLINOIS ROUTE 137 (SHERIDAN ROAD) AND 7th STREET
STREETSCAPE IMPROVEMENTS

ENLARGED LANDSCAPE PLAN
7TH STREET

SCALE: 1" = 10' STA. TO STA.

F.A.P. RTE.	SECTION	COUNTY	TOTAL SHEETS	SHEET NO.
•	06-00036-00-LS	LAKE	70	36
FED. ROAD DIST. NO. 1		CONTRACT NO. 63167		
JOB NO. C-91-197-10		ILLINOIS FED. AID PROJECT ARA-00011810		

• F.A.P. 352 ILLINOIS ROUTE 137 (SHERIDAN ROAD)