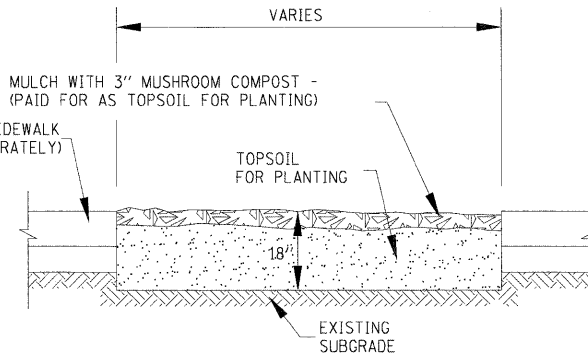
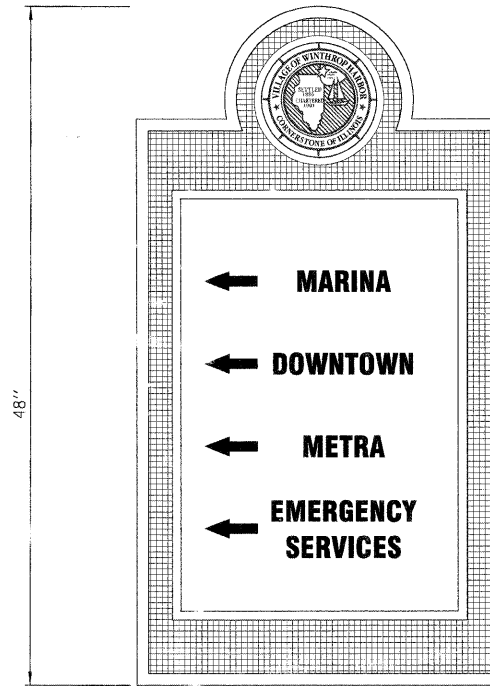


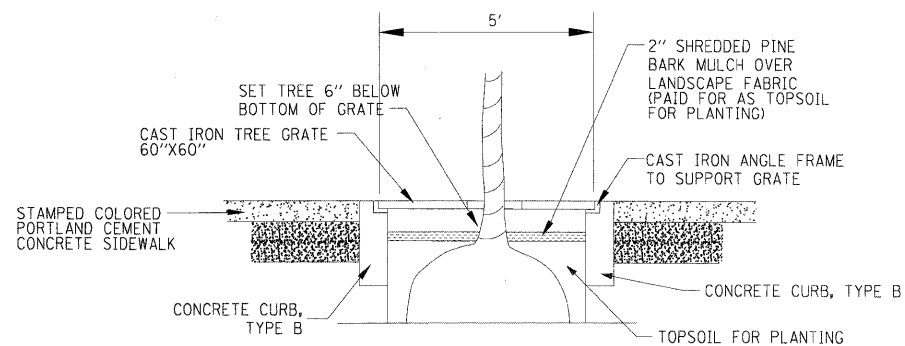
SECTION
TREE WELL PLANTING / TREE DRIPLINE
NO SCALE



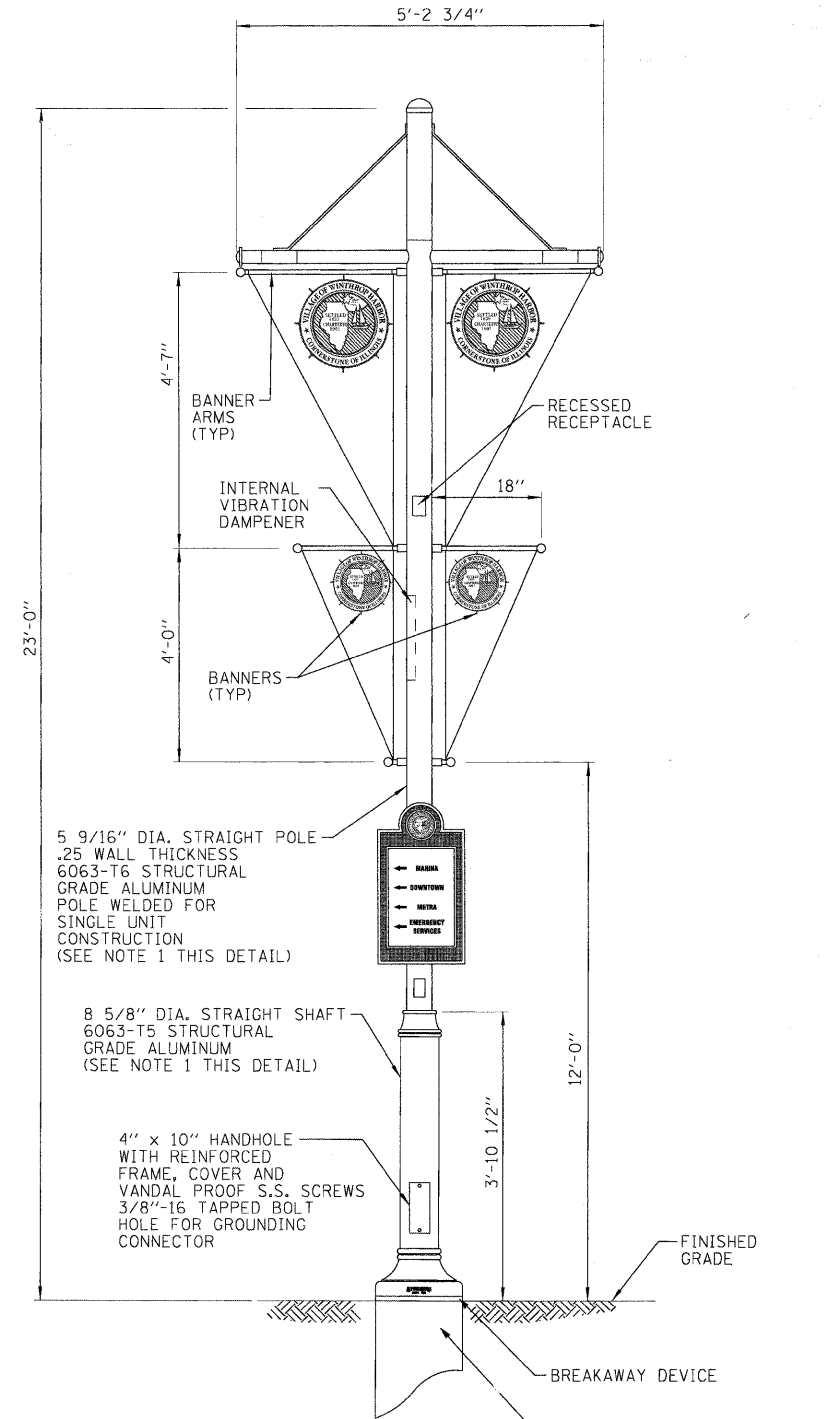
PLANTING BED DETAIL



WAYFINDING SIGN



SECTION
CAST IRON TREE GRATE AND PLANTING DETAIL



NOTES:
1. SHOP DRAWINGS FOR POLE AND FOUNDATION SHALL INDICATE POLE CAN HANDLE WIND LOADING.

WAYFINDING SIGN DETAIL

COPYRIGHT © 2005 BY BAXTER & WOODMAN, INC.
 STATE OF ILLINOIS - PROFESSIONAL DESIGN FIRM
 LICENSE NO. 034-00021 - EXPIRES 4/30/2011
 15 WILSON DRIVE, GAITHERSBURG, MD 20878-4004
 410.664.4444



DESIGNED - MWP	REVISED - IDOT REVIEW 2/19/09
DRAWN - MWP	REVISED - IDOT REVIEW 4/22/09
CHECKED - MDW	REVISED -
DATE - 8-1-08	FILE - 060807-lands-det-1.shd

VILLAGE OF WINTHROP HARBOR, ILLINOIS
ILLINOIS ROUTE 137 (SHERIDAN ROAD) AND 7th STREET
STREETSCAPE IMPROVEMENTS

LANDSCAPING DETAILS

SCALE: NONE

STA. TO STA.

F.A.P. 352 ILLINOIS ROUTE 137 (SHERIDAN ROAD)			
F.A.P. RTE.	SECTION	COUNTY	TOTAL SHEET NO.
	06-00036-00-LS	LAKE	70 41
FED. ROAD DIST. NO. 1		CONTRACT NO. 63167	
JOB NO. C-91-197-10	ILLINOIS FED. AID PROJECT ARA-00018101		