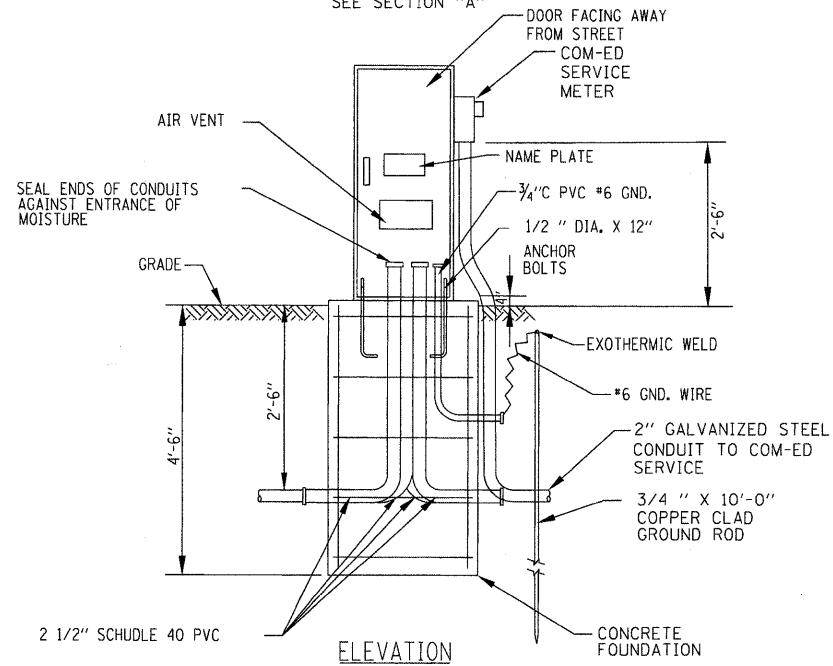
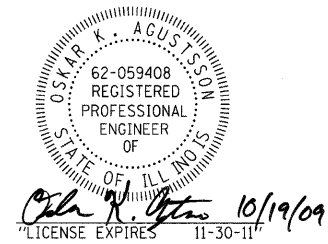


**LIGHTING CONTROLLER No. 1**  
WIRING DIAGRAM



**LIGHTING CONTROLLER AND FOUNDATION DETAIL**  
NO SCALE

ITEM	QTY.	DESCRIPTION
A	1	MAIN CIRCUIT BREAKER, MOLDED CASE, THERMAL MAGNETIC, 2-POLE, 240 V. SINGLE-PHASE, 100A, BOLT-ON TYPE, TRIP INTERRUPTING RATING OF 22,000 RMS SYMMETRICAL AMPERES AT 240 V.
B	1	CONTROL CIRCUIT BREAKER, MOLDED CASE, THERMAL MAGNETIC, SINGLE-POLE, 120 V. SINGLE PHASE 20 A. BOLT-ON TYPE, TRIP INTERRUPTING RATING OF 14,000 RMS SYMMETRICAL AMPERES AT 120 V.
C	1	LIGHTING CONTACTOR MECHANICALLY HELD, SQUARE "D" IVO10600V 200A, 2-POLE, 600 V. WITH 120 COIL OR EQUAL
D	1	CONTROL RELAY CUTLER HAMMER D3PR2 RATED 12 A. AT 120 VAC OR EQUAL
E	1	ON-OFF-AUTO 3-POSITION SELECTOR SWITCH GE CR104P HEAVY DUTY SWITCH, RATED FOR 10 A. AT 600 VAC.
F	1	GFCI RECEPTACLE, 120 V., 20 A. SPEC. GRADE, NEMA CONFIG. 5-20R
G	1	SPDT LIMIT SWITCH WITH SIDE PUSH ROD PLUNGER SQUARE "D" 8B082 RATED 10 A. AT 120 V. OR EQUAL
H	1	60 WATT LIGHT FIXTURE, VAPOR TIGHT, WITH GLOBE, GUARD AND MOUNTING BOX.
I	4	SECONDARY SURGE ARRESTER SQUARE D SDSA1175, 175 VAC PHASE-TO-GROUND MAXIMUM OR EQUAL
J	4	BRANCH CIRCUIT BREAKER, MOLDED CASE, THERMAL MAGNETIC, 2-POLE, 240 V. SINGLE-PHASE, 60A, TRIP INTERRUPTING RATING 22,000 RMS SYMMETRICAL AMPERES AT 240 V.
K	8	TERMINAL BLOCK RATED 600 V., 85 A.
L	1	COPPER NEUTRAL BUS
M	1	COPPER GROUND BUS
N	1	PHOTOCELL



**NOTES**

- CABINET SHALL BE FABRICATED FROM 0.125-INCH SHEET ALUMINUM, ALLOY 5052 FORMED AND ARC WELDED ASSEMBLY WITH NEMA 3R RATING.
- ALL SCREWS AND HARDWARE SHALL BE PLATED, GALVANIZED, OR MADE OF BRASS, ALUMINUM OR STAINLESS STEEL.
- NAME PLATE SHALL HAVE ENGRAVED 0.75-INCH HIGH LETTERS FILLED IN BLACK: LINE ONE "VILLAGE OF WINTHROP HARBOR", LINE TWO "STREET LIGHTING"
- CABINET SHALL BE PRIMED AND PAINTED AS SPECIFIED.
- ELECTRIC UTILITY METER BOX SHALL BE MOUNTED ON THE SIDE OF CONTROL CABINET AS SHOWN ON THE PANEL LAYOUT DIAGRAM.
- THE COMPLETED CONTROLLER AND ALL ELECTRICAL COMPONENTS SHALL BE U.L. LISTED AS AN INDUSTRIAL CONTROL PANEL UNDER UL508, AND SHOULD BE SERVICE ENTRANCE RATED.
- METAL MOUNTING PANEL SHALL BE #10 GAUGE GALVANIZED SHEET STEEL FLANGED BACK 0.75-INCHES I.D. ON 4 SIDES.
- CIRCUIT BREAKERS AND CONTACTOR AND OTHER COMPONENTS SHALL BE MOUNTED ON 0.125-INCH THICK GLASTIC INSULATION BACK PANEL.
- ALL DEVICES SHALL BE FRONT REMOVABLE.
- BUS BAR SHALL HAVE 22 LUG TERMINALS SIZED TO ACCOMMODATE REQUIRED WIRE SIZES. NEUTRAL BUS SHALL BE PAINTED WHITE. GROUND BUS SHALL BE PAINTED GREEN.
- ALL LUGS SHALL BE COPPER SCREWS AND CONNECTORS, SPRING HELD.
- ALL WIRING TERMINATIONS SHALL BE RATED NOT LESS THAN 75 DEGREE CENTIGRADE.
- ALL CONTROL WIRING SHALL BE 600V MACHINE TOOL WIRE TYPE MTW.
- ALL POWER WIRING SHALL BE 600V TYPE RHH/RHW.
- A LAMINATED COPY OF THE CIRCUIT SCHEMATIC DIAGRAM SHALL BE ATTACHED TO THE INSIDE OF THE CONTROLLER.
- ALL 120 VOLT SYSTEM AND ALL CONTROL WIRING SHALL BE #12 AWG STRANDED UNLESS OTHERWISE INDICATED.
- ALL WIRING SHALL BE NEATLY DRESSED AND SUPPORTED.
- SERVICE EQUIPMENT SHALL BE MARKED TO IDENTIFY IT AS BEING SUITABLE FOR USE AS SERVICE EQUIPMENT.

COPYRIGHT © 2009 BY BAXTER & WOODMAN, INC.  
 STATE OF ILLINOIS PROFESSIONAL DESIGN FIRM  
 NO. 06-00036-00-LS  
 DATE 10/19/2009  
 PROJECT VILLAGE OF WINTHROP HARBOR STREETScape IMPROVEMENTS  
 FILE 060807-lighting-details.sht



DESIGNED - OKA	REVISED - IDOT REVIEW 2/19/09
DRAWN - MAC	REVISED - IDOT REVIEW 4/22/09
CHECKED - JTB	REVISED -
DATE - 8-1-08	FILE - 060807-lighting-details.sht

**VILLAGE OF WINTHROP HARBOR, ILLINOIS**  
**ILLINOIS ROUTE 137 (SHERIDAN ROAD) AND 7th STREET**  
**STREETScape IMPROVEMENTS**

**STREET LIGHTING DETAILS**

SCALE: NONE STA. TO STA.

F.A.P. 352 ILLINOIS ROUTE 137 (SHERIDAN ROAD)				
F.A.P. RTE.	SECTION	COUNTY	TOTAL SHEETS	SHEET NO.
06-00036-00-LS	LAKE	70	47	
FED. ROAD DIST. NO. 1			CONTRACT NO. 63167	
JOB NO. C-91-197-10 ILLINOIS FED. AID PROJECT ARA-00D18101				