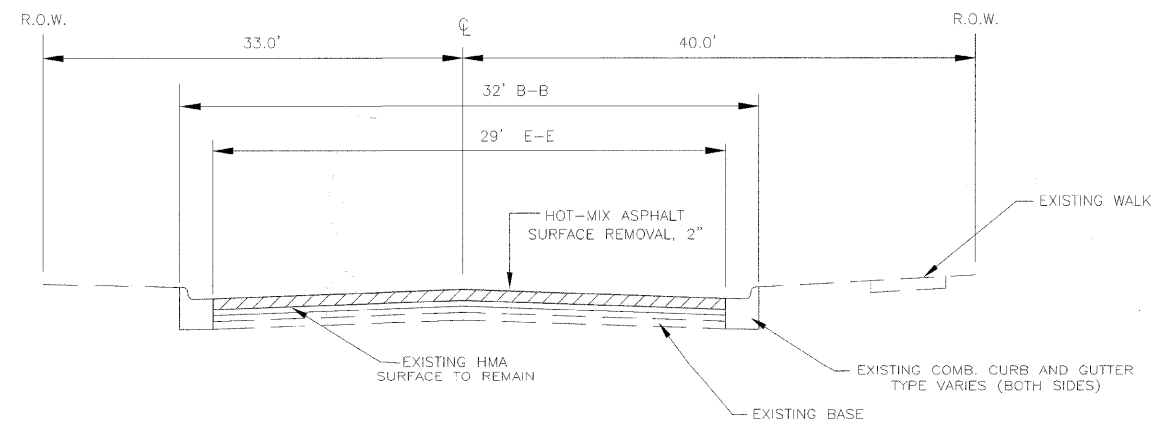


**EXISTING TYPICAL SECTION**  
STA. 00+00 to STA. 8+00, 187th STREET



**EXISTING TYPICAL SECTION**  
STA. 8+00 to STA. 34+50.66, 187th STREET



**VILLAGE OF HOMEWOOD**  
ENGINEERING DIVISION

DESIGNED BY:	D.J.A.
DRAWN BY:	D.J.A.
CHECKED BY:	M.M.

REVISIONS			
NO.	DATE	BY	DESCRIPTION

VILLAGE OF HOMEWOOD  
187th STREET L.A.P.P. PROJECT  
**187th STREET (FAU ROUTE 1624)**  
EXISTING TYPICAL SECTIONS  
DATE: 10-07-09 SCALE: NOT TO SCALE

SHEET  
**4**  
OF 10