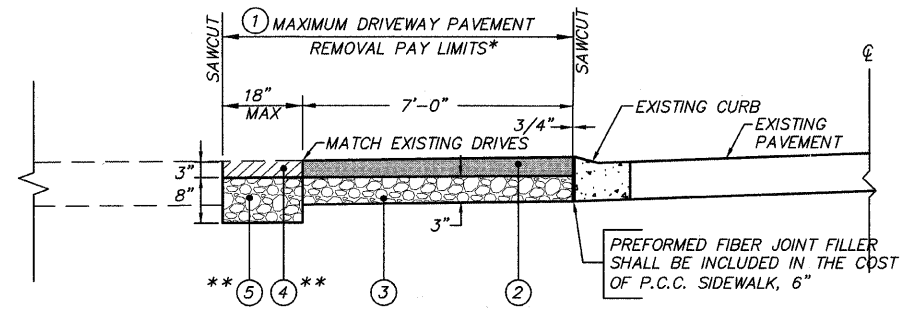


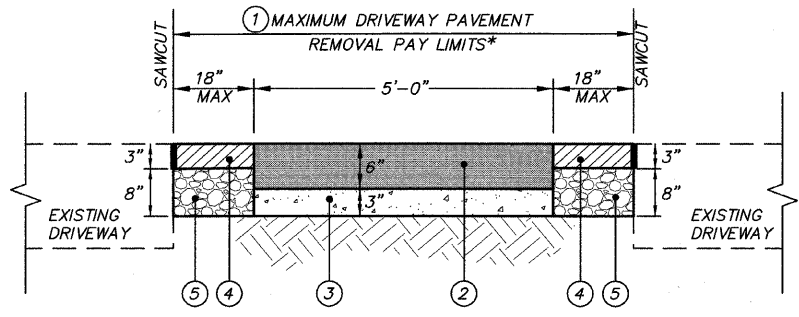
\* PAY ITEM = EARTH EXCAVATION WHERE THERE IS NO EXISTING SIDEWALK  
 = SIDEWALK REMOVAL WHERE THERE IS SIDEWALK.

**TYPICAL PROPOSED SECTION - SIDEWALK THROUGH TURF**  
 NOT TO SCALE



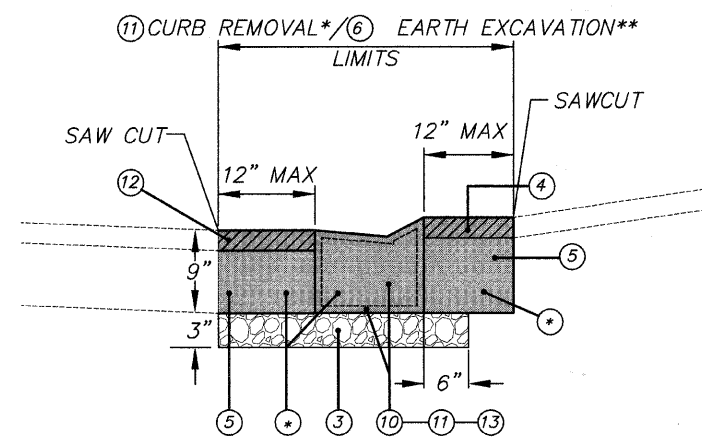
**SIDEWALK ADJACENT TO CURB DETAIL**  
 NOT TO SCALE

\*\* DETAIL SECTION SHOWN IS THROUGH DRIVEWAY FOR SIDEWALK THROUGH TURF REPLACE (4) & (5) WITH (9)

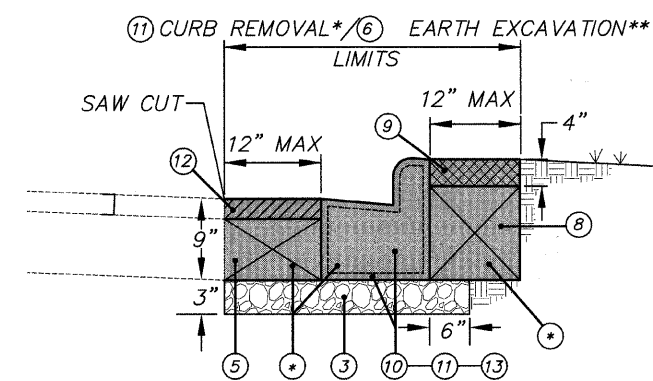


**TYPICAL PROPOSED SECTION - SIDEWALK THROUGH DRIVEWAY**  
 NOT TO SCALE

\* DRIVEWAY PAVEMENT REMOVAL SHALL INCLUDE ALL HMA AND AGGREGATE AND EARTH MATERIALS TO REMOVE AND DISPOSE OF TO THE TOP OF PROPOSED SUBGRADE



**TYPICAL CURB INSTALLATION ADJACENT TO DRIVEWAY**



**TYPICAL CURB INSTALLATION ADJACENT TO LAWN**

\* WHERE EXISTING AND PROPOSED CURB ARE NOT IN SAME ALIGNMENT CURB REMOVAL SHALL BE MEASURED FROM 12 INCHES IN FRONT OF NEW CURB TO 12" IN BACK OF NEW CURB OR TO THE BACK OF THE OLD CURB WHICHEVER IS GREATER.

\*\* PAY ITEM = CURB REMOVAL WHERE THERE IS CURB  
 = EARTH EXCAVATION WHERE THERE IS NO CURB

**Legend**

- (\*) CURB REMOVAL/EARTH EXCAVATION LIMITS SHALL INCLUDE 12 INCHES IN FRONT AND BACK OF NEW CURB TO SUBGRADE ELEVATION; COST OF EXCAVATION/DISPOSAL TO BE INCLUDED IN PRICE OF CURB REMOVAL.
- (1) PROPOSED DRIVEWAY PAVEMENT REMOVAL
- (2) PROPOSED PCC SIDEWALK, 6"
- (3) PROPOSED SUBBASE GRANULAR MATERIAL
- (4) PROPOSED HMA DRIVEWAY PAVEMENT, 3"
- (5) PROPOSED AGGREGATE BASE COURSE, TY B (CRUSHED)
- (6) PROPOSED EARTH EXCAVATION
- (7) PROPOSED PCC SIDEWALK, 5"
- (8) SUITABLE EXCAVATED MATERIAL BACKFILL
- (9) PROPOSED LANDSCAPING:
  - TOPSOIL FURNISH AND PLACE, 3"
  - SEEDING, CLASS 1
  - MULCH, METHOD 3
- (10) EXISTING CURB
- (11) PROPOSED CURB REMOVAL
- (12) a) HOT MIX ASPHALT BINDER COURSE, IL-19.0, N50, 2 1/4"  
 b) HOT MIX ASPHALT SURFACE COURSE, MIX C, N50, 1 1/2"
- (13) PROPOSED COMBINATION CONCRET CURB & GUTTER, TYPB-6.12
- (14) SIDEWALK REMOVAL

**HOT MIX ASPHALT MIXTURE REQUIREMENT**

| MIXTURE TYPE  | AIR VOIDS @ Ndes |
|---|------------------|
| <b>PAVEMENT REPLACEMENT</b>                             |                  |
| HOT-MIX ASPHALT SURFACE COURSE, MIX "C", N50 (IL-9.5mm) | 4% @ 50 GYR      |
| HOT-MIX ASPHALT BINDER COURSE, IL-19.0, N50             | 4% @ 50 GYR      |
| <b>PAVEMENT RESURFACING</b>                             |                  |
| HOT-MIX ASPHALT SURFACE COURSE, MIX "C", N50 (IL-9.5mm) | 4% @ GYR         |
| <b>DRIVEWAYS</b>  |                  |
| HOT-MIX ASPHALT SURFACE COURSE, MIX C, N50 (IL-9.5mm)   | 4% @ GYR         |

THE UNIT WEIGHT USED TO CALCULATE ALL HMA SURFACE MIXTURE QUANTITIES IS 112 LBS/SQ YD/IN.

THE "AC TYPE" FOR POLYMERIZED HMA MIXES SHALL BE "SBS/SBR PG 70-22" AND FOR NON-POLYMERIZED HMA THE "AC TYPE" SHALL BE "PG 64-22" UNLESS MODIFIED BY DISTRICT ONE SPECIAL PROVISIONS. FOR "PERCENT OF RAP" SEE DISTRICT ONE SPECIAL PROVISIONS.