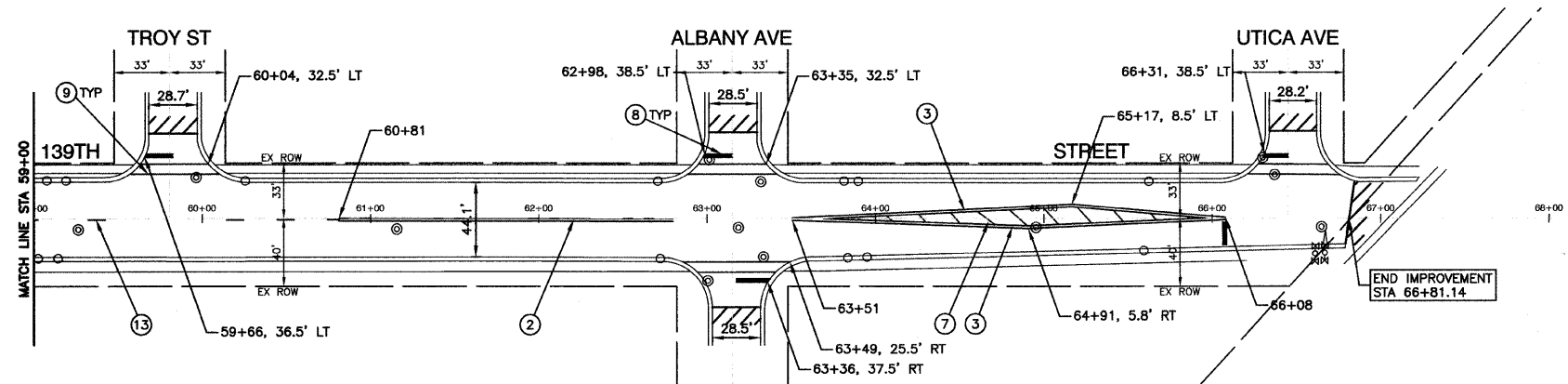
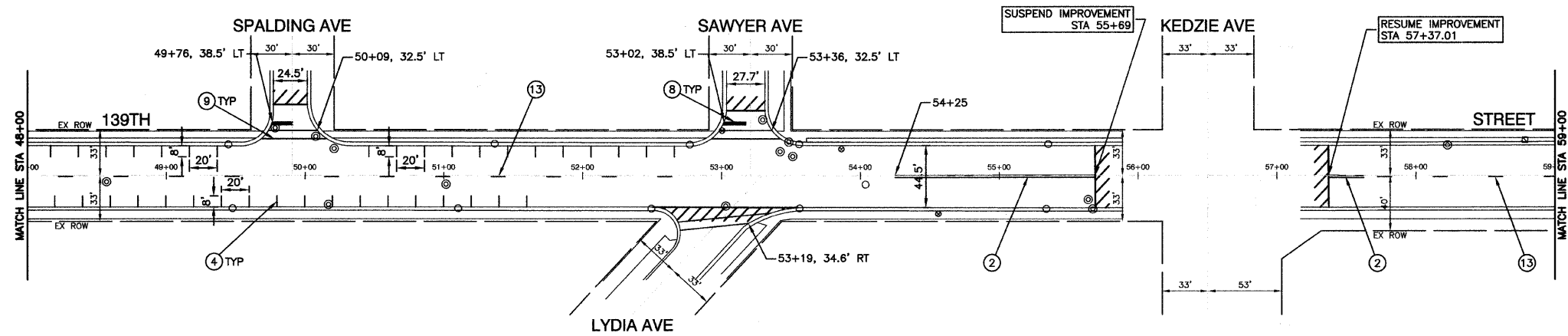
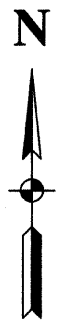


SECTION 2, TOWNSHIP 36, RANGE 13
SECTION 1, TOWNSHIP 36, RANGE 13



PAVEMENT MARKING LEGEND

- ① WHITE LETTERS & SYMBOLS
- ② DOUBLE 4" YELLOW CENTERLINE (11" C/C)
- ③ DOUBLE 4" YELLOW MEDIAN OUTLINE (11" C/C)
- ④ 4" YELLOW LINE
- ⑤ 4" WHITE EDGE LINE
- ⑥ 6" WHITE LANE LINE
- ⑦ 6" WHITE SKIP-DASH LINE (2' LINE - 6' SPACE)
- ⑧ 12" YELLOW DIAGONAL LINE (20' C/C)
- ⑨ 24" WHITE STOP BAR
- ⑩ 6" WHITE CROSSWALK (6' C/C)
- ⑪ 6" WHITE CROSSWALK (10' C/C)
- ⑫ 12" WHITE LINE (45° ANGLE, 20' C/C)
- ⑬ 4" WHITE SKIP - DASH LINE (10' LINE - 30' SPACE)
- ⑭ 4" YELLOW SKIP - DASH LINE (10' LINE - 30' SPACE)
- ◀ ONE-WAY AMBER MARKER
40' C/C UNLESS OTHERWISE INDICATED
- ◀ ONE-WAY CRYSTAL MARKER
80' C/C UNLESS OTHERWISE INDICATED
- ◆ TWO-WAY AMBER MARKER
40' C/C UNLESS OTHERWISE INDICATED
- ◻ TRAFFIC SIGN

FILE NAME = 09209-PLAN-01 - PVM003
USER NAME =
DESIGNED -- PKB
CHECKED -- PKB
DRAWN -- AG/PS
PLOT DATE = 09-18-09

REVISIONS
REVISIONS
REVISIONS
REVISIONS

DESIGNED -- PKB
CHECKED -- PKB
DRAWN -- AG/PS
CHECKED -- AG

REVISIONS
REVISIONS
REVISIONS
REVISIONS

STATE OF ILLINOIS
DEPARTMENT OF TRANSPORTATION

139TH STREET RESURFACING
CRAWFORD AVENUE TO COOPERS GROVE ROAD
STRIPING PLAN
SCALE: 1"=50'
SHEET NO. 9 OF 15 SHEETS
STA. 48+00 TO STA. 66+77.85

F.A.U. RTE.	SECTION	COUNTY	TOTAL SHEETS	SHEET NO.
1598	09-00024-00-RS	COOK	15	9
CONTRACT NO. 63304				
FED. ROAD DIST. NO. 1 ILLINOIS FED. AID PROJECT ARA-0003(428)				