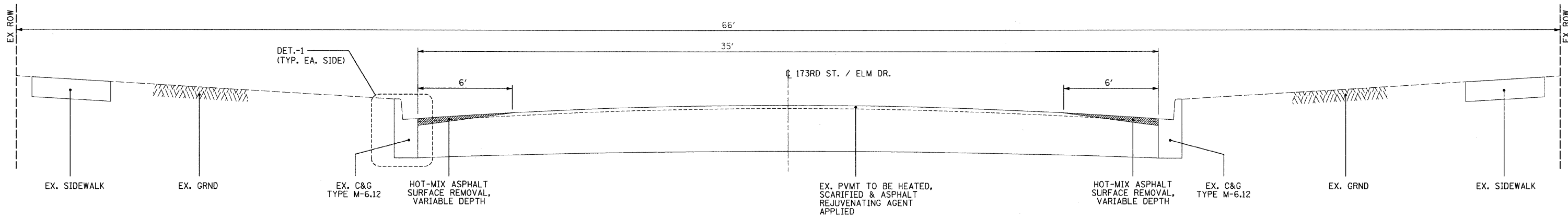
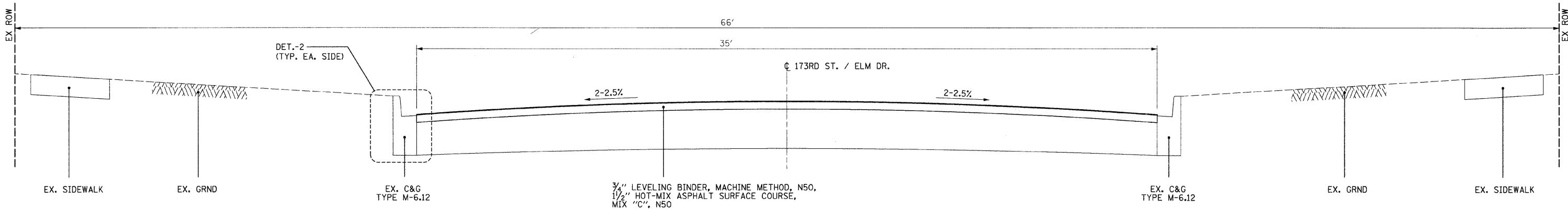


FAU RTE.	SECTION	COUNTY	TOTAL SHEETS	SHEET NO.
1617	09-00077-00-RS	COOK	9	4
STA. ** TO STA. **				
FED. ROAD DIST. NO.		ILLINOIS		



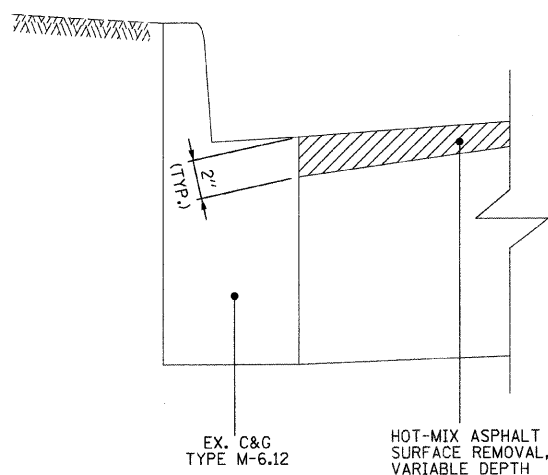
EXISTING TYPICAL SECTION

173RD STREET, KEDZIE AVENUE TO HAZEL LANE AND ELM DRIVE, HAZEL LANE TO LAUREL LANE STA. 0+13 TO STA. 33+55

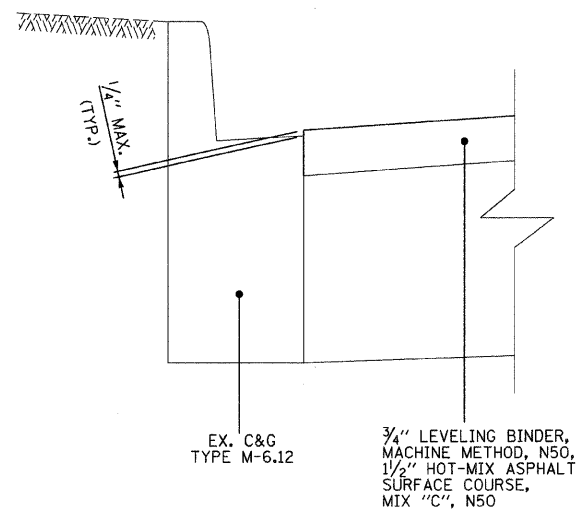


PROPOSED TYPICAL SECTION

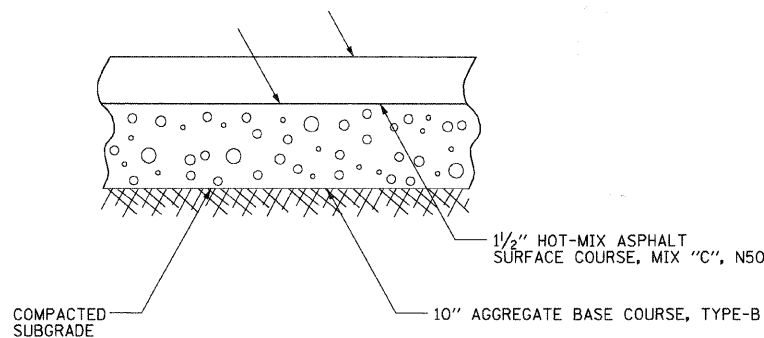
173RD STREET, KEDZIE AVENUE TO HAZEL LANE AND ELM DRIVE, HAZEL LANE TO LAUREL LANE STA. 0+13 TO STA. 33+55



DETAIL-1



DETAIL-2



HOT-MIX ASPHALT DRIVEWAY DETAIL

HOT-MIX ASPHALT MIXTURE REQUIREMENTS

NOTE: THE CONTRACTOR SHALL MILL PAVEMENT SURFACE BEFORE PATCHING.

MIXTURE TYPE	AIR VOIDS
PAVEMENT RESURFACING	
HOT-MIX ASPHALT SURFACE COURSE, MIX "C", N50 (IL-9.5mm); 1 1/2"	4% @ 50 GYR
LEVELING BINDER (MACHINE METHOD), IL 9.5mm, N50; 3/4"	4% @ 50 GYR
PATCHING	
CLASS D PATCHES, 6 INCH (BINDER IL-19 mm)	4% @ 70 GYR
DRIVEWAYS	
HOT-MIX ASPHALT SURFACE COURSE, MIX "C", N50 (IL-9.5mm); 1 1/2"	4% @ 50 GYR

NOTES:

- UNIT WEIGHT USED TO MEASURE ALL HOT-MIX ASPHALT SURFACE COURSE QUANTITY IS 112 LBS/SQ. YD./INCH
- THE "AC TYPE" FOR POLYMERIZED HMA MIXES SHALL BE "SBS/SBR PG 70 -22" AND FOR NON-POLYMERIZED HMA THE "AC TYPE" SHALL BE "PG 64 -22" UNLESS MODIFIED BY DISTRICT ONE SPECIAL PROVISIONS. FOR "PERCENT OF RAP" SEE DISTRICT ONE SPECIAL PROVISIONS.

POROUS GRANULAR EMBANKMENT:

POROUS GRANULAR EMBANKMENT, SUBGRADE HAS BEEN PROVIDED IN THIS CONTRACT FOR USE AT THE LOCATIONS WHERE UNSUITABLE OR UNSTABLE SOILS MIGHT BE ENCOUNTERED DURING CONSTRUCTION AND SHALL NEED TO BE REMOVED AND REPLACED BY THIS MATERIAL. THE ACTUAL NEED FOR THIS WORK SHALL BE DETERMINED BY THE ENGINEER AT THE SITE(S). THE REQUIRED MATERIAL, METHOD OF MEASUREMENT AND BASIS OF PAYMENT FOR THIS WORK IS DESCRIBED ELSEWHERE IN THE CONTRACT AND PAYMENT WILL BE MADE FOR ONLY THE ACTUAL QUANTITY USED IN THE PROJECT WITHOUT ANY PRICE ADJUSTMENT FOR A CHANGE IN ITS QUANTITY. IF UNSUITABLE OR UNSTABLE SOILS ARE NOT ENCOUNTERED THEN THE QUANTITY OF THIS MATERIAL WILL BE DELETED FROM THE CONTRACT WITHOUT ANY PAYMENT DUE TO THE CONTRACTOR.

CIVIL / STRUCTURAL ENGINEERS



GLOBETROTTERS INTERNATIONAL
300 SOUTH WACKER DRIVE, SUITE 200
CHICAGO, IL. 60606

REVISIONS	
NAME	DATE

TYPICAL CROSS SECTIONS

HAZEL CREST, IL

SCALE: VERT. NONE
HORIZ. NONE
DATE 10/15/09

DRAWN BY BS
CHECKED BY NC