

INDEX OF SHEETS

SHEET NO.	SHEET NAME
1	COVER
2	GENERAL NOTES & LIST OF HIGHWAY STANDARDS
3	SUMMARY OF QUANTITIES
4	TYPICAL CROSS SECTIONS AND DETAILS
5	173RD STREET, ELM DRIVE PLANS
6	ELM DRIVE PLAN
7	CURB OR CURB AND GUTTER REMOVAL AND REPLACEMENT, BD-24, DISTRICT ONE
8	BUTT JOINT AND HMA TAPER DETAILS, BD-32, DISTRICT ONE
9	DISTRICT ONE, TYPICAL PAVEMENT MARKINGS, TC-13

STATE OF ILLINOIS
DEPARTMENT OF TRANSPORTATION
DIVISION OF HIGHWAYS
**PLANS FOR PROPOSED
FEDERAL AID HIGHWAY**
VILLAGE OF HAZEL CREST
FAU 1617 (173RD ST. AND ELM DR.),
FROM KEDZIE AVENUE TO LAUREL LANE
PAVEMENT RESURFACING
COOK COUNTY
SECTION 09-00077-00-RS
PROJECT ARA-9003 (342)
C-91-659-09

FAU RTE.	SECTION	COUNTY	TOTAL SHEETS	SHEET NO.
1617	09-00077-00-RS	COOK	9	1
STA.		TO STA.		
FED. ROAD DIST. NO.		ILLINOIS		



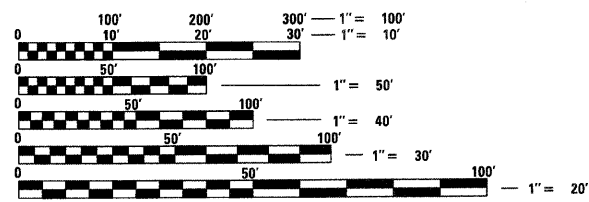
GLOBETROTTERS ENGINEERING CORP.: CHANDRA S. TRIVEDI (312)697-3580

FIELD ENGINEER : MEL MANCOBA (847) 705-4408

**PROJECT LOCATED IN
VILLAGE OF HAZEL CREST**

**DESIGN DESIGNATION:
390(28) COLLECTOR 2.51 (HMA8)**

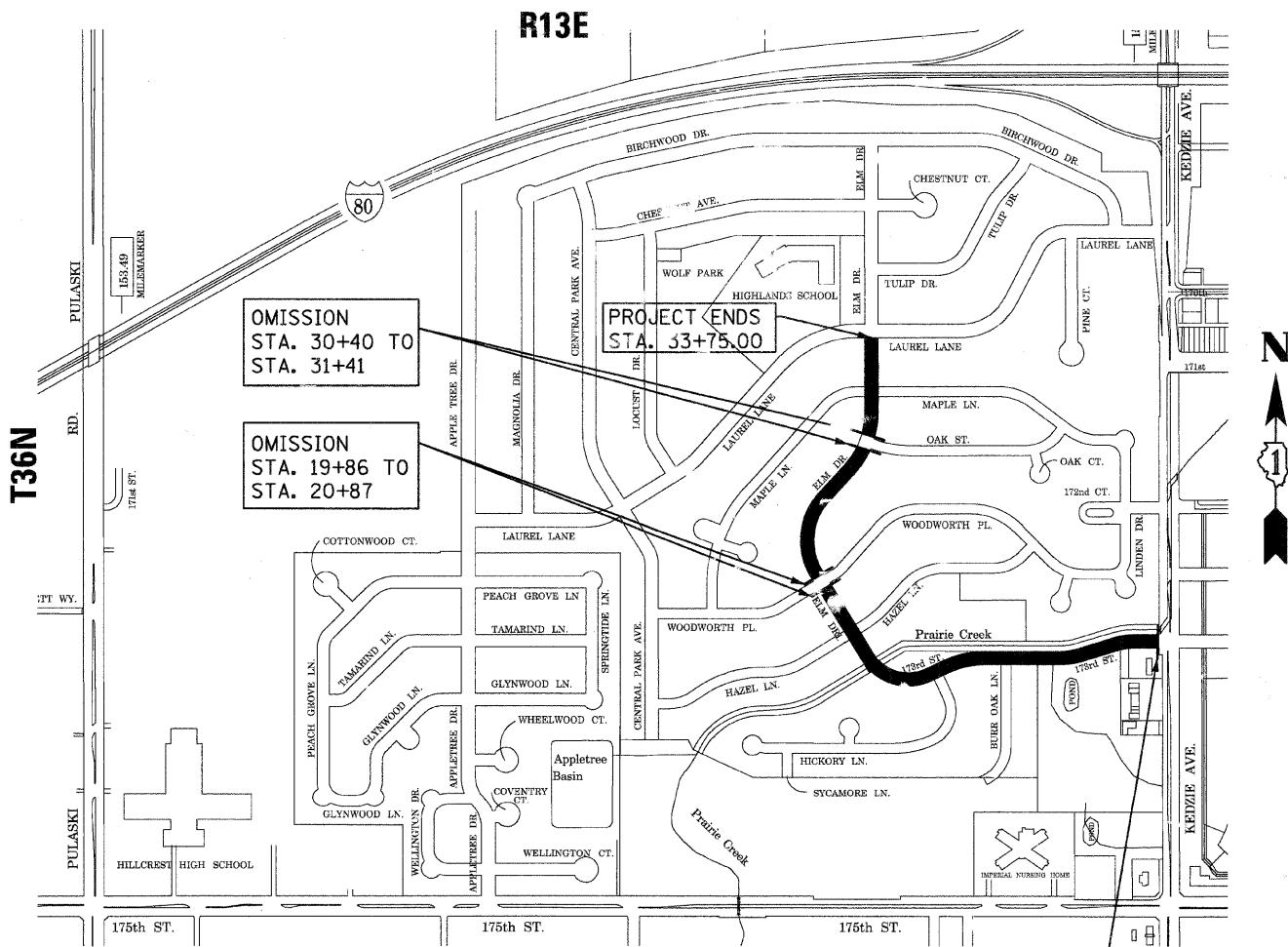
**TRAFFIC DATA:
ADT=375**
SPEED LIMIT ON 173RD STREET / ELM DRIVE - 25 MPH



FULL SIZE PLANS HAVE BEEN PREPARED USING STANDARD ENGINEERING SCALES. REDUCED SIZED PLANS WILL NOT CONFORM TO STANDARD SCALES. IN MAKING MEASUREMENTS ON REDUCED PLANS, THE ABOVE SCALES MAY BE USED.

J.U.L.I.E.
JOINT UTILITY LOCATION INFORMATION FOR EXCAVATION
1-800-892-0123

CONTRACT NO. 63308



LOCATION MAP
N.T.S.

GROSS LENGTH OF PROJECT = 3,375.00 FT = 0.64 MILE
NET LENGTH OF PROJECT = 3,175.00 FT = 0.60 MILE

PROJECT BEGINS
STA. 1+13.00

OMISSION
STA. 30+40 TO
STA. 31+41

OMISSION
STA. 19+86 TO
STA. 20+87

PROJECT ENDS
STA. 33+75.00

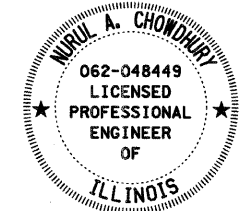


**STATE OF ILLINOIS
DEPARTMENT OF TRANSPORTATION
DIVISION OF HIGHWAYS**

Approved: Robert Donaldson 10/22/2009 DATE
ROBERT D. DONALDSON, Mayor
Village President, Village of Hazel Crest

Passed: OCTOBER 27, 2009 DATE
C. Hecht
District 1 Engineer of Local Roads & Streets

Releasing for Bid
Based on Limited
Review: OCTOBER 29, 2009 DATE
Diana M. O'Keefe
Deputy Director of Highways, Region 1 Engineer



LICENSE EXPIRATION DATE: 11/30/09

PRINTED BY AUTHORITY OF THE STATE OF ILLINOIS

FAU RTE.	SECTION	COUNTY	TOTAL SHEETS	SHEET NO.
1617	09-00077-00-RS	COOK	9	2
STA. N/A		TO STA. N/A		
FED. ROAD DIST. NO.		ILLINOIS		

GENERAL NOTES:

- THIS PROJECT WILL BE CONSTRUCTED IN ACCORDANCE WITH THE ILLINOIS DEPARTMENT OF TRANSPORTATION "STANDARD SPECIFICATIONS FOR ROAD AND BRIDGE CONSTRUCTION, ADOPTED JANUARY 1, 2007", THE LATEST EDITION OF THE "MANUAL ON UNIFORM TRAFFIC CONTROL DEVICES FOR STREETS AND HIGHWAYS", THE "MANUAL OF TEST PROCEDURES OF MATERIALS" IN EFFECT ON THE DATE OF INVITATION OF BIDS, AND THE "SUPPLEMENTAL SPECIFICATIONS AND RECURRING SPECIAL PROVISIONS" INDICATED ON THE CHECK SHEET INCLUDED IN THE CONTRACT'S SPECIFICATIONS, WHICH APPLY TO AND GOVERN THE CONSTRUCTION OF MFT 09-00077-00-RS.
- THE TERM "VILLAGE" USED HEREIN IN REFERENCE TO NOTIFICATION(S) BY OR PERMIT(S)/PERMISSION(S) TO BE OBTAINED BY THE CONTRACTOR SHALL MEAN THE MUNICIPAL OFFICIAL DULY DESIGNATED BY THE VILLAGE BOARD FOR THE PURPOSE. THE CONTRACTOR SHALL CONTACT THE VILLAGE MANAGER'S OFFICE AT (708) 335-9600 TO GET THE NAME(S) AND CONTACT INFORMATION OF SUCH DESIGNATED OFFICIALS/STAFF.
- A MINIMUM OF TWO (2) WORKING DAYS BEFORE STARTING EXCAVATION, THE CONTRACTOR SHALL CONTACT JULIE (1-800-892-0123) TO HAVE THE LOCATION OF EXISTING UNDERGROUND UTILITIES STAKED OR OTHERWISE MARKED AT THE SITE.
- IF AND WHEN EXISTING DRAINAGE FACILITIES ARE DISTURBED BY PROPOSED CONSTRUCTION, THE CONTRACTOR SHALL PROVIDE AND MAINTAIN TEMPORARY OUTLETS AND CONNECTIONS FOR ALL PRIVATE AND PUBLIC DRAINS, SEWERS OR CATCH BASINS, AND PROVIDE ADEQUATE FACILITIES TO TAKE IN ALL STORM WATER INCLUDING PUMPING AND A TEMPORARY OUTLET, IF NECESSARY. THIS WORK SHALL NOT BE PAID FOR DIRECTLY, BUT WILL BE CONSIDERED INCIDENTAL TO THE CONTRACT.
- ALL UTILITIES AND THE ASSOCIATED DATA SHOWN ON THE PLANS ARE FROM THE AVAILABLE RECORDS AND REPRESENT THE BEST AVAILABLE INFORMATION. HOWEVER, THEIR ACCURACY OR COMPLETENESS IS NOT GUARANTEED. IT SHALL REMAIN THE CONTRACTOR'S RESPONSIBILITY TO CONTACT JULIE (1-800-892-0123) AND VARIOUS UTILITY FIRMS AND/OR ORGANIZATIONS HAVING FACILITIES AT THE SITE TO DETERMINE THEIR ACTUAL LOCATIONS, AND OTHER DETAILS, AND DETERMINE WHETHER THEY ARE IN CONFLICT WITH THE PROPOSED WORK. THE CONTRACTOR SHALL BRING ALL SUCH CONFLICTS TO THE ENGINEER'S ATTENTION AND SHALL NOT PROCEED WITH THE PORTION OF THE WORK IN CONFLICT UNTIL THE RESOLUTION OF THE CONFLICT(S) AND THE AUTHORIZATION TO PROCEED.
- THE CONTRACTOR SHALL BE RESPONSIBLE FOR THE PROTECTION OF ALL EXISTING UNDERGROUND UTILITIES WITHIN THE PROJECT LIMITS, WHETHER OR NOT SUCH UTILITIES ARE SHOWN ON THE PLANS. ANY UTILITY DAMAGED DURING CONSTRUCTION, SHALL BE REPAIRED OR REPLACED TO THE SATISFACTION OF THE RESPECTIVE UTILITY, BY THE CONTRACTOR WITHOUT ANY ADDITIONAL COMPENSATION.
- THE CONTRACTOR SHALL MAKE EVERY POSSIBLE EFFORT TO PREVENT CONSTRUCTION DEBRIS FROM ENTERING EXISTING MANHOLES, CATCH BASINS, INLETS OR DRAINAGE DITCHES. ANY SUCH DEBRIS, DETERMINED BY THE VILLAGE TO BE PRESENT IN SUCH STRUCTURES DUE TO THE CONTRACTOR'S OPERATIONS SHALL BE PROMPTLY REMOVED AND DISPOSED OFF BY THE CONTRACTOR TO THE VILLAGE'S SATISFACTION AT NO ADDITIONAL COMPENSATION.
- ALL REMOVAL OF CURB AND GUTTER, SIDEWALK, DRIVEWAYS AND PAVEMENT ETC. SHALL BE BY SAWCUTTING TO ENSURE A CLEAN REMOVAL WITHOUT DAMAGING OR GAUGING THE PORTION(S) TO REMAIN. ALL SUCH DAMAGE OR GAUGING SHALL BE REPAIRED BY THE CONTRACTOR TO THE VILLAGE'S SATISFACTION WITHOUT ANY ADDITIONAL COMPESATION. THE SAWCUTTING SHALL NOT BE COMPENSATED FOR SEPARATELY BUT SHALL BE INCLUDED IN THE CONTRACT UNIT PRICE FOR THE REMOVAL OF THE ITEM INVOLVED.
- THE CONTRACTOR SHALL MAINTAIN AT ALL TIMES ADEQUATE ACCESS TO ALL PROPERTIES ADJACENT TO THE PROPOSED IMPROVEMENT. THE COST OF THIS WORK SHALL NOT BE COMPENSATED FOR SEPARATELY BUT SHALL BE INCLUDED IN THE UNIT BID PRICE FOR VARIOUS REMOVAL ITEMS.
- THE CONTRACTOR SHALL PROVIDE ADEQUATE PROVISIONS FOR PEDESTRIAN TRAFFIC THROUGH THE CONSTRUCTION AREA AT ALL TIMES AND SEEK THE VILLAGE'S PERMISSION FOR ANY UNAVOIDABLE OBSTRUCTION(S) TO SUCH TRAFFIC.
- LOCAL ACCESS ON ALL SECONDARY STREETS MUST BE MAINTAINED AT ALL TIMES BY THE CONTRACTOR WHEN CONSTRUCTION IS NOT TAKING PLACE AT SUCH LOCATION. ALL TRAFFIC OBSTRUCTIONS TO SUCH STREETS SHALL BE REMOVED ON WEEKENDS, HOLIDAYS AND OVERNIGHT, UNLESS SPECIFICALLY AND EXPLICITLY PERMITTED BY THE VILLAGE.

- REMOVAL AND STABILIZATION OF UNSTABLE MATERIAL DURING BASE REPAIR: THIS WORK, IF REQUIRED, SHALL BE DONE IN ACCORDANCE WITH THE SPECIAL PROVISION TITLED POROUS GRANULAR EMBANKMENT, SUBGRADE INCLUDED IN THE CONTRACT, SUBJECT TO THE FOLLOWING: "POROUS GRANULAR EMBANKMENT, SUBGRADE" (PGES) HAS BEEN PROVIDED FOR THE USE AT THE LOCATIONS INDICATED FOR SOILS THAT TEND TO BE UNSTABLE. THE ACTUAL NEED FOR REMOVAL AND REPLACEMENT WITH PGES WILL BE DETERMINED IN THE FIELD AT THE TIME OF CONSTRUCTION BY THE GEOTECHNICAL ENGINEER. ALL POTENTIALLY UNSTABLE SOILS SHOULD BE TESTED WITH STATIC CONE PENETROMETER AND TREATED IN ACCORDANCE WITH ARTICLE 301.03 AND THE UNDERCUT GUIDELINES IN THE IDOT SUBGRADE STABILITY MANUAL. IF UNSTABLE MATERIAL IS NOT ENCOUNTERED AT THE SITE, THEN THE QUANTITY OF THIS ITEM WILL BE DEDUCTED FROM THE CONTRACT AND NO COMPENSATION FOR THIS ITEM WILL BE DUE TO THE CONTRACTOR.

IDOT STANDARDS

STANDARD NO.	NAME OF STANDARD
424001-05	CURB RAMPS FOR SIDEWALKS
442201-03	CLASS C & D PATCHES
602011-01	CATCH BASIN TYPE C
602701-02	MANHOLE STEPS
604001-03	FRAME AND LIDS TYPE 1
606001-04	CONCRETE CURB TYPE B AND COMBINATION CONCRETE CURB AND GUTTER
701301-03	LANE CLOSURE 2L, 2W SHORT TIME OPERATION
701501-05	URBAN LANE CLOSURE, 2L, 2W, UNDIVIDED
701801-04	URBAN LANE CLOSURE, MULTILANE 1W OR 2W CROSSWALK OR SIDEWALK CLOSURE
701901-01	TRAFFIC CONTROL DEVICES
780001-02	TYPICAL PAVEMENT MARKINGS

DISTRICT 1 DETAILS

CURB OR CURB AND GUTTER REMOVAL AND REPLACEMENT, BD-24, DISTRICT ONE
 BUTT JOINT AND HMA TAPER DETAILS, BD-32, DISTRICT ONE
 DISTRICT ONE, TYPICAL PAVEMENT MARKINGS, TC-13

REVISIONS	
NAME	DATE

GENERAL NOTES

HAZEL CREST, IL

SCALE: VERT. NONE
 HORIZ. NONE
 DATE 10/15/09

DRAWN BY BS
 CHECKED BY NC

CIVIL / STRUCTURAL ENGINEERS



GLOBETROTTERS INTERNATIONAL,
 300 SOUTH WACKER DRIVE, SUITE 200
 CHICAGO, IL. 60606

FAU RTE.	SECTION	COUNTY	TOTAL SHEETS	SHEET NO.
1617	09-00077-00-RS	COOK	9	3
STA.	N/A	TO STA.	N/A	
FED. ROAD DIST. NO.	ILLINOIS			

SUMMARY OF QUANTITIES

CODED ITEM NUMBER	ITEM DESCRIPTION	UNIT	TOTAL QUANTITY	QUANTITY 1000	NON PARTICIPATING 100% VILAGE OF HAZEL CREST
20200100	EARTH EXCAVATION	CU YD	50	50	
20700420	POROUS GRANULAR EMBANKMENT, SUBGRADE	CU YD	50	50	
40600100	BITUMINOUS MATERIALS (PRIME COAT)	GALLON	1,900	1,900	
40600625	LEVELING BINDER (MACHINE METHOD), N50	TON	570	570	
40600982	HOT-MIX ASPHALT SURFACE REMOVAL - BUTT JOINT	SQ YD	910	910	
40603310	HOT-MIX ASPHALT, SURFACE COURSE, MIX "C", N50	TON	1,185	1,185	
42300300	PORTLAND CEMENT CONCRETE DRIVEWAY PAVEMENT, 7 INCH	SQ YD	60	60	
42400200	PORTLAND CEMENT CONCRETE SIDEWALK 5 INCH	SQ FT	750	750	
42400800	DETECTABLE WARNINGS	SQ FT	300	300	
44000198	HOT-MIX ASPHALT SURFACE REMOVAL, VARIABLE DEPTH	SQ YD	4,200	4,200	
44000200	DRIVEWAY PAVEMENT REMOVAL	SQ YD	60	60	
44000600	SIDEWALK REMOVAL	SQ FT	750	750	
44001700	COMBINATION CONCRETE CURB AND GUTTER REMOVAL AND REPLACEMENT	FOOT	900	900	
44201713	CLASS D PATCHES, TYPE I, 6 INCH	SQ YD	24	24	
44201717	CLASS D PATCHES, TYPE II, 6 INCH	SQ YD	50	50	
44201721	CLASS D PATCHES, TYPE III, 6 INCH	SQ YD	115	115	
44201723	CLASS D PATCHES, TYPE IV, 6 INCH	SQ YD	805	805	
60206905	CATCH BASINS, TYPE C, TYPE 1 FRAME, OPEN LID	EACH	1	1	
60255500	MANHOLES TO BE ADJUSTED	EACH	1	1	
60300310	FRAMES AND LIDS TO BE ADJUSTED (SPECIAL)	EACH	6	6	
60403600	GRATES, SPECIAL	EACH	17		17
60500050	REMOVING CATCH BASINS	EACH	1	1	
67100100	MOBILIZATION	L SUM	1	1	
70102620	TRAFFIC CONTROL AND PROTECTION, STANDARD 701501	L SUM	1	1	
70102640	TRAFFIC CONTROL AND PROTECTION, STANDARD 701801	L SUM	1	1	
* 78000200	THERMOPLASTIC PAVEMENT MARKING - LINE 4"	FOOT	925	925	
* 78000650	THERMOPLASTIC PAVEMENT MARKING - LINE 24"	FOOT	75	75	
* 78001180	PAINT PAVEMENT MARKING - LINE 24"	FOOT	20	20	
X0322052	ASPHALT REJUVENATING AGENT	GALLON	1,260	1,260	
X0324096	HOT IN-PLACE RECYCLING	SQ YD	12,510	12,510	
XX006947	HOT-MIX ASPHALT DRIVEWAY REMOVAL AND REPLACEMENT	SQ YD	275	275	

* DENOTES SPECIALTY ITEMS

SCHEDULE - PCC SIDEWALK REMOVAL AND REPLACEMENT

LOCATION		SIDEWALK REMOVAL AND REPLACEMENT SQ. FT.	DETECTABLE WARNINGS SQ. FT.
INTERSECTION	CORNER		
BURR-OAK LANE	SW	45	16
	SE	60	35
HICKORY LANE	SE	90	35
	SW	80	30
HAZEL LANE	NE	50	16
	NW	60	16
	SW	55	25
	SE	0	0
WOODWORTH PLACE	NE	0	0
	NW	0	0
	SW	40	15
	SE	30	15
OAK STREET	NE	50	16
	SE	50	16
MAPLE LANE	NE	55	20
	NW	25	16
	SW	30	16
	SE	30	10

SCHEDULE - DRIVEWAY REMOVAL AND REPLACEMENT

ADDRESS	DRIVEWAY AREAS, SQ. YDS	
	PCC	HMA
173rd STREET		
3321	20.00	
3409		25.50
ELM DRIVE		
17205		24.50
17204	13.50	
17202		30.00
17201		22.00
17119		19.00
17118		17.00
17117	23.00	
17116		16.00
17115		16.00
17112		25.00
17110		22.00
17109		17.00
17108		22.00
17107		15.00

P:\oad\MS\0\Plt\Drivers\ace-grajic\obj\tbl

P:\oad\MS\0\Plt\Drivers\ace-grajic\obj\tbl

CIVIL / STRUCTURAL ENGINEERS



GLOBETROTTERS INTERNATIONAL
300 SOUTH WACKER DRIVE, SUITE 200
CHICAGO, IL. 60606

REVISIONS	
NAME	DATE

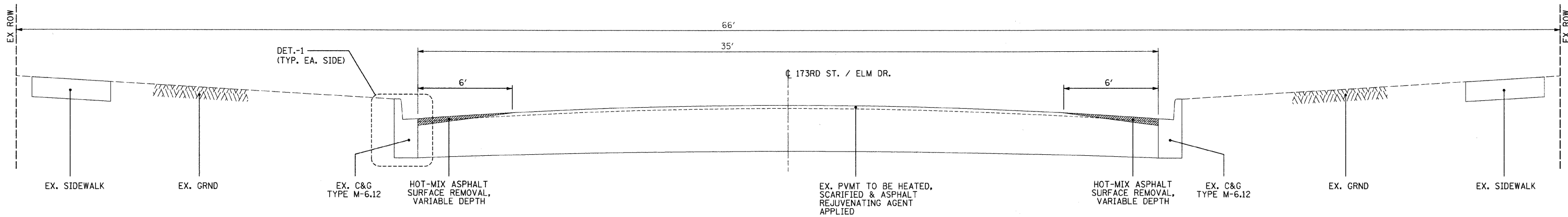
SUMMARY OF QUANTITIES

HAZEL CREST, IL

SCALE: VERT. NONE
HORIZ. NONE
DATE 10/15/09

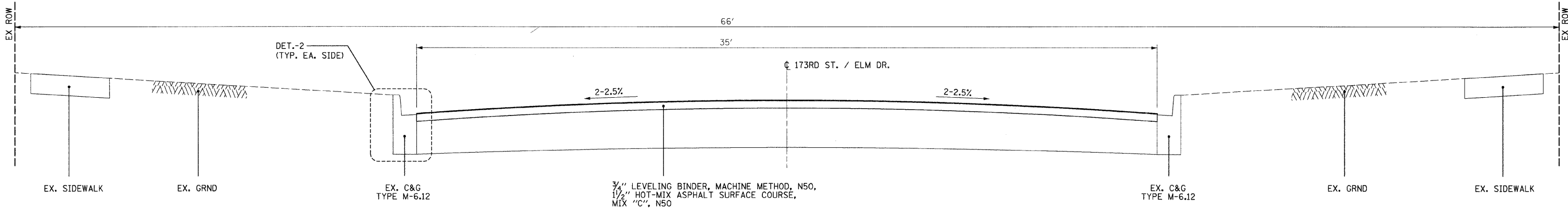
DRAWN BY BS
CHECKED BY NC

FAU RTE.	SECTION	COUNTY	TOTAL SHEETS	SHEET NO.
1617	09-00077-00-RS	COOK	9	4
STA. ** TO STA. **				
FED. ROAD DIST. NO.		ILLINOIS		



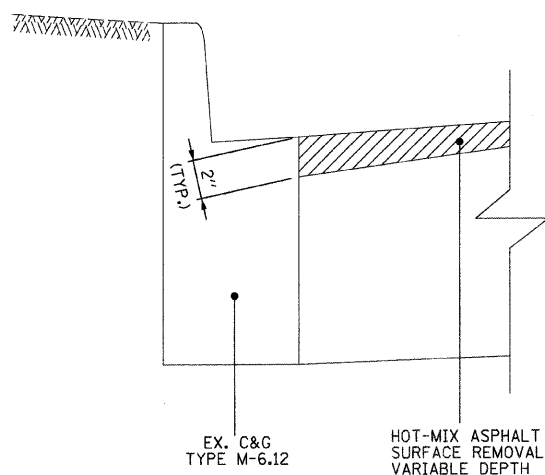
EXISTING TYPICAL SECTION

173RD STREET, KEDZIE AVENUE TO HAZEL LANE AND ELM DRIVE, HAZEL LANE TO LAUREL LANE STA. 0+13 TO STA. 33+55

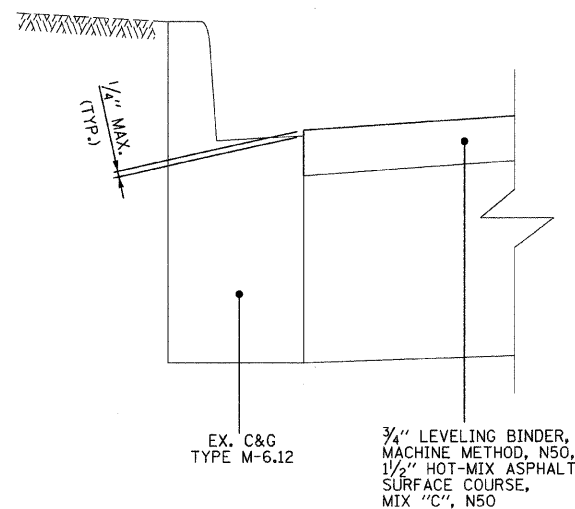


PROPOSED TYPICAL SECTION

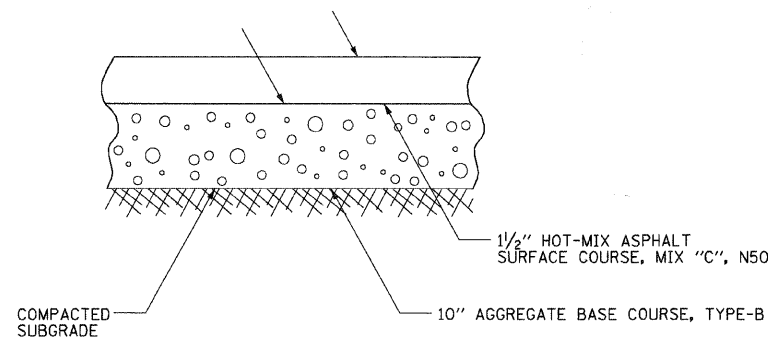
173RD STREET, KEDZIE AVENUE TO HAZEL LANE AND ELM DRIVE, HAZEL LANE TO LAUREL LANE STA. 0+13 TO STA. 33+55



DETAIL-1



DETAIL-2



HOT-MIX ASPHALT DRIVEWAY DETAIL

HOT-MIX ASPHALT MIXTURE REQUIREMENTS

NOTE: THE CONTRACTOR SHALL MILL PAVEMENT SURFACE BEFORE PATCHING.

MIXTURE TYPE	AIR VOIDS
PAVEMENT RESURFACING	
HOT-MIX ASPHALT SURFACE COURSE, MIX "C", N50 (IL-9.5mm); 1 1/2"	4% @ 50 GYR
LEVELING BINDER (MACHINE METHOD), IL 9.5mm, N50; 3/4"	4% @ 50 GYR
PATCHING	
CLASS D PATCHES, 6 INCH (BINDER IL-19 mm)	4% @ 70 GYR
DRIVEWAYS	
HOT-MIX ASPHALT SURFACE COURSE, MIX "C", N50 (IL-9.5mm); 1 1/2"	4% @ 50 GYR

NOTES:

- UNIT WEIGHT USED TO MEASURE ALL HOT-MIX ASPHALT SURFACE COURSE QUANTITY IS 112 LBS/SQ. YD./INCH
- THE "AC TYPE" FOR POLYMERIZED HMA MIXES SHALL BE "SBS/SBR PG 70 -22" AND FOR NON-POLYMERIZED HMA THE "AC TYPE" SHALL BE "PG 64 -22" UNLESS MODIFIED BY DISTRICT ONE SPECIAL PROVISIONS. FOR "PERCENT OF RAP" SEE DISTRICT ONE SPECIAL PROVISIONS.

POROUS GRANULAR EMBANKMENT:

POROUS GRANULAR EMBANKMENT, SUBGRADE HAS BEEN PROVIDED IN THIS CONTRACT FOR USE AT THE LOCATIONS WHERE UNSUITABLE OR UNSTABLE SOILS MIGHT BE ENCOUNTERED DURING CONSTRUCTION AND SHALL NEED TO BE REMOVED AND REPLACED BY THIS MATERIAL. THE ACTUAL NEED FOR THIS WORK SHALL BE DETERMINED BY THE ENGINEER AT THE SITE(S). THE REQUIRED MATERIAL, METHOD OF MEASUREMENT AND BASIS OF PAYMENT FOR THIS WORK IS DESCRIBED ELSEWHERE IN THE CONTRACT AND PAYMENT WILL BE MADE FOR ONLY THE ACTUAL QUANTITY USED IN THE PROJECT WITHOUT ANY PRICE ADJUSTMENT FOR A CHANGE IN ITS QUANTITY. IF UNSUITABLE OR UNSTABLE SOILS ARE NOT ENCOUNTERED THEN THE QUANTITY OF THIS MATERIAL WILL BE DELETED FROM THE CONTRACT WITHOUT ANY PAYMENT DUE TO THE CONTRACTOR.

CIVIL / STRUCTURAL ENGINEERS



GLOBETROTTERS INTERNATIONAL
300 SOUTH WACKER DRIVE, SUITE 200
CHICAGO, IL. 60606

REVISIONS	
NAME	DATE

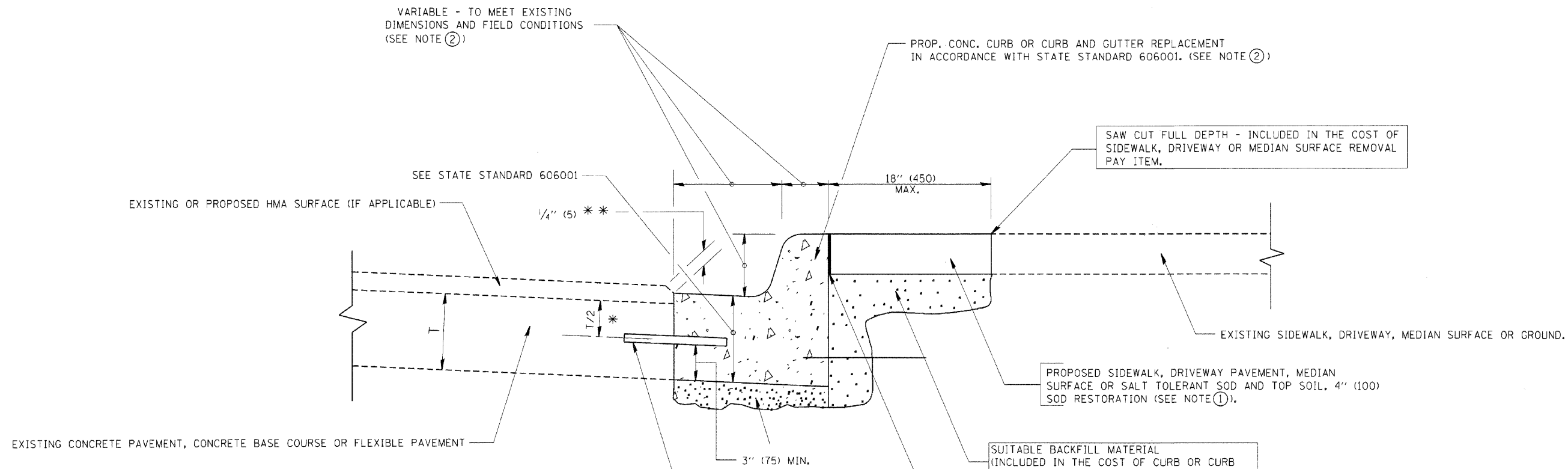
TYPICAL CROSS SECTIONS

HAZEL CREST, IL

SCALE: VERT. NONE
HORIZ. NONE
DATE 10/15/09

DRAWN BY BS
CHECKED BY NC

FAU RTE.	SECTION	COUNTY	TOTAL SHEETS	SHEET NO.
1617	09-00077-00-RS	COOK	9	7
STA.		TO STA.		
FED. ROAD DIST. NO.		ILLINOIS		



- * 3" (75) MINIMUM FROM TOP AND BOTTOM OF THE CONCRETE PAVEMENT OR BASE COURSE.
- * * IF THE FINAL SURFACE OF THE PAVEMENT IS CONCRETE, THE GUTTER IS TO BE FLUSH WITH THE PAVEMENT.

NOTE: ① SIDEWALK, DRIVEWAY PAVEMENT OR MEDIAN SURFACE SHALL BE SIMILAR TO THE MATERIAL BEING REMOVED AND WILL BE PAID FOR SEPARATELY.

SALT TOLERANT SOD AND TOP SOIL, 4" (100) RESTORATION WILL NOT BE PAID FOR SEPARATELY, BUT SHALL BE INCLUDED IN THE COST OF CURB OR CURB AND GUTTER REMOVAL AND REPLACEMENT.

- ② CURB OR CURB AND GUTTER REPLACEMENT SHALL MATCH THE SHAPE OF THE EXISTING CURB OR CURB AND GUTTER UNLESS OTHERWISE SPECIFIED.
- ③ FOR CURB OR CURB AND GUTTER REMOVAL AND REPLACEMENT ADJACENT TO FLEXIBLE PAVEMENT DELETE EPOXY COATED TIE BARS.
- ④ LONGITUDINAL BARS, IF ENCOUNTERED IN THE EXISTING CURB OR CURB AND GUTTER, ARE NOT TO BE REPLACED. CUTTING AND REMOVING LONGITUDINAL BARS SHALL BE INCLUDED IN THE COST OF CURB OR CURB AND GUTTER REMOVAL AND REPLACEMENT.
- ⑤ THE COST OF HMA SURFACE REMOVAL IN THE EXISTING GUTTER FLAG SHALL BE INCLUDED IN THE COST OF THE CURB AND GUTTER REMOVAL AND REPLACEMENT.
- ⑥ THE REMOVAL AND REPLACEMENT OF THE EXISTING CURB OR CURB AND GUTTER SHALL BE DONE IN ACCORDANCE WITH THE APPLICABLE PORTIONS OF SECTION 440 AND 606 OF THE STANDARD SPECIFICATIONS.
- ⑦ THE LOCATIONS OF REMOVAL AND REPLACEMENT OF EXISTING CURB OR CURB AND GUTTER SHALL BE DETERMINED BY THE RESIDENT ENGINEER AT THE TIME OF CONSTRUCTION.

UNSUITABLE SUB-BASE MATERIAL TO BE REMOVED, IF DIRECTED BY THE ENGINEER, SHALL BE REPLACED WITH EITHER SUB-BASE GRANULAR MATERIAL, TYPE B OR ADDITIONAL THICKNESS OF CONCRETE.

REMOVAL AND REPLACEMENT 4" (100) OR LESS IS INCLUDED IN THE COST OF CURB OR CURB AND GUTTER REMOVAL AND REPLACEMENT.

REMOVAL AND REPLACEMENT IN EXCESS OF 4" (100) WILL BE PAID FOR IN ACCORDANCE WITH ARTICLE 109.04 OF THE STANDARD SPECIFICATIONS.

PROPOSED #6 (20) EPOXY COATED TIE BARS 24" (600) LONG AT 24" (600) CENTERS WILL NOT BE PAID FOR SEPARATELY. DELETE EPOXY COATED TIE BARS IF EXISTING TIE BARS ARE USUABLE AS DETERMINED BY THE ENGINEER. (SEE NOTE ③).

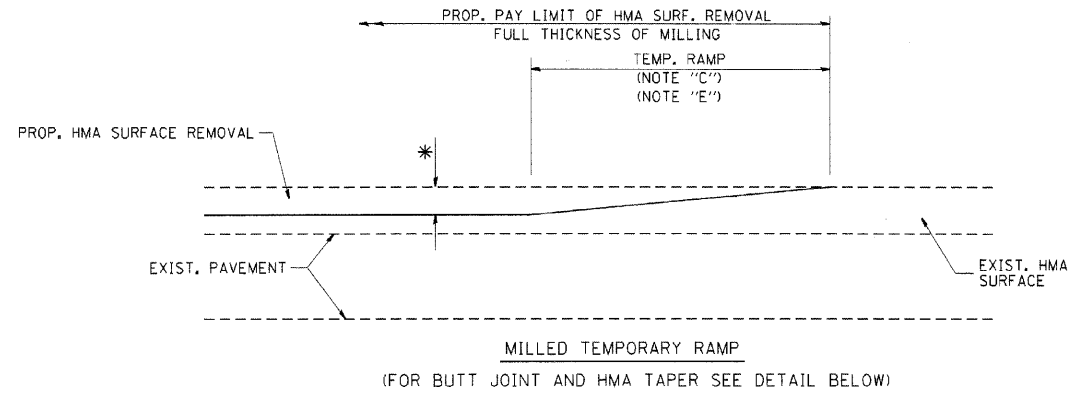
BASIS OF PAYMENT:
THIS WORK WILL BE PAID FOR AT THE CONTRACT UNIT PRICE PER FOOT (METER) FOR "CURB REMOVAL AND REPLACEMENT" OR "COMBINATION CONCRETE CURB AND GUTTER REMOVAL AND REPLACEMENT".

CURB OR CURB AND GUTTER REMOVAL AND REPLACEMENT

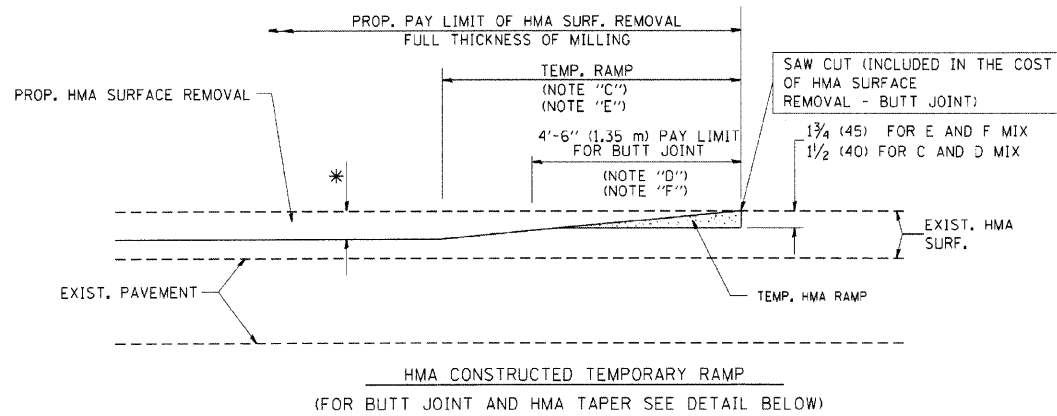
ALL DIMENSIONS ARE IN INCHES (MILLIMETERS) UNLESS OTHERWISE SHOWN.

FILE NAME = W:\data\22-34\ba24.dgn	USER NAME = gggjenobt	DESIGNED - A. HOUSEH	REVISED - R. SHAH 10-03-96	STATE OF ILLINOIS DEPARTMENT OF TRANSPORTATION	CURB OR CURB AND GUTTER REMOVAL AND REPLACEMENT	F.A. RTE.	SECTION	COUNTY	TOTAL SHEETS	SHEET NO.

FAU RTE.	SECTION	COUNTY	TOTAL SHEETS	SHEET NO.
1617	09-00077-00-RS	COOK	9	8
STA.		TO STA.		
FED. ROAD DIST. NO.		ILLINOIS		

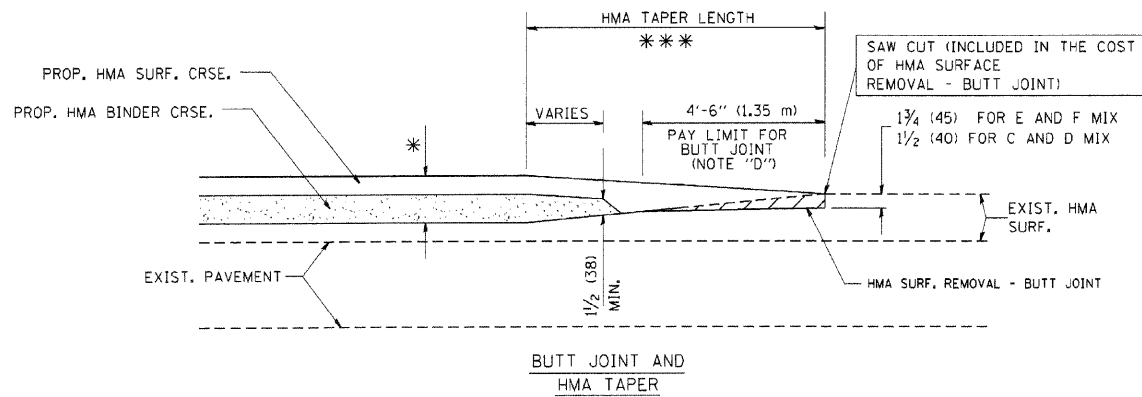


OPTION 1

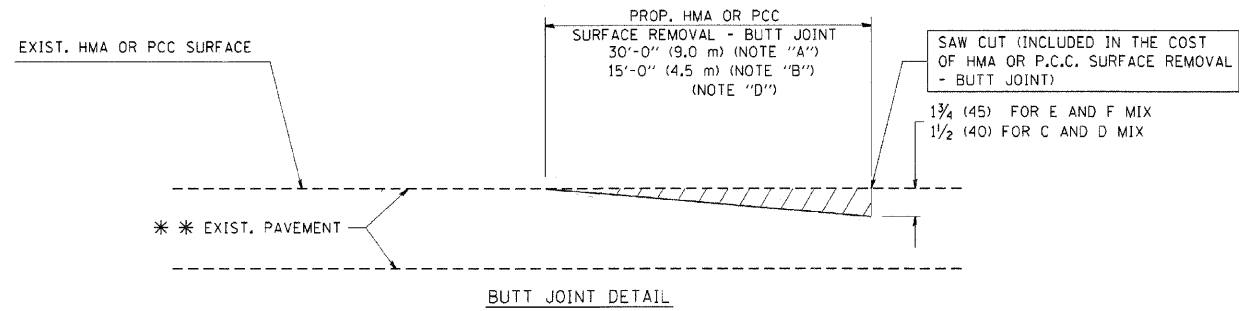


OPTION 2

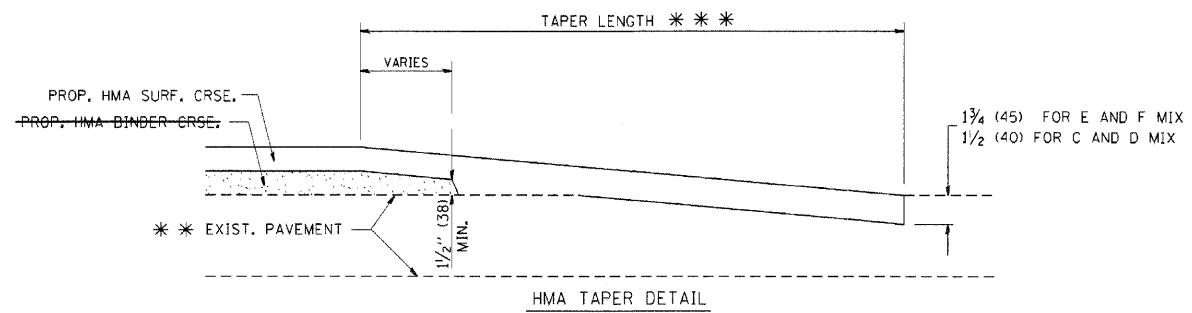
TYPICAL TEMPORARY RAMP



TYPICAL BUTT JOINT AND HMA TAPER FOR MILLING AND RESURFACING



BUTT JOINT DETAIL



HMA TAPER DETAIL

TYPICAL BUTT JOINT AND HMA TAPER FOR RESURFACING ONLY

* * * PC CONCRETE, HMA OR HMA RESURFACED PAVEMENT.

NOTES

- A: MAINLINE ROADWAYS AND MAJOR SIDE ROADS.
- B: MINOR SIDE ROADS.
- C: THE TEMP. RAMP SHALL BE CONSTRUCTED IMMEDIATELY UPON REMOVAL OF THE EXISTING HMA SURFACE.
- D: THE BUTT JOINT SHALL BE CONSTRUCTED IMMEDIATELY PRIOR TO PLACING THE PROPOSED HMA COURSES.
- E: TAPER THE TEMP. RAMP AT A RATE OF 3'-0" (900 mm) PER 1 INCH (25 mm) OF MILLING THICKNESS.
- F: INSTALLATION AND REMOVAL OF THE 4'-6" (1.35 m) TEMP. RAMP IS INCLUDED IN COST OF HMA SURFACE REMOVAL - BUTT JOINT
- G: SEE ARTICLE 406.08 AND 406.14 OF THE STANDARD SPECIFICATIONS FOR "HMA AND/OR PCC SURFACE REMOVAL, BUTT JOINT".
- * SEE TYPICAL SECTIONS FOR MILLING THICKNESS.
- * * * 20'-0" (6.1 m) PER 1 (25) RESURFACING (NOTE "A")
10'-0" (3.0 m) PER 1 (25) RESURFACING (NOTE "B")

BASIS OF PAYMENT:

THE BUTT JOINT WILL BE PAID FOR AT THE CONTRACT UNIT PRICE PER SQUARE YARD (SQUARE METER) FOR "HOT-MIX ASPHALT SURFACE REMOVAL - BUTT JOINT" OR FOR "PORTLAND CEMENT CONCRETE SURFACE REMOVAL - BUTT JOINT".

ALL DIMENSIONS ARE IN INCHES (MILLIMETERS) UNLESS OTHERWISE SHOWN.

FILE NAME =	USER NAME = ggg/renob
W:\distatd\22x34\bd32.dgn	

DESIGNED - M. DE YONG	REVISED - R. SHAH 10-25-94
DRAWN -	REVISED - A. ABBAS 03-21-97
CHECKED -	REVISED - M. GOMEZ 04-06-01
DATE - 06-13-90	REVISED - R. BORO 01-01-07

STATE OF ILLINOIS
DEPARTMENT OF TRANSPORTATION

BUTT JOINT AND HMA TAPER DETAILS	
SCALE: NONE	SHEET NO. 1 OF 1 SHEETS
STA.	TO STA.

F.A. RTE.	SECTION	COUNTY	TOTAL SHEETS	SHEET NO.
	BD400-05 BD32			
FED. ROAD DIST. NO. 1 ILLINOIS FED. AID PROJECT		CONTRACT NO.		

