

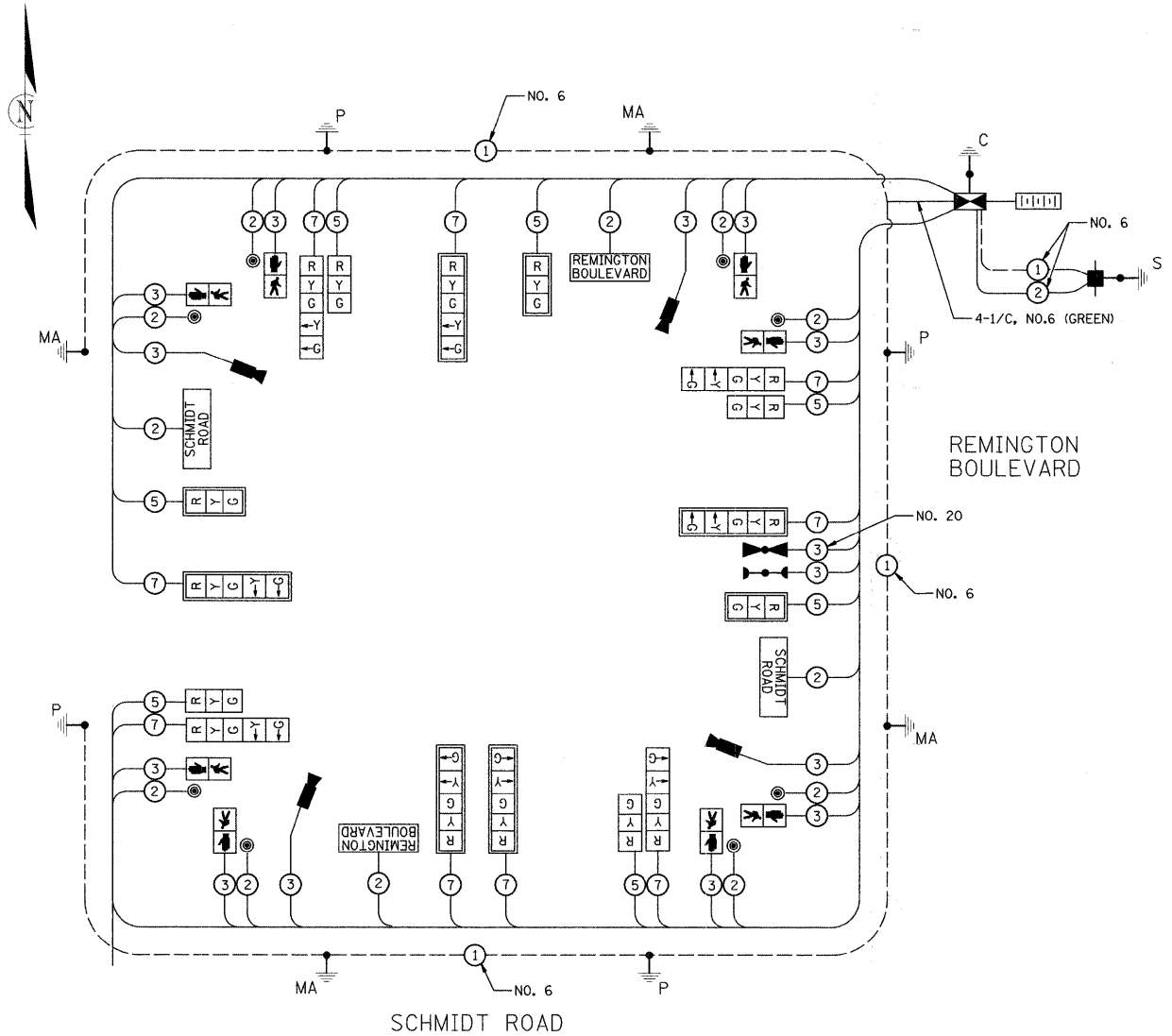
CABLE PLAN LEGEND

- Signal Section 300 mm (12")
- Controller
- Power Pole Service
- Priority Veh. Detector
- Confirmation Beacon
- Cable Number

- Signal Face with Backplate
- Pedestrian Signal Head

- Ground Rod at Handhole (H) or Controller (C)
- Ground Rod at Post (P) or Mast Arm Pole (MA)
- Ground Rod at Electric Service Installation

- Video Vehicle Sensor
- Battery Backup
- Pedestrian Push Button
- Existing Handhole
- Existing Lighting Controller

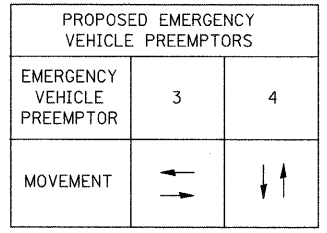


PROPOSED CABLE PLAN

NOTE: EQUIPMENT GROUND CONDUCTOR (GREEN COLOR CODED) SPLICE TO FRAME AND COVER IS REQUIRED FOR ALL HANDHOLES OR DOUBLE HANDHOLES THAT CARRY SIGNAL CABLES AND SERVICE CABLES

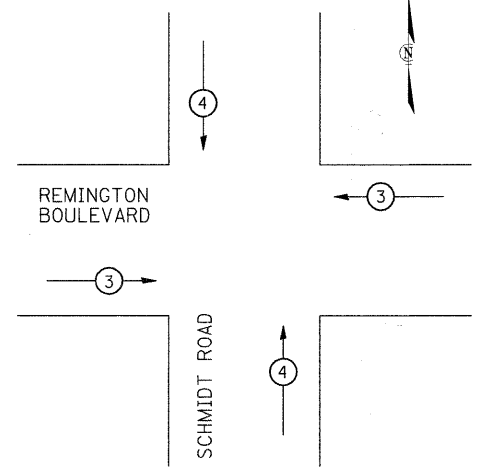
I. D. O. T. TRAFFIC SIGNAL INSTALLATION ELECTRICAL SERVICE REQUIREMENTS					TOTAL WATTAGE
TYPE	NO. LAMPS	WATTAGE		% OPERATION	
		INCAND.	LED		
SIGNAL (RED)	17		17	0.50	144.5
(YELLOW)	17		25	0.25	106.2
(GREEN)	17		15	0.25	63.8
ARROW	18		12	0.10	21.6
PED. SIGNAL	8		25	1.00	200.0
CONTROLLER	1		100	1.00	100.0
ILLUM. SIGN.	4		136	0.55	299.2
FLASHER				0.50	
TOTAL =					935.3

ENERGY COSTS TO:
 VILLAGE OF BOLLINGBROOK
 375 N. BRIARCLIFF ROAD
 BOLLINGBROOK, IL 60440-0591
 ENERGY SUPPLY CONTACT: DENISE BAKER
 PHONE: (815) 724-5054
 COMPANY: COMED

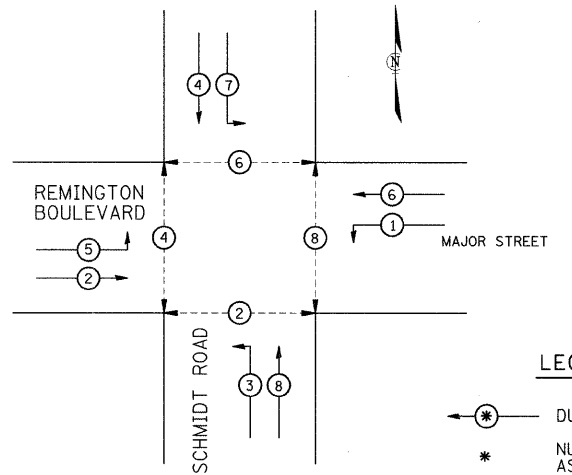


NOTE: THE TRAFFIC SIGNAL CONTROL EQUIPMENT FOR THIS PROJECT SHALL BE "ECONOLITE" TO MATCH EXISTING ADJACENT SYSTEM.

FOUNDATION (DEPTH)	FT.	CABLE SLACK	FT.	VERTICAL	FT.
TYPE A - POST	4	HANDHOLE	6.5	ALL FOUNDATIONS	4
D - CONTROLLER	4	DOUBLE HANDHOLE	13	MAST ARM (L) POLE	20 + L
E - M. ARM POLE		SIGNAL POST	2	VIDEO, LUM. & PRIORITY	57
	24"	CONTROLLER CAB.	6	BRACKET MOUNTED	13
	30"	FIBER OPTIC	13	PED. PUSHBUTTON	4
	36"	ELECTRIC SERVICE	1	ELECTRIC SERVICE	13.5
		GROUND CABLE	1	SERVICE TO GROUND	13.5
				POST MOUNTED	6



EMERGENCY VEHICLE PREEMPTIVE SEQUENCE



CONTROLLER SEQUENCE

- LEGEND**
- DUAL ENTRY PHASE
 - NUMBER REFERS TO ASSOCIATED PHASE
 - PEDESTRIAN PHASE