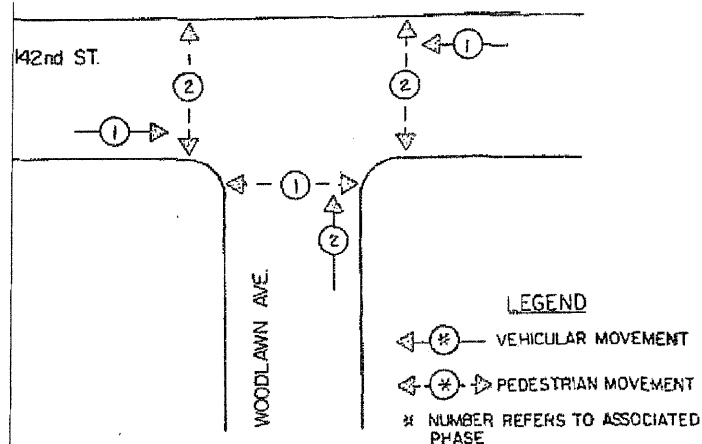


CONTROLLER SEQUENCE I

REFERRING TO STANDARD 2393, THE VEHICULAR AND PEDESTRIAN PHASES USED ARE DESIGNATED BELOW.

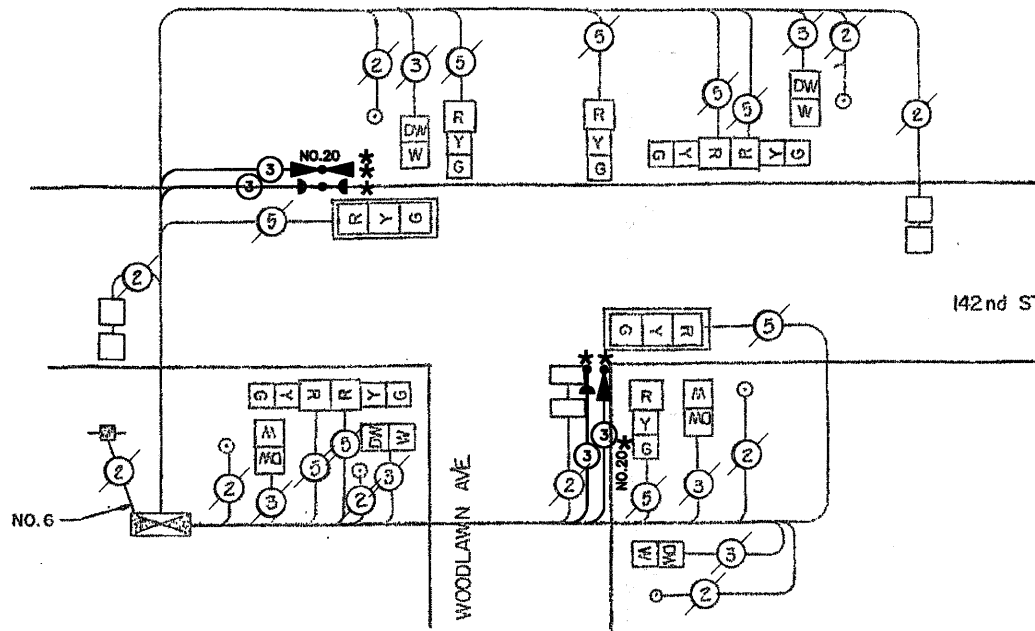


PHASE DESIGNATION DIAGRAM

SFTY-16

SUMMARY OF QUANTITIES

QUANTITY	UNIT	ITEM	ITEM NO.	QTY	UNIT	DESCRIPTION
18	SG. FT.	SIGN PANEL TYPE 1	T42009	10	LIN. FT.	GALVANIZED STEEL CONDUIT IN TRENCH 4"
3	EACH	SIGNAL HEAD, ALUMINUM, 1-FACE, 3-SECTION, BRACKET MOUNTED	T42013	59	LIN. FT.	GALVANIZED STEEL CONDUIT, PUSHED 1-1/4"
2	EACH	SIGNAL HEAD, ALUMINUM, 1-FACE, 3-SECTION, MAST ARM MOUNTED	T42016	60	LIN. FT.	GALVANIZED STEEL CONDUIT, PUSHED 2-1/2"
2	EACH	SIGNAL HEAD, ALUMINUM, 2-FACE, 3-SECTION, BRACKET MOUNTED	T42017	72	LIN. FT.	GALVANIZED STEEL CONDUIT, PUSHED 3"
2	EACH	SIGNAL HEAD, ALUMINUM, 2-FACE, 3-SECTION, BRACKET MOUNTED	T42124	18	LIN. FT.	ELECTRIC CABLE IN CONDUIT NO. 6 2/C
4	EACH	PEDESTRIAN SIGNAL HEAD, ALUMINUM, 1-FACE, BRACKET MOUNTED	T42142	558	LIN. FT.	ELECTRIC CABLE IN CONDUIT NO. 14 2/C
1	EACH	PEDESTRIAN SIGNAL HEAD, ALUMINUM, 2-FACE, BRACKET MOUNTED	T421A5	558	LIN. FT.	ELECTRIC CABLE IN CONDUIT NO. 14 3/C
2	EACH	TRAFFIC SIGNAL BACKPLATE	T421A1	1022	LIN. FT.	ELECTRIC CABLE IN CONDUIT NO. 14 5/C
5	EACH	TRAFFIC SIGNAL POST, FERROUS 14 FT.	T42184	608	LIN. FT.	ELECTRIC CABLE IN CONDUIT NO. 14 2/C SHIELDED
1	EACH	STEEL MAST ARM ASSEMBLY AND POLE 24 FT.	T42605	1	EACH	SERVICE INSTALLATION, TYPE C
1	EACH	STEEL MAST ARM ASSEMBLY AND POLE 24 FT.	T42701	15	LIN. FT.	CONCRETE FOUNDATION, TYPE A
1	EACH	FULL-ACTUATED CONTROLLER, STANDARD SEQUENCE I, 2 PHASES, IN TYPE IV CABINET	T42702	3,5	LIN. FT.	CONCRETE FOUNDATION, TYPE D
2	EACH	INDUCTION LOOP DETECTOR AMPLIFIER, DIGITAL DESIGN	T42703	20	LIN. FT.	CONCRETE FOUNDATION, TYPE E 24-INCH DIAMETER
1	EACH	INDUCTION LOOP DETECTOR AMPLIFIER WITH CALL DELAY, DIGITAL DESIGN	T42804	5	EACH	CONCRETE HANDHOLE
250	LIN. FT.	DETECTOR LOOP	T42806	1	EACH	CONCRETE DOUBLE HANDHOLE
6	EACH	PEDESTRIAN PUSHBUTTON	T43001	471	LIN. FT.	TRENCH AND BACKFILL
43	LIN. FT.	GALVANIZED STEEL CONDUIT IN TRENCH 1"	T50104	253	LIN. FT.	THERMOPLASTIC PAVEMENT MARKING - LINE 6"
293	LIN. FT.	GALVANIZED STEEL CONDUIT IN TRENCH 1-1/4"	T50107	56	LIN. FT.	THERMOPLASTIC PAVEMENT MARKING - LINE 24"
17	LIN. FT.	GALVANIZED STEEL CONDUIT IN TRENCH 1-3/2"	617017	36	LIN. FT.	COMBINATION CONCRETE CURB AND GUTTER REMOVAL AND REPLACEMENT
41	LIN. FT.	GALVANIZED STEEL CONDUIT IN TRENCH 2"	617046	180	SG. FT.	SIDEWALK REMOVAL AND REPLACEMENT
88	LIN. FT.	GALVANIZED STEEL CONDUIT IN TRENCH 2-1/2"	X04748	1	L. SUM	MOBILIZATION

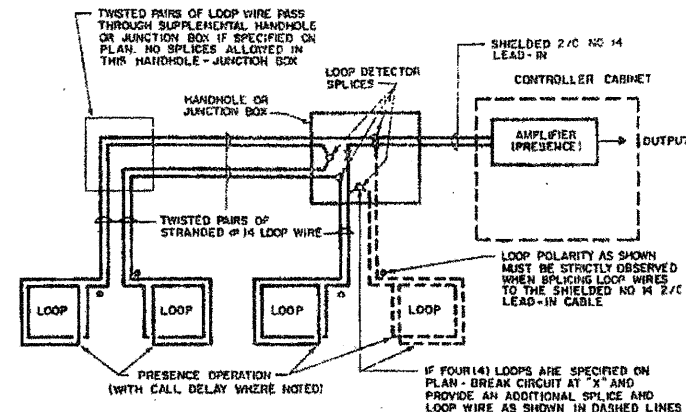


CABLE PLAN

SCHEDULE OF SIGNAL HEADS

3	EACH	SIGNAL HEAD, ALUMINUM, 1-FACE, 3-SECTION WITH 12" RED LENSES, BRACKET MOUNTED
2	EACH	SIGNAL HEAD, ALUMINUM, 1-FACE, 3-SECTION WITH 12" LENSES, MAST ARM MOUNTED
2	EACH	SIGNAL HEAD, ALUMINUM, 2-FACE, 3-SECTION WITH 12" RED LENSES, BRACKET MOUNTED
4	EACH	PEDESTRIAN SIGNAL HEAD, ALUMINUM, 1-FACE, 2-SECTION WITH 12" LENSES, BRACKET MOUNTED
1	EACH	PEDESTRIAN SIGNAL HEAD, ALUMINUM, 2-FACE, 2-SECTION WITH 12" LENSES, BRACKET MOUNTED

- EACH LOOP LEAD-IN SHALL BE PLACED IN A SEPARATE CONDUIT FROM EDGE OF PAVEMENT TO HANDHOLE. SPACING BETWEEN THE HOLES DRILLED IN THE PAVEMENT SHALL NOT BE LESS THAN 6".
- EACH LOOP DETECTOR SPLICE SHALL BE AN INDIVIDUAL TYPE II OR TYPE III SPLICE.
- LOOP TURNS AS RECOMMENDED BY THE MANUFACTURER.



LOOP DETECTOR SCHEMATIC

* THIS PLAN IS FOR THE PURPOSE OF INSTALLING EMERGENCY VEHICLE PREEMPTION EQUIPMENT AS SHOWN PER PLAN INDICATED IN THE SCHEDULE OF QUANTITIES. ALL OTHER EQUIPMENT SHOWN SHALL BE DISREGARDED.

* ADDED EV PREEMPTION LOCATION NO. 12

FILE NAME = 0924-PLAN-16 - IDOT P02	USER NAME =	DESIGNED - MRS	REVISED - 10-13-09 *	STATE OF ILLINOIS DEPARTMENT OF TRANSPORTATION	PROPOSED EMERGENCY VEHICLE PREEMPTION 142ND STREET & WOODLAWN AVENUE SCHEDULE OF QUANTITIES, CABLE PLAN, & SEQUENCE OF OPERATION	F.A.U. RTE.	SECTION	COUNTY	TOTAL SHEETS	SHEET NO.
	CHECKED - PKB	REVISION -	1599			09-00114-00-TL	COOK	43	35	
	DRAWN - PS	REVISION -	CONTRACT NO. 63317							
	PLOT DATE = 10-13-09	CHECKED - AG	REVISION -			FED. ROAD DIST. NO. 1 ILLINOIS FED. AID PROJECT ARA-9003(536)				