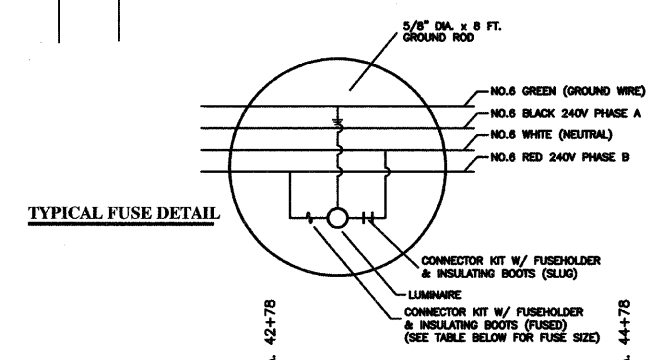
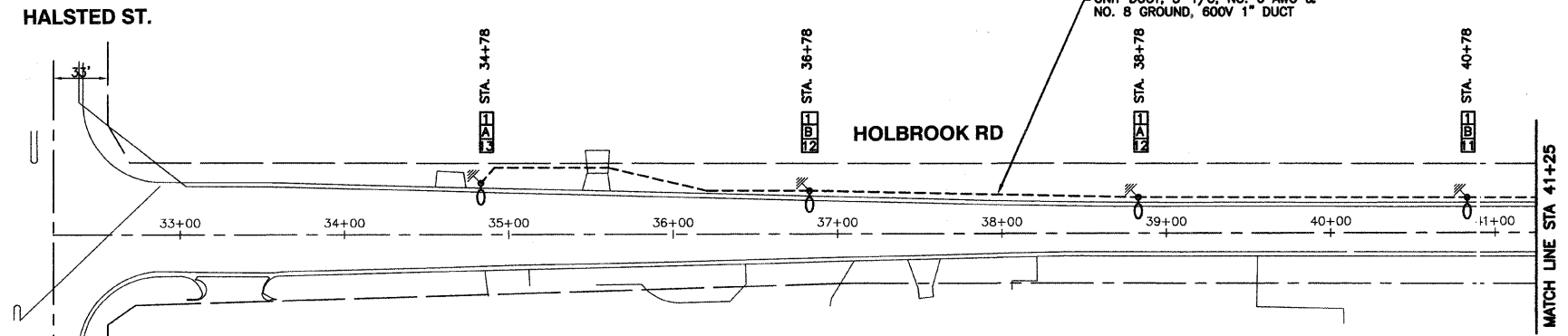


**CONTROL INSTALLATION NO. 1
EXISTING CONTROLLER WIRING DIAGRAM
STA. 16+10.00, 30.00' RT. (ON CHICAGO HEIGHTS-GLENWOOD ROAD)**

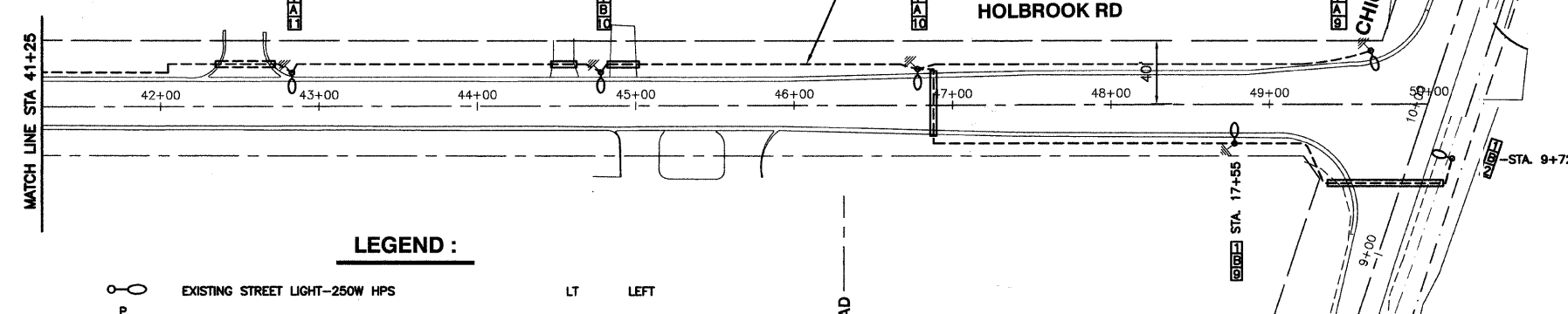
CONTROLLER WIRING DIAGRAM LEGEND

- ① 3-1/C, NO.2, 600V SERVICE WIRE IN 2" DIA. GALVANIZED STEEL CONDUIT FOR 240/480 VOLT, 1ϕ, 3 WIRE, 60HZ. SERVICE.
- ② (1) 60 AMP MAIN CIRCUIT BREAKER, 2 POLE, 600 VOLT, 100 AMP BASE, NON-INTERCHANGEABLE TRIP INTERRUPTING RATING NEMA - 14000 AMP AT 480 V.
- ③ (1) 60 AMP REMOTE CONTROL CONTACTOR SWITCH, ELECTRICALLY OPERATED, MECHANICALLY HELD, 2 POLE, SINGLE THROW, MINIMUM 60 AMP, 600 VOLT, 240 V ASCO 920.
- ④ (4) 30 AMP CIRCUIT BREAKER, 1 POLE, 480 VOLT, 100 AMP BASE, NON-INTERCHANGEABLE TRIP INTERRUPTING RATING NEMA - 14000 AMP AT 277 VOLTS.
- ⑤ (2) 20 AMP CONTROL CIRCUIT-CIRCUIT BREAKER, 1 POLE, 240 VOLT, 100 AMP BASE, NON-INTERCHANGEABLE TRIP INTERRUPTING RATING NEMA 14000 AMP AT 240 V.
- ⑥ (1) 20 AMP, 1 POLE DOUBLE THROW, 120 VOLT RELAY
- ⑦ (1) 1.0 KVA, SINGLE PHASE, ENCAPSULATED TRANSFORMER 240x480/120x240 VOLT, 60 HZ.
- ⑧ (1) 20 AMP, 120 VOLT FUSE.
- ⑨ (1) 20 AMP, 120 VOLT DUPLEX RECEPTACLE.
- ⑩ (1) NEUTRAL BUS BAR, 1/4"x1"x12" LONG MOUNTED ON PANEL WITH TAPS.
- ⑪ (2) TOGGLE SWITCHES MOUNTED IN 4"x4" BOX.
- ⑫ (1) SWITCH FOR LIGHTING FIXTURE MOUNTED IN BOX.
- ⑬ (1) WEATHER-PROOF INCANDESCENT LIGHTING FIXTURE WITH 60 WATT, 120 V LAMP.
- ⑭ (1) PHOTOCELL MOUNTED TO TOP OF NEAREST LIGHT POLE, 240 V.
- ⑮ NO.6 AWG INSULATED GROUND WIRE
- ⑯ (1) GROUND BUS BAR 1/4"x1"x12" LONG MOUNTED ON PANEL WITH TAPS.
- Ⓐ CIRCUIT



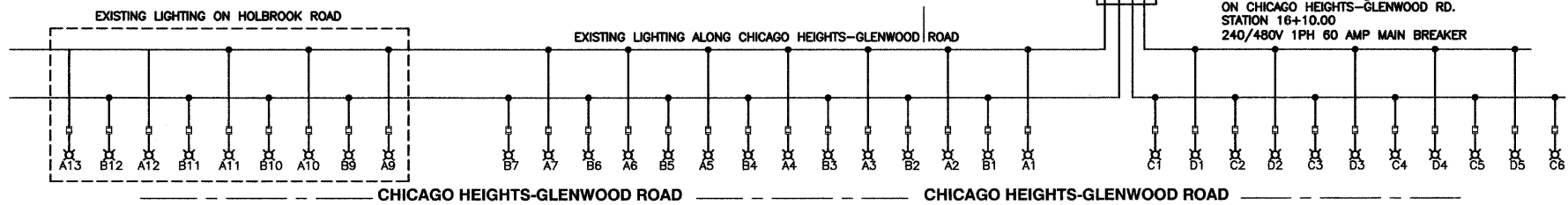
NOMINAL WATTAGE	FUSE SIZE
250	2.5 AMP
150	2.5 AMP

LUMINAIRE FUSE SIZE TABLE
NOTE: FUSES TO BE TIME DELAY TYPES



LEGEND :

- EXISTING STREET LIGHT-250W HPS
- P — CONDUIT, PUSHED, GALVANIZED STEEL
- UNIT DUCT, 3-1/C, NO.6 AWG AND NO.8 GROUND, 600V 1" DUCT
- ⊕ GR GROUND ROD, 5/8" DIA. x 10'
- BD BREAKAWAY DEVICE COUPLING, WITH ALUMINUM SKIRT
- LT LEFT
- RT RIGHT
- MH MOUNTING HEIGHT
- MA MAST ARM
- B/C BACK OF CURB



LOAD TABULATION	
CIRCUIT	LOAD
A	16.1
B	14.8
C	7.8
D	6.5
TOTAL LOAD	45.2

- LUMINAIRE, 250 WHPS
- LUMINAIRE, 150 WHPS
- FUSE, 2.5A
- ⎓ CIRCUIT BREAKER
- CONNECTION