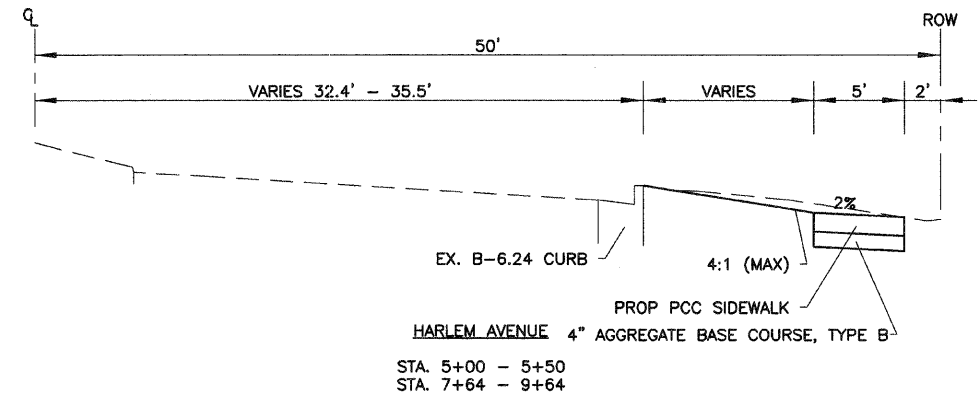
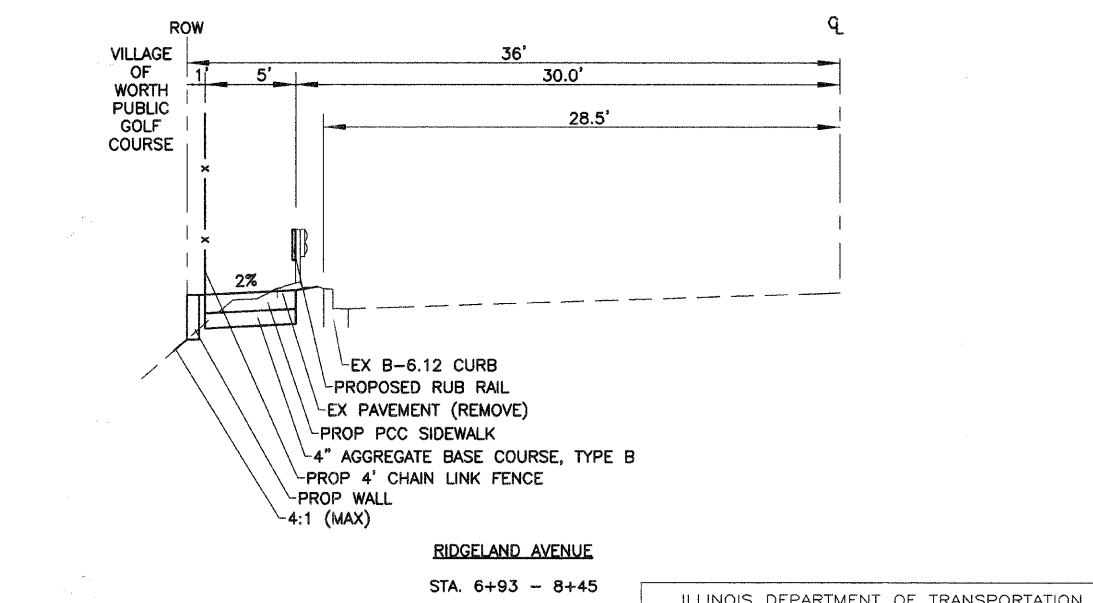
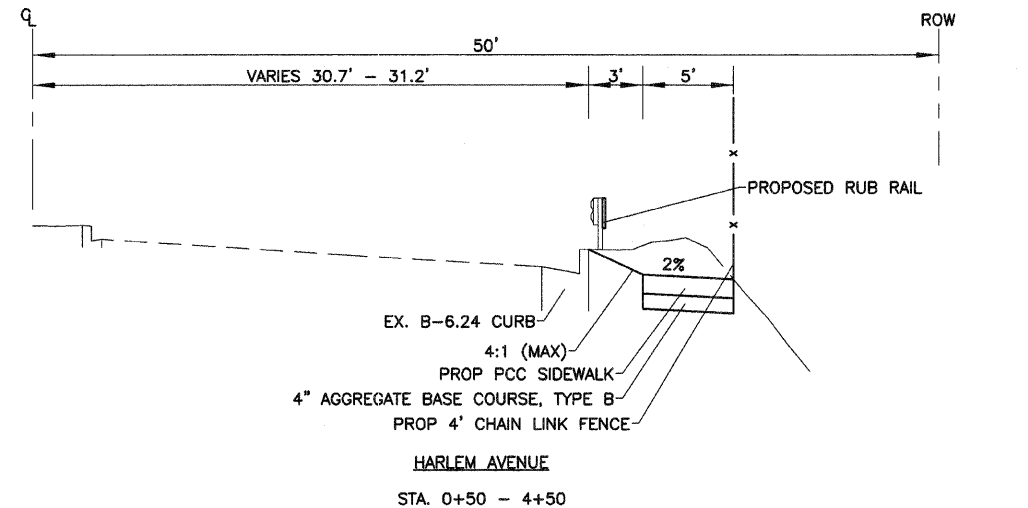
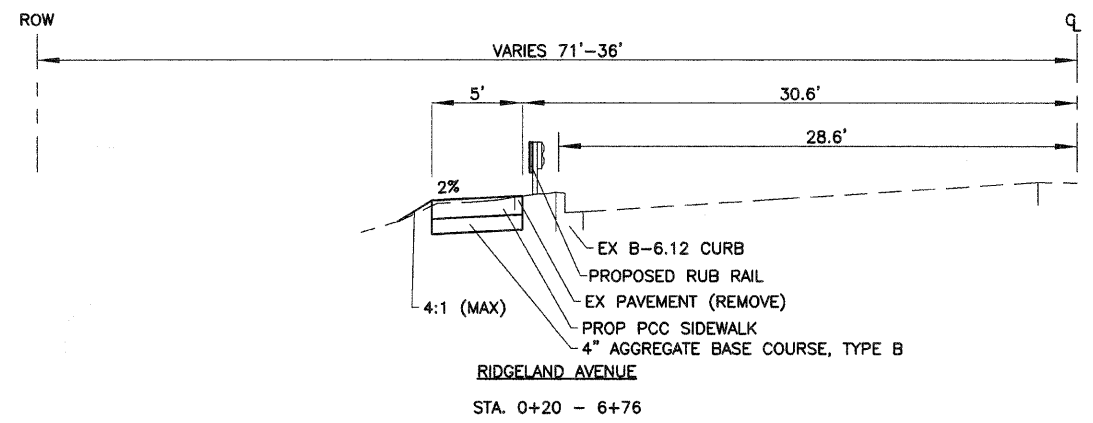
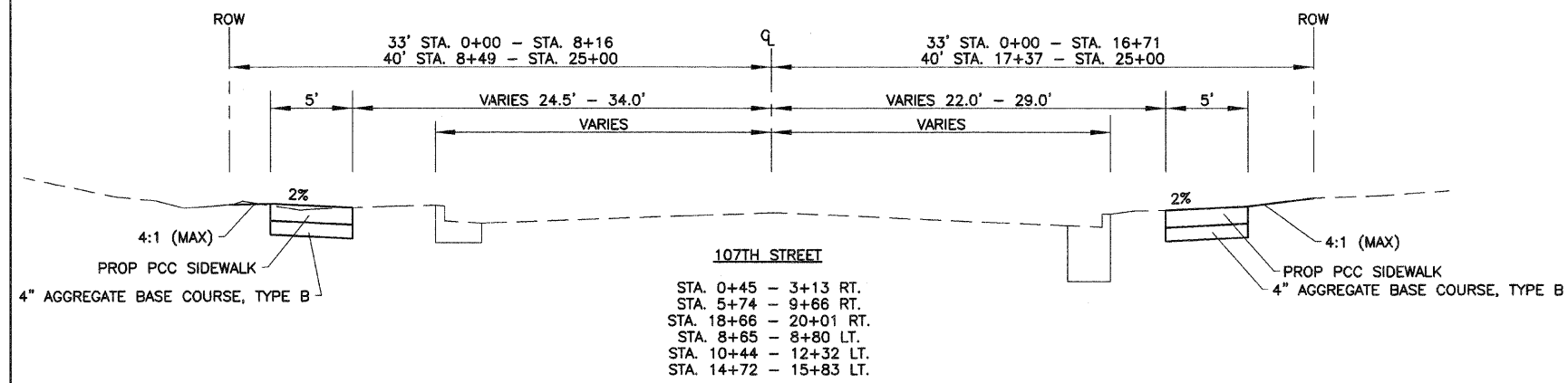
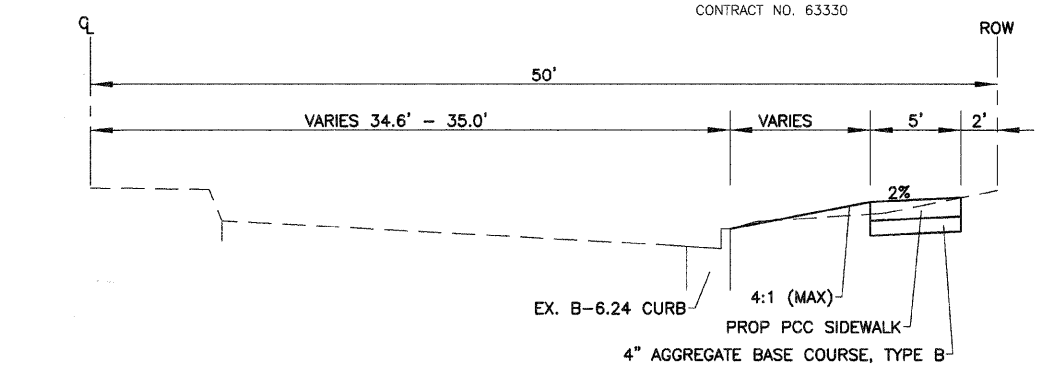
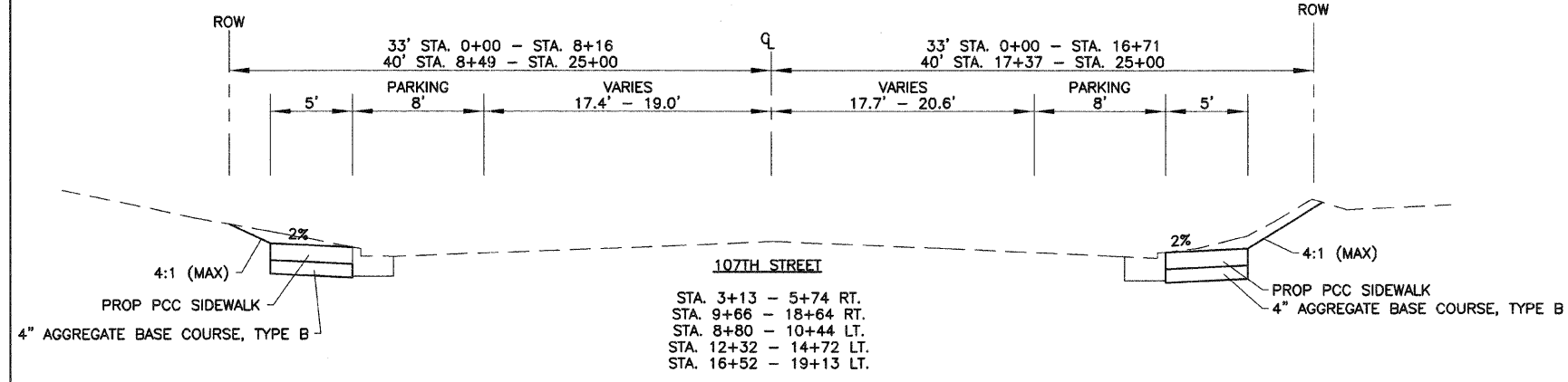


FAP RTE.	SECTION	COUNTY	TOTAL SHEETS	SHEET NO.
34B	09-0005B-00-SW	COOK	13	4
F.H.W.A. REG.	ILLINOIS	PROJECT:	ARA-9003(392)	
CONTRACT NO. 63330				



PLOT DATE: Nov 05, 2009
 FILENAME: H:\09-WO-3000\PLANS-ENG\REV-1\DWG\09-WO-3000-SITE PLAN 09-10-14.dwg

MORRIS ENGINEERING, INC.
 5100 S. LINCOLN SUITE 100 Lisle, ILLINOIS 60532
 PHONE: (630)271-0770 WEBSITE: CIVIL.COM
 LOCATION: H:\09-WO-3000\PLANS-ENG\REV-1\DWG\09-WO-3000-SITE PLAN 09-10-14.dwg
 MORRIS JOB NO.: 09-WO-3000

REVISIONS	
NAME	DATE

ILLINOIS DEPARTMENT OF TRANSPORTATION
 VILLAGE OF WORTH
 SIDEWALK IMPROVEMENTS
 TYPICAL SECTIONS

SCALE: VERT. 1"=2'
 HORIZ. 1"=5'
 DATE 10-06-2009

DRAWN BY CJS
 DESIGNED BY AS
 CHECKED BY NEK