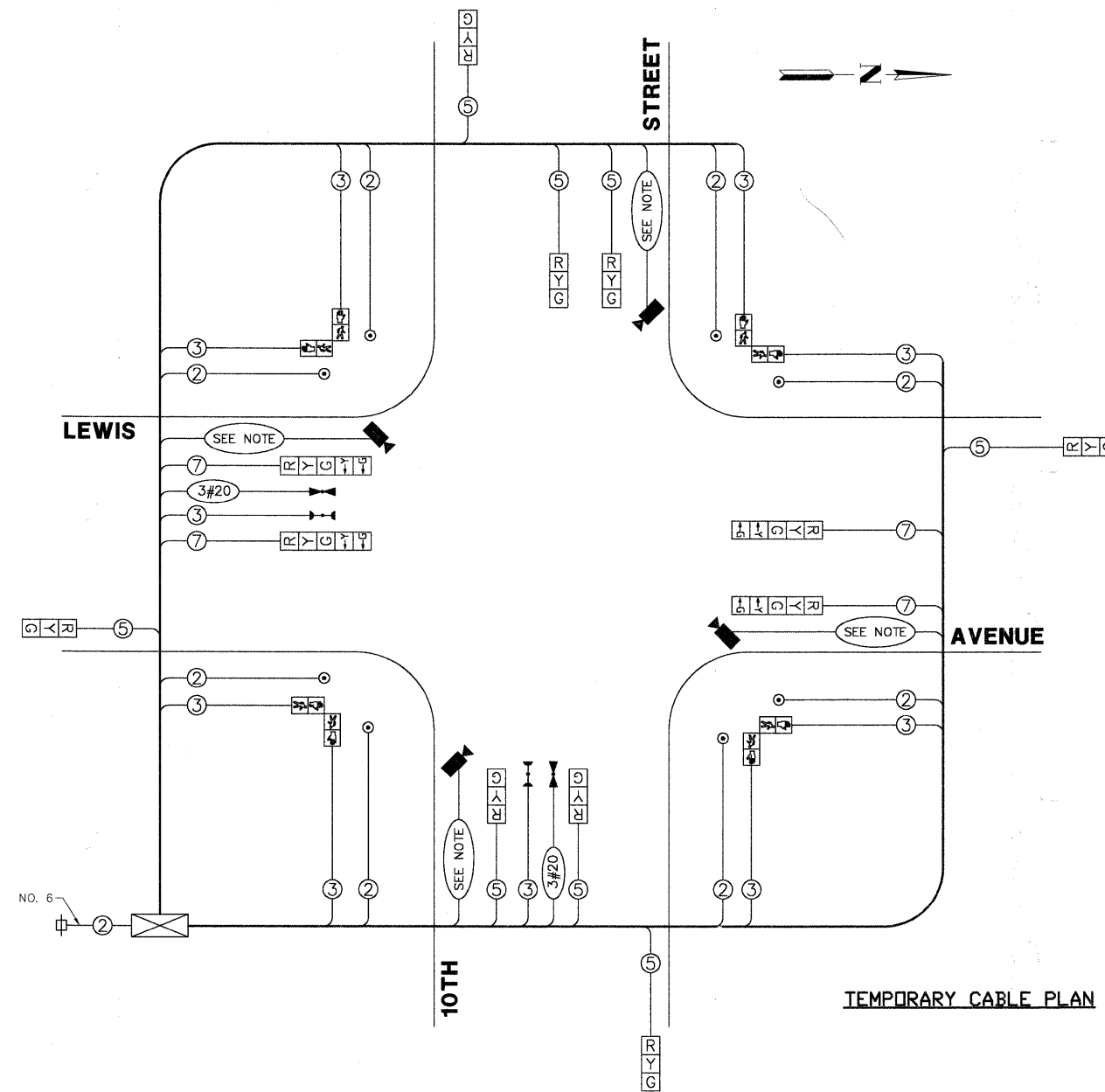


TEMPORARY CABLE PLAN LEGEND

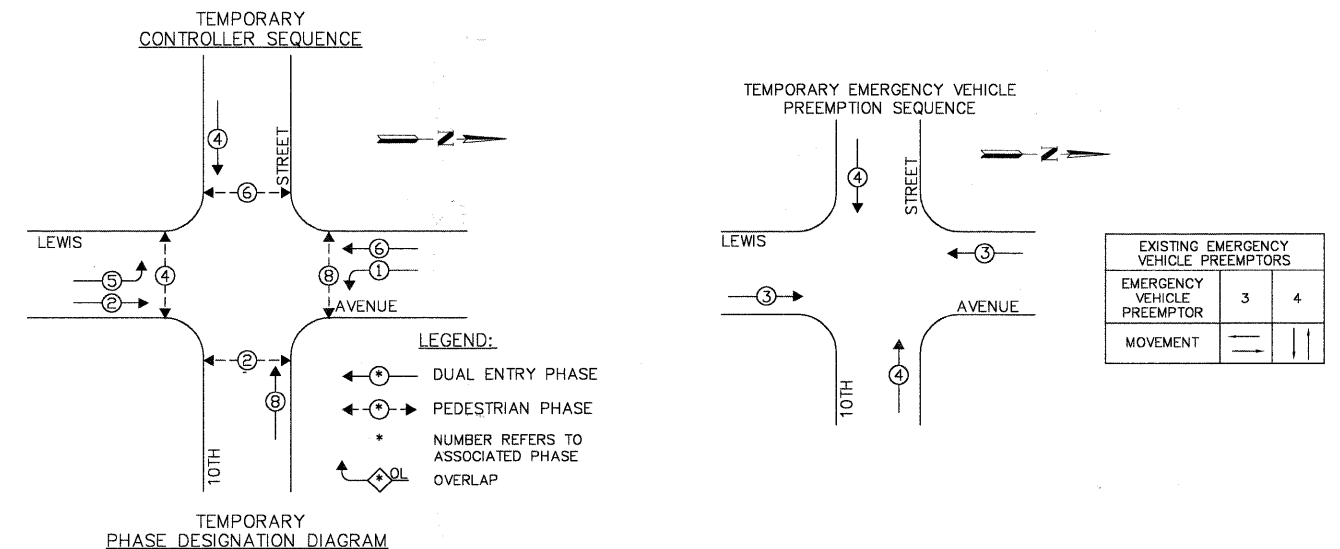
- R TEMPORARY TRAFFIC SIGNAL SECTION OR PEDESTRIAN SIGNAL SECTION 12'
- TEMPORARY CONTROLLER CABINET
- TEMPORARY SERVICE INSTALLATION
- 5 INDICATES NUMBER OF CONDUCTORS IN CABLE. ALL CONDUCTORS TO BE NUMBER 14 AWG WIRE UNLESS OTHERWISE NOTED.
- EMERGENCY VEHICLE LIGHT DETECTOR
- CONFIRMATION BEACON
- VEHICLE DETECTOR, INDUCTION LOOP
- PEDESTRIAN PUSHBUTTON DETECTOR
- H PEDESTRIAN SIGNAL HEAD
- VIDEO DETECTION CAMERA
- PTZ CAMERA



NOTE:

IF THE CONTRACTOR DECIDES TO USE THEIR OWN VIDEO DETECTION CAMERAS FOR THE TEMPORARY TRAFFIC SIGNAL, THE CABLE TO SERVICE THE CAMERA CAN BE NO. 18, 5 1/2 PAIR OR NO. 18, 3/C. IF THE CONTRACTOR DECIDES TO USE NEW VIDEO DETECTION CAMERAS FOR THE TEMPORARY TRAFFIC SIGNAL THAT WILL BE RELOCATED TO THE PERMANENT TRAFFIC SIGNAL, THE CABLE TO SERVICE THE NEW CAMERA SHALL BE NO. 18, 3/C.

TEMPORARY CABLE PLAN



TEMPORARY PHASE DESIGNATION DIAGRAM

L.C.D.O.T. TRAFFIC SIGNAL INSTALLATION ELECTRICAL SERVICE REQUIREMENTS					TOTAL WATTAGE
TYPE	NO LAMPS	WATTAGE INCAND.	WATTAGE L.E.D.	% OPERATION	
SIGNAL (RED)	12	135	10	0.50	60.0
SIGNAL (YELLOW)	12	135	19	0.10	22.8
SIGNAL (GREEN)	12	135	11	0.40	52.8
ARROW	6	135	9	0.10	7.2
PED. SIGNAL	8	90	9	1.00	72.0
CONTROLLER	1	100	100	1.00	100.0
LUMINAIRE	-	150	250	0.50	-
L.E.D. ST. NAME SIGN	-	-	64	0.50	-
VIDEO SYSTEM	1	150	150	1.00	150.0
BATTERY BACKUP	-	-	25	-	-
TOTAL =					464.8

ENERGY COSTS - BILLED TO: CITY OF WAUKEGAN
 (ADDRESS) 100 N. W. L.K. JR. AVENUE
 (ADDRESS) WAUKEGAN, IL

ENERGY SUPPLY - CONTACT: NEW BUSINESS
 PHONE: 1-866-639-3552
 COMPANY: COMED

FILE NAME = 4135.315-TR1.dwg	USER NAME = GHA	DESIGNED - JRD	REVISED - 9/15/09 (LCDOT)
	PLOT SCALE = 1" = .08'	DRAWN - ZCW	REVISED - 9/25/09 (IDOT)
	PLOT DATE = 10/19/2009	CHECKED - DPB	REVISED - 10/19/09 (LCDOT)
		DATE - 10/19/09	REVISED -



TEMPORARY CABLE PLAN & PHASE DESIGNATION DIAGRAM			
LEWIS AVENUE AT 10TH STREET			
SCALE: NONE	SHEET NO. 9 OF 86 SHEETS	STA. TO STA.	

F.A.P. RTE. 2730	SECTION 08-00259-00-TL	COUNTY LAKE	TOTAL SHEETS 86	SHEET NO. 9
CONTRACT # 63344			GHA #4135.800	
ILLINOIS FED. AID PROJECT				