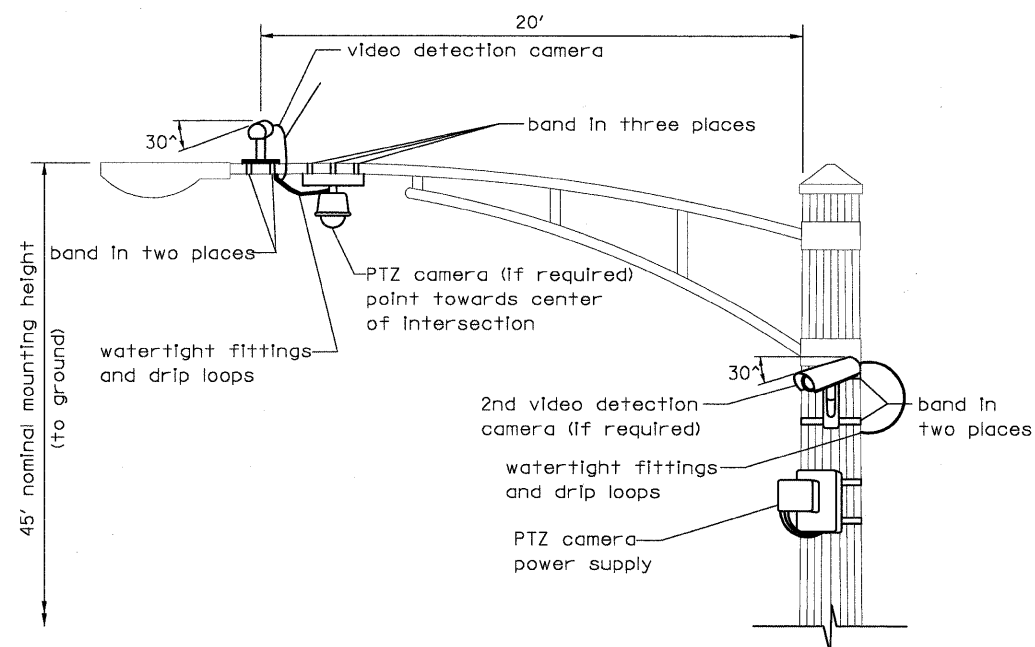


F.A.P. RTE.	SECTION	COUNTY	TOTAL SHEETS	SHEET NO.
2730	08-00259-00-TL	LAKE	86	78
ILLINOIS				
VIDEO DETECTION DETAILS				

CONTRACT NO: 63344

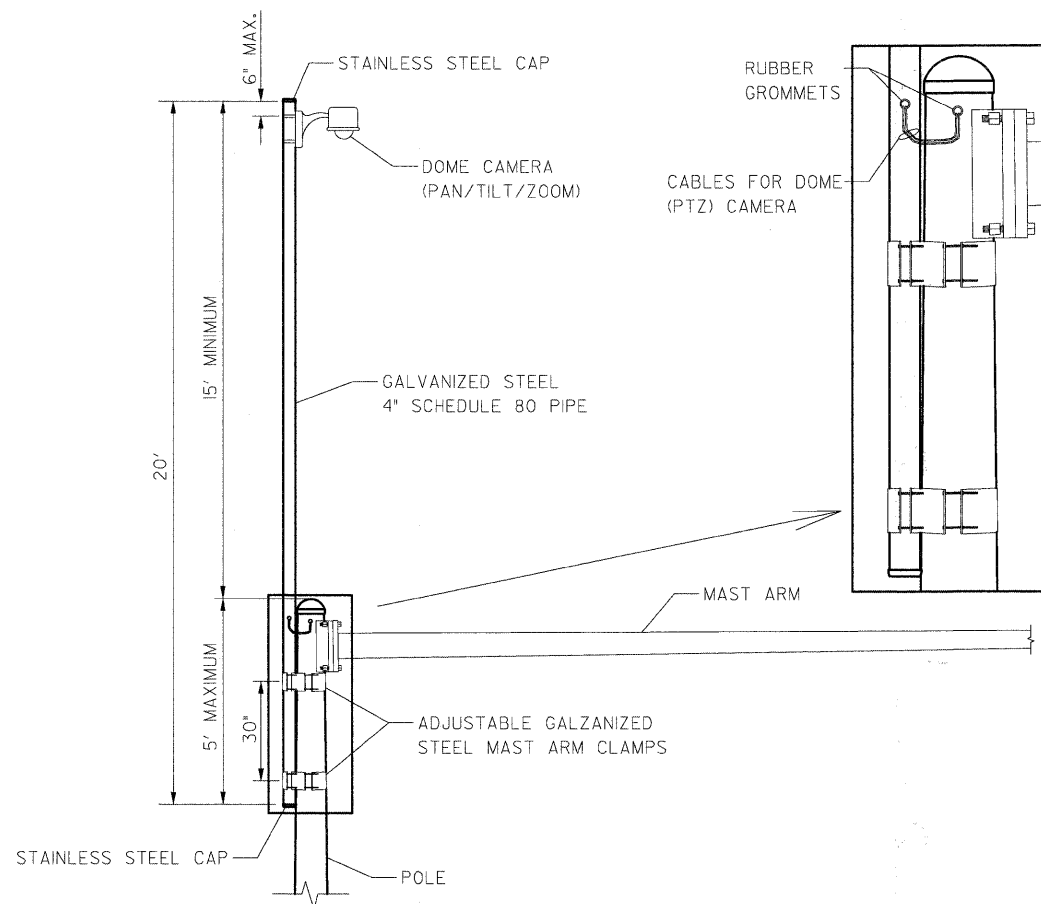


VIDEO DETECTION CAMERA(S) AND DOME (PTZ) CAMERA MOUNTING DETAIL

(NOT TO SCALE)

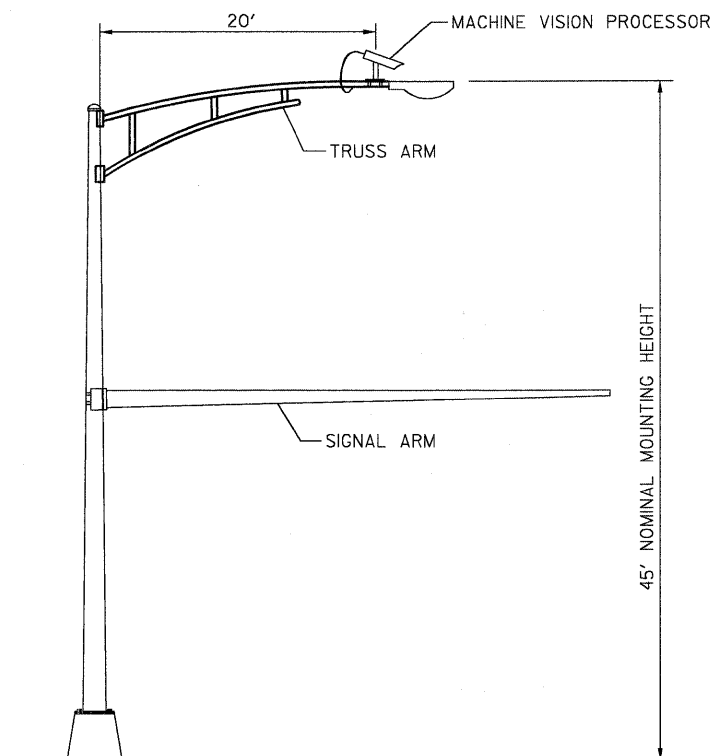
NOTES FOR SINGLE, DUAL AND MULTIPLE MVP MOUNTING:

- MOUNT LUMINAIRE MOUNTING BRACKET AS HIGH AS POSSIBLE.
- AIM BRACKET TOWARD DIRECTION OF TRAFFIC TO BE DETECTED.
- MOUNT MACHINE VISION PROCESSOR AIMING DOWN AT 30 DEGREE ANGLE.



CAMERA MOUNTING ASSEMBLY DETAIL

(NOT TO SCALE)



COMBINATION MAST ARM ASSEMBLY AND POLE DIMENSIONS

(NOT TO SCALE)

REVISIONS	DATE		APPROVED BY: A. KHAWAJA
MOUNTING DETAILS REVISED	5/1/08		DATE: APRIL 1, 2007
VIDEO DETECTION DETAILS			
GHA #4135,800			

FILE NAME = 4135.315-TR1.dwg	USER NAME = GHA	DESIGNED - JRD	REVISED - 9/15/09 (LCDOT)		DETAIL SHEET			F.A.P. RTE. 2730	SECTION 08-00259-00-TL	COUNTY LAKE	TOTAL SHEETS 86	SHEET NO. 78
	PLOT SCALE = 1" = .08'	DRAWN - ZCW	REVISED - 9/25/09 (IDOT)		SCALE: NONE	SHEET NO. 78 OF 86 SHEETS	STA. TO STA.	CONTRACT #: 63344				
	PLOT DATE = 10/19/2009	CHECKED - DPB	REVISED - 10/19/09 (LCDOT)		ILLINOIS FED. AID PROJECT							
		DATE - 10/19/09	REVISED -									

LC8900