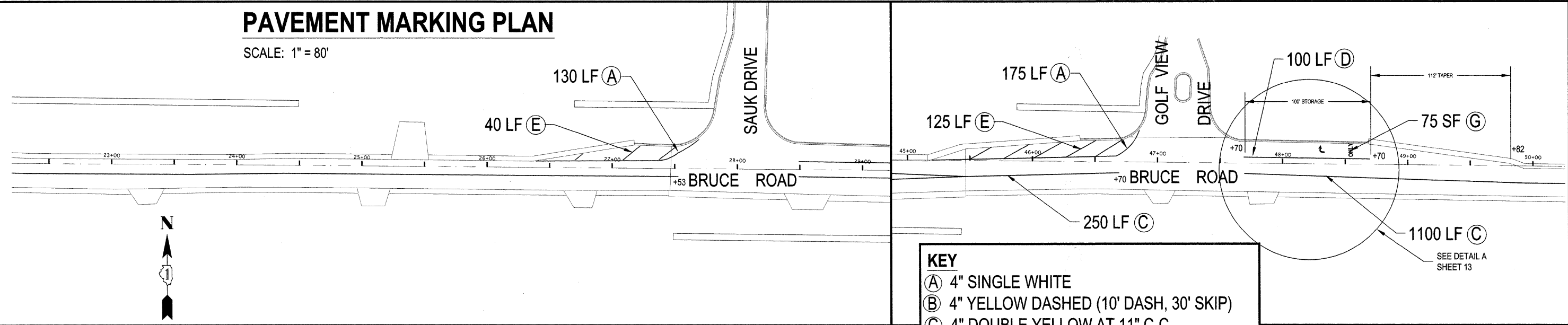


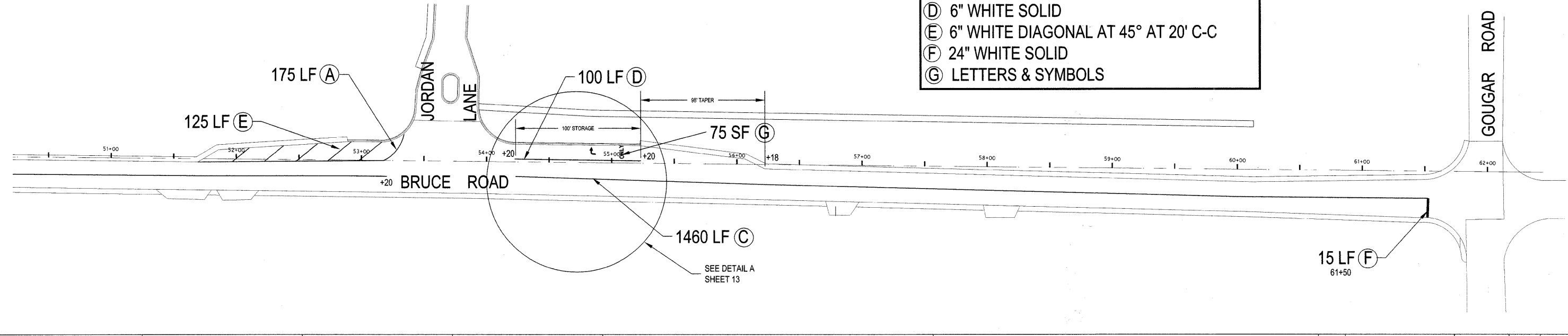
PAVEMENT MARKING PLAN

SCALE: 1" = 80'



KEY

- (A) 4" SINGLE WHITE
- (B) 4" YELLOW DASHED (10' DASH, 30' SKIP)
- (C) 4" DOUBLE YELLOW AT 11" C-C
- (D) 6" WHITE SOLID
- (E) 6" WHITE DIAGONAL AT 45° AT 20' C-C
- (F) 24" WHITE SOLID
- (G) LETTERS & SYMBOLS



FIELD ENGINEER: MELCHOR MANGOBA (847) 705-4408

FILE NAME =	USER NAME = Amy Wagner	DESIGNED — A. Wagner	REVISED — A. Wagner 10/14/2009
R:\Engineering\City Projects\2009 Roadway Program\2009 ARRA\drawings\090006500RS.dwg		DRAWN — A. Wagner	REVISED —
	PLOT SCALE = None	CHECKED — A. Ries	REVISED —
	PLOT DATE = 10/14/2009	DATE — 8/27/2009	REVISED —

STATE OF ILLINOIS
DEPARTMENT OF TRANSPORTATION

BRUCE ROAD PAVEMENT MARKING PLAN		
SCALE: None	SHEET NO. 12 OF 20 SHEETS	STA. 10+00 TO STA. 62+12

F.A.U. RTE. 290/293	SECTION 09-00065-00-RS	COUNTY WILL	TOTAL SHEETS 20	SHEET NO. 12
CONTRACT NO. 63352			ILLINOIS FED. AID PROJECT ARA-9003(408)	