

**EXISTING TYPICAL CROSS SECTION**  
MADISON STREET STA. 1+50 TO STA. 27+20

**SYMBOL**

- A
- B
- C
- D
- E

**LEGEND OF SYMBOLS**

**DESCRIPTION**

- A EXISTING COMBINATION CONCRETE CURB & GUTTER, TYPE B-6.12
- B EXISTING PORTLAND CEMENT CONCRETE SIDEWALK
- C EXISTING AGGREGATE BASE COURSE, 6"
- D EXISTING HOT-MIX ASPHALT SURFACE COURSES, 1 1/2" - 4"
- E HOT-MIX ASPHALT SURFACE REMOVAL, VARIABLE

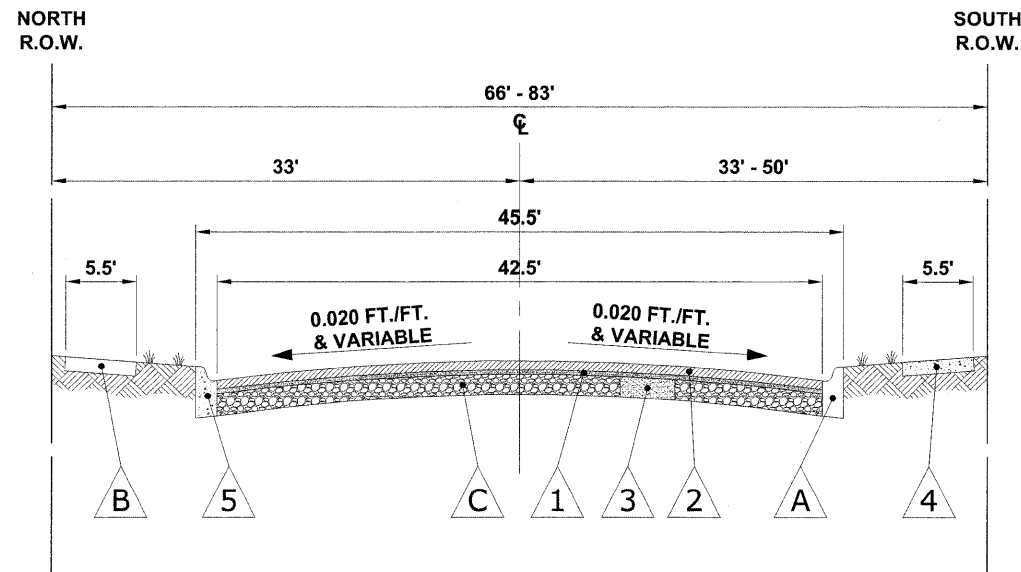
THE CONTRACTOR SHALL CONDUCT PATCHING AFTER MILLING OPERATIONS.

**HOT-MIX ASPHALT (HMA) MIXTURE REQUIREMENTS**

MIXTURE TYPE	AIR VOIDS @ Ndes
<b>RESURFACING</b>	
HOT-MIX ASPHALT SURFACE COURSE, MIX "D", N50, (IL - 9.5 mm)	4% @ 50 GYR.
POLYMERIZED LEVELING BINDER (MACHINE METHOD), IL - 4.75, N50	4% @ 50 GYR.
<b>PATCHING</b>	
CLASS D PATCHES (HMA BINDER IL - 19mm)	4% @ 70 GYR.

THE UNIT WEIGHT USED TO CALCULATE ALL HMA SURFACE MIXTURE QUANTITIES IS 112 LBS/SQ YD/IN.

THE "AC TYPE" FOR POLYMERIZED HMA MIXES SHALL BE "SBS/SBR PG 70 -22" AND FOR NON-POLYMERIZED HMA THE "AC TYPE" SHALL BE "PG 64 -22" UNLESS MODIFIED BY DISTRICT ONE SPECIAL PROVISIONS. FOR "PERCENT OF RAP" SEE DISTRICT ONE SPECIAL PROVISIONS.



**PROPOSED TYPICAL CROSS SECTION**  
MADISON STREET STA. 1+50 TO STA. 27+20

**SYMBOL**

- A
- B
- C
- 1
- 2
- 3
- 4
- 5

**LEGEND OF SYMBOLS**

**DESCRIPTION**

- A EXISTING COMBINATION CONCRETE CURB & GUTTER, TYPE B-6.12
- B EXISTING PORTLAND CEMENT CONCRETE SIDEWALK, 5"
- C EXISTING AGGREGATE BASE COURSE, 6"
- 1 PROPOSED POLYMERIZED LEVELING BINDER (MACHINE METHOD) IL-4.75, N50, MINIMUM 3/4"
- 2 PROPOSED HOT-MIX ASPHALT SURFACE COURSE, MIX "D", N50, 1 1/2"
- 3 PROPOSED CLASS D PATCH, 6"
- 4 PROPOSED PORTLAND CEMENT CONCRETE SIDEWALK, 5"
- 5 PROPOSED INTERMITTENT COMBINATION CONCRETE CURB AND GUTTER REMOVAL AND REPLACEMENT

Drawing file: W:\Projects\09009163 - Madison Street\_LAMP\TYPSEC.dwg Oct 21, 2009 - 4:10pm

**HANCOCK ENGINEERING**  
Civil Engineers  
Municipal Consultants  
Established 1911

9303 Riverdale Road  
Westchester, IL 60591-2786  
Phone: 708-665-0300  
Fax: 708-665-1212

USER NAME -	DESIGNED - CH	REVISED -
PLOT SCALE -	DRAWN - LEV	REVISED -
PLOT DATE -	CHECKED - MDL	REVISED -
	DATE - 08/21/09	REVISED -

STATE OF ILLINOIS  
DEPARTMENT OF TRANSPORTATION

<b>EXISTING &amp; PROPOSED TYPICAL CROSS SECTIONS</b>	
SCALE: NONE	SHEET NO. 1 OF 1 SHEETS
STA. _____	TO STA. _____

F.A.U. RTE. 1419	SECTION 09-00140-00-RS	COUNTY COOK	TOTAL SHEETS 14	SHEET NO. 4
CONTRACT NO. 63366			FED. ROAD DIST. NO. 1 ILLINOIS FED. AID PROJECT ARA-903(344)	