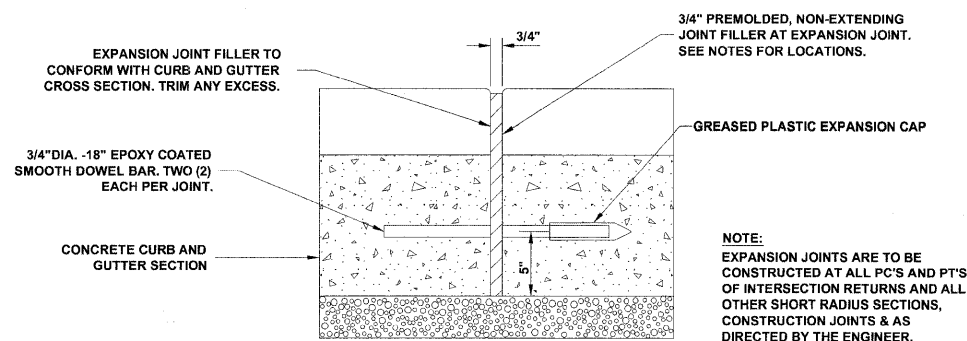
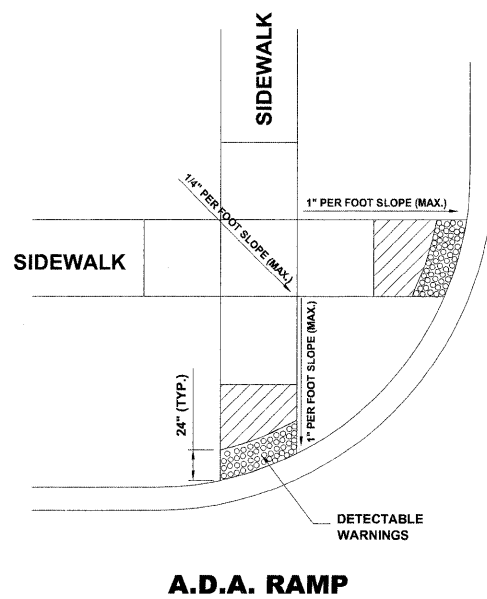


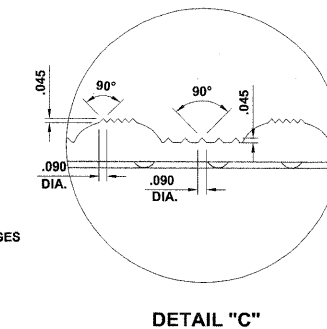
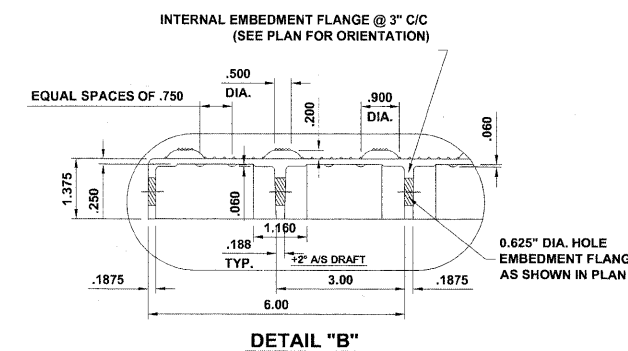
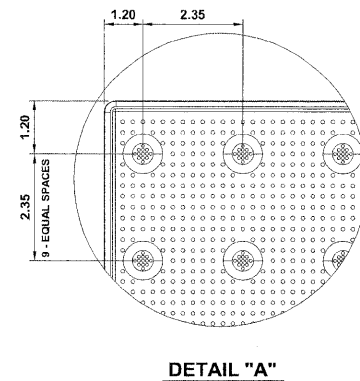
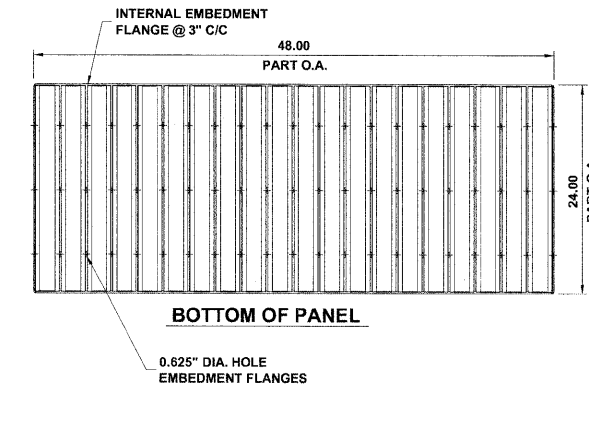
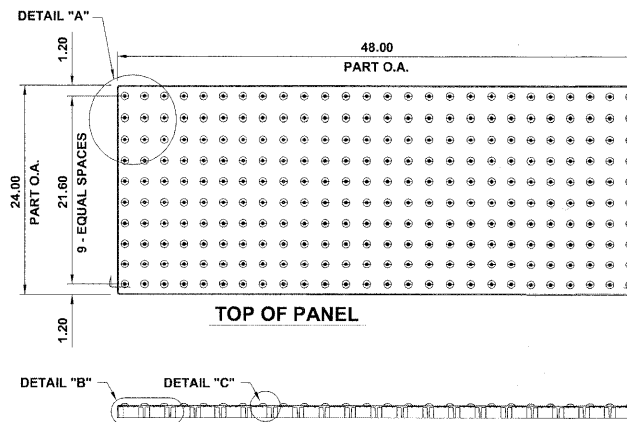
**COMBINATION CONCRETE CURB & GUTTER
TYPE B-6.12 (MODIFIED)**



**TYPICAL CURB AND GUTTER
EXPANSION JOINT**

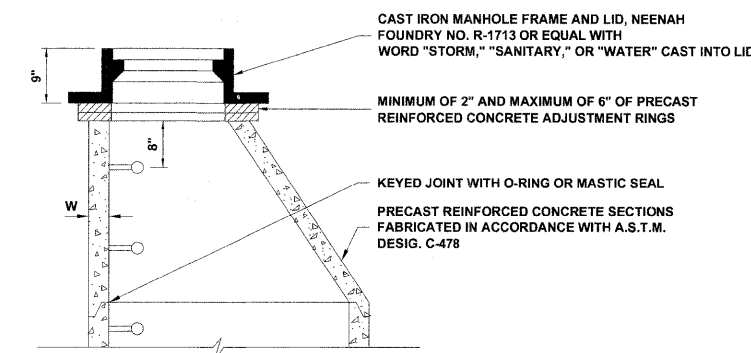


A.D.A. RAMP



NOTE:
COMPOSITE PAVER TILE USED
SHALL BE AS MANUFACTURED
BY ADA SOLUTIONS, INC., OR
AS APPROVED BY ENGINEER.

**CAST-IN-PLACE COMPOSITE PAVER TILE
FOR DETECTABLE WARNING**



STRUCTURE RECONSTRUCTION

Drawing file: W:\Projects\080209163 - Madison Street LUPP\Details.dwg Oct 21, 2009 - 4:10pm

HANCOCK ENGINEERING
Civil Engineers
Municipal Consultants
Established 1911

1911 Riverside Road
Waukegan, Illinois 60087-2700
Phone: 815-465-0300
Fax: 815-465-1212

USER NAME -	DESIGNED - CH	REVISED -
PLOT SCALE -	DRAWN - LEV	REVISED -
PLOT DATE -	CHECKED - MDL	REVISED -
	DATE - 08/21/09	REVISED -

**STATE OF ILLINOIS
DEPARTMENT OF TRANSPORTATION**

DETAILS
SCALE: NONE SHEET NO. 1 OF 1 SHEETS STA. TO STA.

F.A.U. RTE. 1419	SECTION 09-00140-00-RS	COUNTY COOK	TOTAL SHEETS 14	SHEET NO. 7
CONTRACT NO. 63366				
FED. ROAD DIST. NO. 1 ILLINOIS FED. AID PROJECT ARA-903(344)				