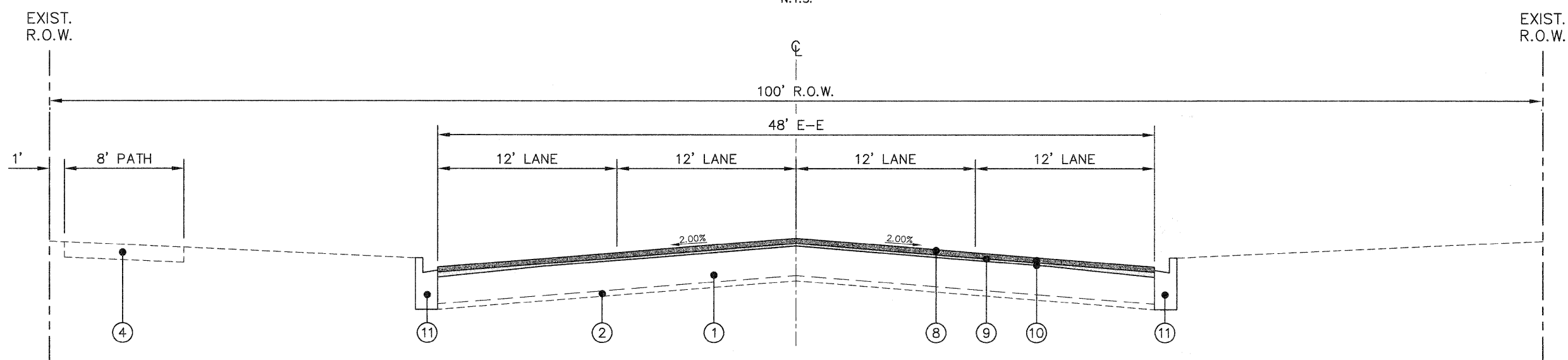


**EXISTING TYPICAL SECTION**  
FROM STATION 1985+23 TO STATION 1991+50, BATAVIA ROAD  
N.T.S.



**PROPOSED TYPICAL SECTION**  
FROM STATION 1985+23 TO STATION 1991+50, BATAVIA ROAD  
N.T.S.

LEGEND	
① EXISTING 15" FULL-DEPTH ASPHALT PAVEMENT	⑦ HOT-MIX ASPHALT SURFACE REMOVAL, 3"
② EXISTING AGGREGATE BASE COURSE	⑧ HOT-MIX ASPHALT SURFACE COURSE, MIX "D", N50, 2.0"
③ EXISTING 8-6.12 COMBINATION CONCRETE CURB AND GUTTER	⑨ POLYMERIZED LEVELING BINDER (MACHINE METHOD), IL-4.75, N50, 1.0"
④ EXISTING PORTLAND CEMENT CONCRETE BIKE PATH	⑩ BITUMINOUS MATERIALS (PRIME COAT) AND AGGREGATE (PRIME COAT)
⑤ EXISTING AGGREGATE SHOULDER	⑪ COMBINATION CONCRETE CURB AND GUTTER REMOVAL AND REPLACEMENT (AT VARIOUS LOCATIONS)
⑥ AGGREGATE WEDGE SHOULDER, TYPE "B"	

**HOT-MIX ASPHALT MIXTURE REQUIREMENTS**

OPERATION	MIXTURE TYPE	AIR VOIDS @ Ndes
RESURFACING	POLYMERIZED LEVELING BINDER (MACHINE METHOD), IL-4.75, N50	4% @ 50 Gyr.
	HOT-MIX ASPHALT SURFACE COURSE, MIX "D", N50 (IL-9.5 mm)	4% @ 50 Gyr.
DRIVEWAYS	HOT-MIX ASPHALT DRIVEWAY REMOVAL AND REPLACEMENT	
	HMA SURFACE COURSE, MIX "C", N50 (IL 9.5 mm); 2.0"	4% @ 50 Gyr.
	HOT-MIX ASPHALT DRIVEWAY REMOVAL AND REPLACEMENT, 8" HMA SURFACE COURSE, MIX "C", N50 (IL 9.5 mm); 2" HMA BASE COURSE (HMA BINDER IL-19 mm); 6" (TO BE PLACED IN TWO LIFTS)	4% @ 50 Gyr.
PATCHING	CLASS D PATCHES (HMA BINDER IL-19 mm)	4% @ 70 Gyr.

THE UNIT WEIGHT USED TO CALCULATE ALL HMA SURFACE MIXTURE QUANTITIES IS 112 LBS/SQ YD/IN.  
THE "AC TYPE" FOR POLYMERIZED HMA MIXES SHALL BE "SBS/SBR PG 70 -22" AND FOR NON-POLYMERIZED HMA THE "AC TYPE" SHALL BE "PG 64 -22" UNLESS MODIFIED BY DISTRICT ONE SPECIAL PROVISIONS.  
FOR "PERCENT OF RAP" SEE DISTRICT ONE SPECIAL PROVISIONS.  
PATCHING SHALL BE PERFORMED AFTER MILLING OPERATIONS

Plotted: October 13, 2009 @ 2:13 PM By: Terri Seidler-Johnson - Tab: 04 X-Sections 22x34

**Engineering Enterprises, Inc.**  
CONSULTING ENGINEERS  
52 Wheeler Road  
Sugar Grove, Illinois 60554  
630.466.6700 / www.eelweb.com

**CITY OF WARRENVILLE**  
DUPAGE COUNTY, ILLINOIS

NO.	DATE	REVISIONS

**BATAVIA ROAD**  
LAPP IMPROVEMENTS

**TYPICAL EXISTING AND PROPOSED CROSS SECTIONS**