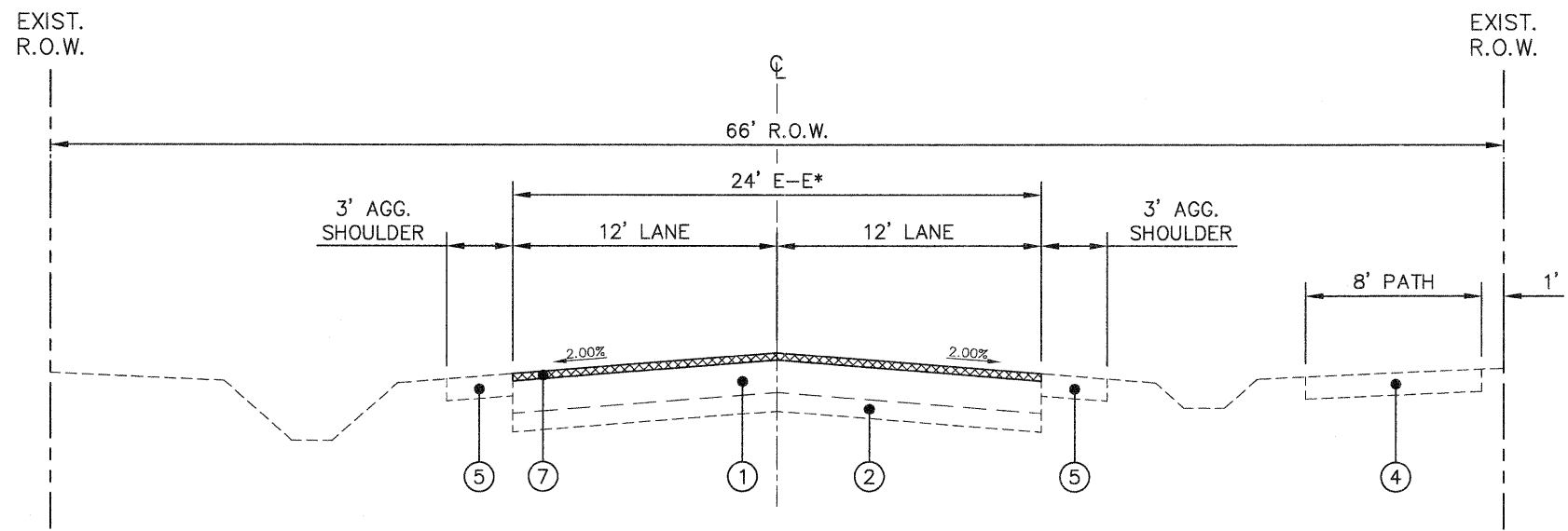


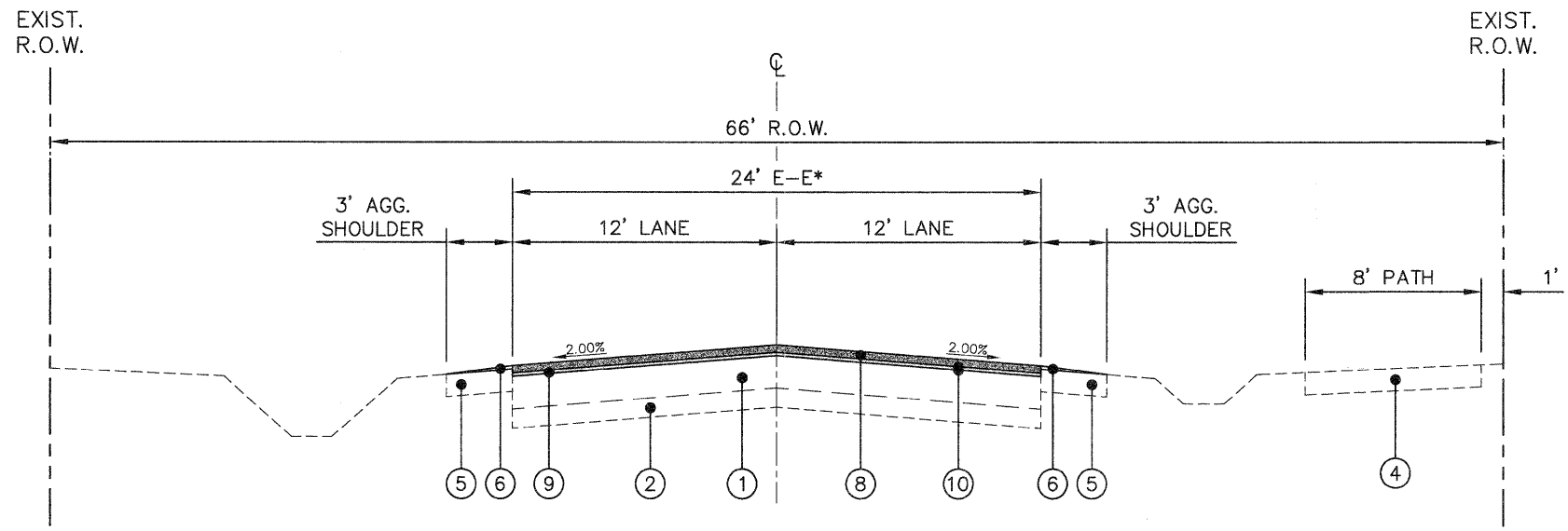
F.A.U. RTE.	SECTION	COUNTY	TOTAL SHEETS	SHEET NO.
3553	09-00029-00-RS	DUPAGE	27	6
CONTRACT NO. 63373				



EXISTING TYPICAL SECTION

FROM STATION 2015+00 TO STATION 2043+17, BATAVIA ROAD
N.T.S.

* NOTE:
ROADWAY WIDENS AND TURN
LANES ARE ADDED AT IL 56



PROPOSED TYPICAL SECTION

FROM STATION 2015+00 TO STATION 2043+17, BATAVIA ROAD
N.T.S.

LEGEND	
①	EXISTING 15" FULL-DEPTH ASPHALT PAVEMENT
②	EXISTING AGGREGATE BASE COURSE
③	EXISTING B-6.12 COMBINATION CONCRETE CURB AND GUTTER
④	EXISTING PORTLAND CEMENT CONCRETE BIKE PATH
⑤	EXISTING AGGREGATE SHOULDER
⑥	AGGREGATE WEDGE SHOULDER, TYPE "B"
⑦	HOT-MIX ASPHALT SURFACE REMOVAL, 3"
⑧	HOT-MIX ASPHALT SURFACE COURSE, MIX "D", N50, 2.0"
⑨	POLYMERIZED LEVELING BINDER (MACHINE METHOD), IL-4.75, N50, 1.0"
⑩	BITUMINOUS MATERIALS (PRIME COAT) AND AGGREGATE (PRIME COAT)
⑪	COMBINATION CONCRETE CURB AND GUTTER REMOVAL AND REPLACEMENT (AT VARIOUS LOCATIONS)

Plotted: October 13, 2009 @ 10:19 AM By: Terri Seider-Johnson - Tab: 06 X-Sections 22x34

Engineering Enterprises, Inc.
CONSULTING ENGINEERS
52 Wheeler Road
Sugar Grove, Illinois 60554
630.466.6700 / www.eeiweb.com

CITY OF WARRENVILLE
DUPAGE COUNTY, ILLINOIS

NO.	DATE	REVISIONS

BATAVIA ROAD
LAPP IMPROVEMENTS

TYPICAL EXISTING AND PROPOSED CROSS SECTIONS

DATE:	OCTOBER 2009
PROJECT NO:	WV0902
FILE:	WV0902-CVR
SHEET	6 OF 27

Path: H:\SP5K\PROJ\WV0902\DWG\WV0902.DWG FINAL ENG\WV0902-CVR