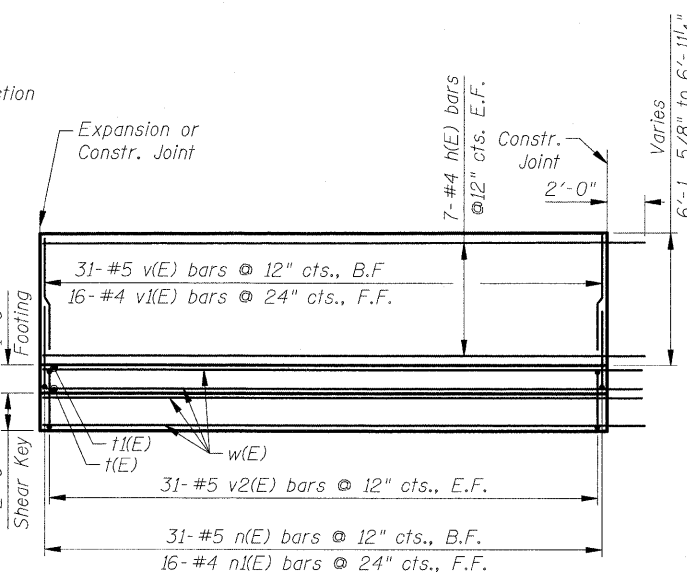
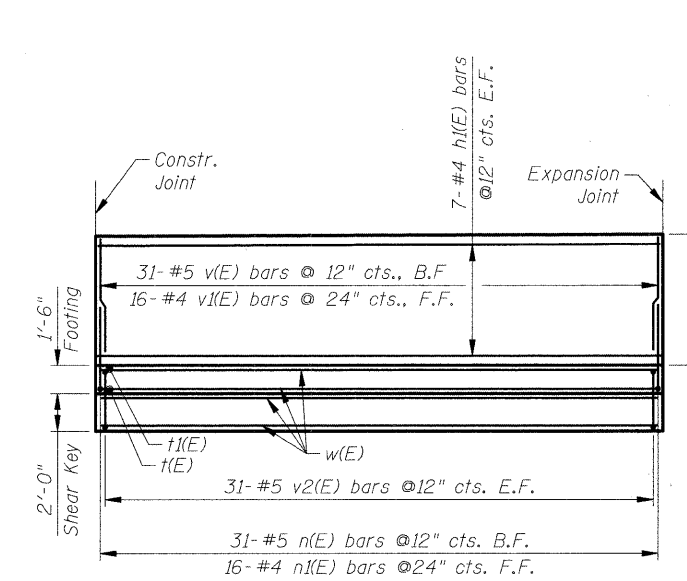


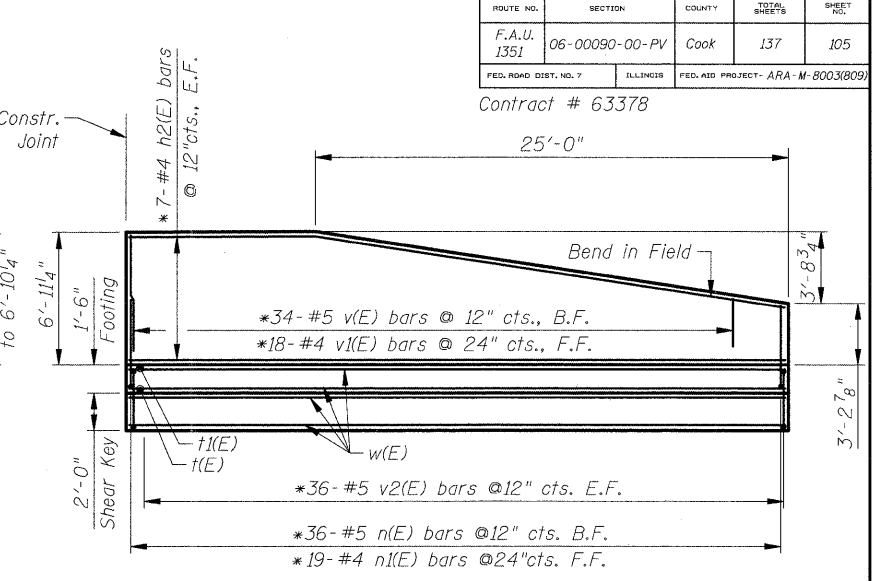
ELEVATION A
(1 Total)



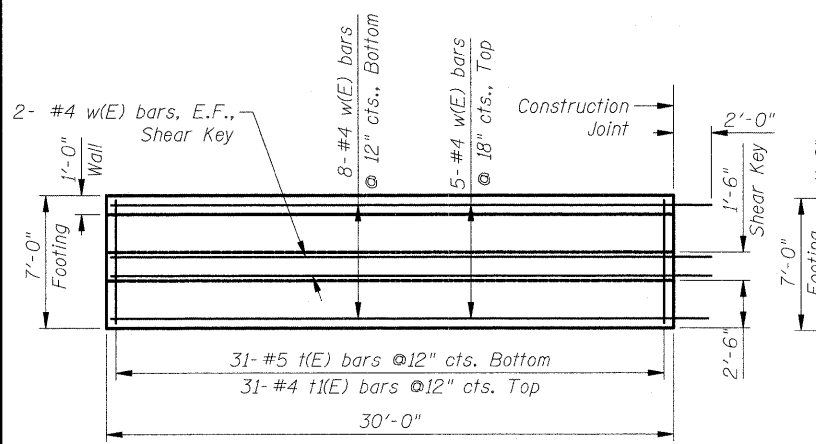
ELEVATION B
(4 Total)



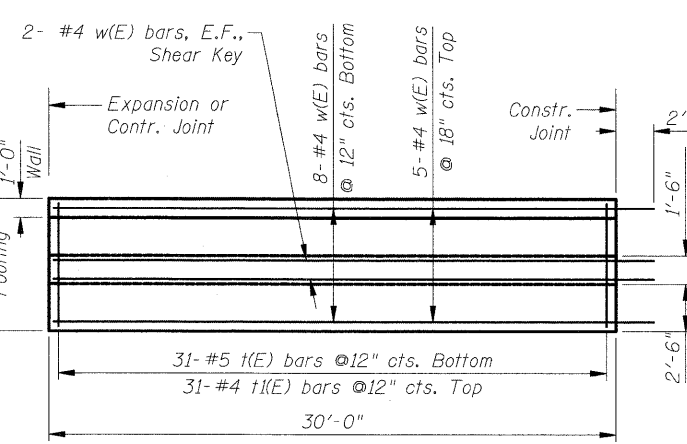
ELEVATION C
(2 Total)



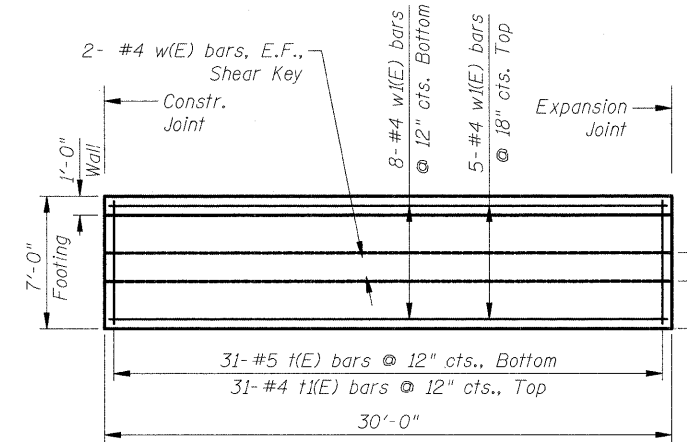
ELEVATION D
(1 Total)



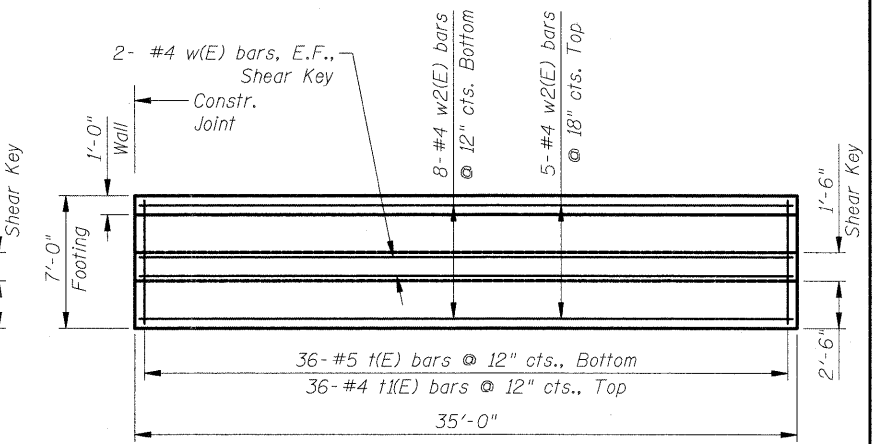
PLAN A
(1 Total)



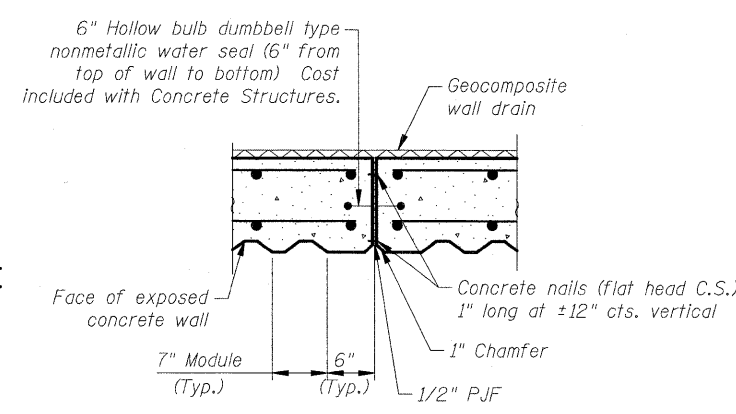
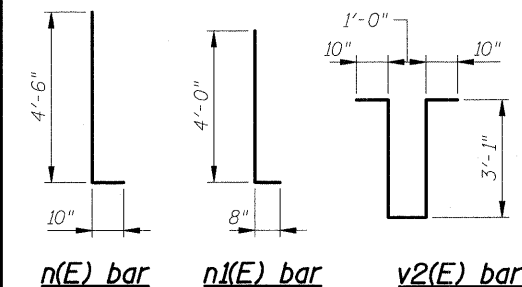
PLAN B
(4 Total)



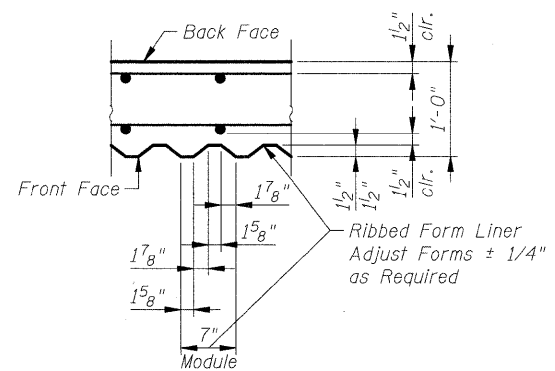
PLAN C
(2 Total)



PLAN D
(1 Total)



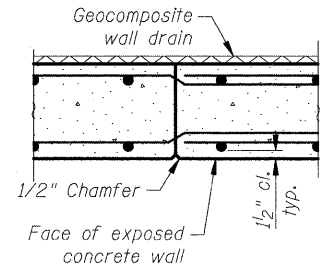
EXPANSION JOINT



FORM LINER TEXTURED SURFACE DETAIL

BILL OF MATERIAL

Bar	No.	Size	Length	Shape
h(E)	70	#4	31'-10"	—
h1(E)	28	#4	29'-8"	—
h2(E)	14	#4	34'-8"	—
n(E)	253	#5	5'-4"	L
n1(E)	131	#4	4'-8"	L
h(E)	253	#5	6'-8"	—
t1(E)	253	#4	6'-8"	—
v(E)	242	#5	5'-9"	—
v1(E)	127	#4	5'-9"	—
v2(E)	253	#5	8'-10"	—
w(E)	85	#4	31'-10"	—
w1(E)	34	#4	29'-8"	—
w2(E)	17	#4	34'-8"	—
Reinforcement Bars, Epoxy Coated			Pound	14,670
Concrete Structures			Cu. Yd.	190.0



CONSTRUCTION JOINT

W2 OF W4

STATE OF ILLINOIS
DEPARTMENT OF TRANSPORTATION
SECTION & DETAILS
RETAINING WALL
WRIGHT BOULEVARD (F.A.U RTE. 1351)
SECTION 06-00090-00-PV
COOK COUNTY
STA. 118+30 TO STA. 120+75

Scale: None
Date: October 16, 2009

Designed By: D. Atkins
Checked by: M. Lange

Notes:
1. * Cut bars in field to fit All reinforcement shall be epoxy coated.