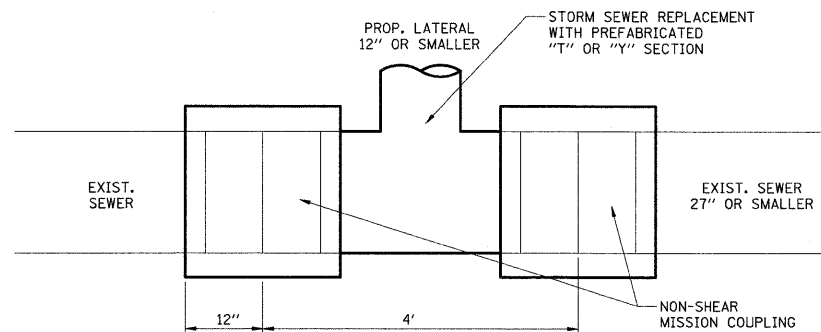
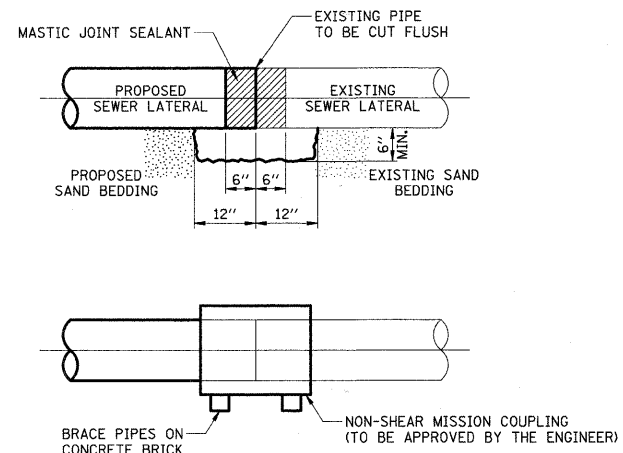


DATE	
BY	
PLAN	
NOTE BOOK	
NO.	
SURVEYED	
PLOTTED	
GRADES CHECKED	
STRUCTURE NOTATIONS CHECKED	
FILE NAME	

DATE	
BY	
PROFILE	
NOTE BOOK	
NO.	
SURVEYED	
PLOTTED	
GRADES CHECKED	
STRUCTURE NOTATIONS CHECKED	



DETAIL A
LATERAL CONNECTION TO EXISTING SEWER OF 27" OR SMALLER



CONSTRUCTION SEQUENCE

1. CUT THE EXISTING END OF THE PIPE SO AS TO PRESENT A FLUSH BUTT JOINT. BRUSH AND CLEAN ALL PIPES.
2. APPLY THE MASTIC JOINT SEALANT TO THE FIRST 6" OF EACH PIPE.
3. BUTT THE PIPES TOGETHER LEAVING A MINIMUM OF 12" x 6" DEEP EXCAVATION UNDER AND AROUND EACH PIPE END.
4. INSTALL MISSION COUPLING.
5. WIPE OFF ANY EXCESS MASTIC JOINT SEALANT THAT OZES OUT FROM BETWEEN THE SHEET METAL AND THE PIPES.
6. SUPPORT EACH PIPE END WITH CONCRETE BRICK.

DETAIL B
NON-SHEAR MISSION COUPLING
NOT TO SCALE

NOTES

MATERIAL

MATERIAL USED FOR THE TEE OR WYE SECTION SHALL BE COMPATIBLE WITH THE EXISTING STORM SEWER OR THE PROPOSED STORM SEWER.

CONSTRUCTION METHODS

- I THIS WORK SHALL BE CONSTRUCTED IN CONFORMANCE WITH THE APPLICABLE PORTIONS OF SECTION 550 OF THE STANDARD SPECIFICATIONS.
- II CONNECTION TO AN EXISTING STORM SEWER SHALL BE BY EITHER OF THE FOLLOWING METHODS:
 - A) PROPOSED STORM SEWER CONNECTIONS TO EXISTING SEWER OF 27" OR SMALLER SEE DETAIL "A" AND "B".
 - B) PROPOSED STORM SEWER CONNECTION TO EXISTING SEWER OF 30" OR LARGER SEE DETAIL "C".

IF THE EXISTING SEWER PIPE IS CRACKED, BROKEN OR OTHERWISE DAMAGED BY THE CONTRACTOR IN MAKING THE CIRCULAR OPENING, THE CONTRACTOR SHALL REPLACE THAT SECTION OF PIPE WITH PIPE EQUAL AND SIMILAR IN ALL RESPECTS TO THE PIPE IN THE EXISTING SEWER, IN A CAREFUL WORKMANLIKE MANNER, WITHOUT EXTRA COMPENSATION.

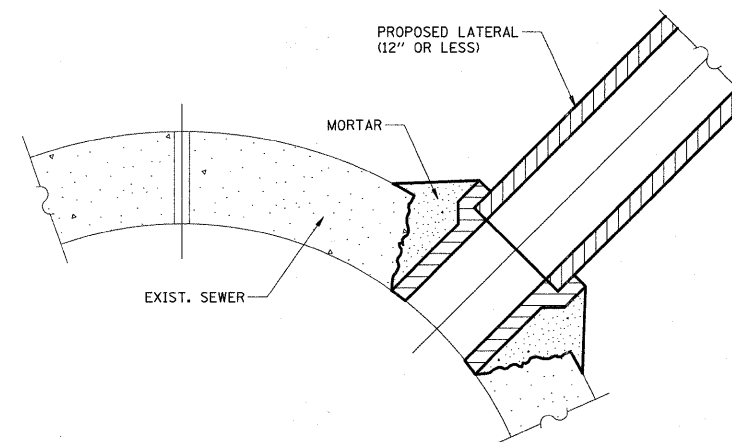
GENERAL

CARE MUST BE TAKEN TO PREVENT DEBRIS FROM ENTERING THE SEWER. ALL DEBRIS WHICH ENTERS THE SEWER MUST BE REMOVED. THE SEWER MUST BE LEFT CLEAN AND UNOBSTRUCTED UPON COMPLETION OF THE CONTRACT.

CARE MUST BE TAKEN TO PREVENT ANY PART OF THE NEW PIPE CONNECTION FROM PROJECTING INTO THE EXISTING SEWER.

REMOVAL AND REINSTALLATION OF EXISTING STORM SEWER ADJACENT TO THE PROPOSED TEE OR WYE SECTION, FOR THE PURPOSE OF FACILITATING THE INSTALLATION OF THE TEE OR WYE SECTION, WILL NOT BE PAID FOR SEPARATELY BUT SHALL BE INCLUDED IN THE COST OF THE STORM SEWER BEING CONSTRUCTED.

THIS WORK SHALL NOT BE PAID FOR SEPARATELY BUT SHALL BE INCLUDED IN THE COST OF THE STORM SEWERS BEING CONSTRUCTED.



DETAIL C
PROPOSED LATERAL CONNECTION TO EXISTING SEWER OF 30" OR LARGER

FILE NAME = J:\2215\cad\sheet\2215.Deta1.02.dgn

USER NAME = jat
PLOT SCALE = 1.0000' / 1" IN.
PLOT DATE = 10/15/2009

DESIGNED - DJK
DRAWN - DJK
CHECKED -
DATE - 10-16-09

REVISED -
REVISED -
REVISED -
REVISED -

**STATE OF ILLINOIS
DEPARTMENT OF TRANSPORTATION**

CONSTRUCTION DETAILS

SHEET NO. 2 OF 3 SHEETS

F.A.U. RTE.	SECTION	COUNTY	TOTAL SHEETS	SHEET NO.
1351	06-00090-00-PV	COOK	137	109
CONTRACT NO. 63378				

FED. ROAD DIST. NO. 1 ILLINOIS FED. AID PROJECT ARA-M-8003 (809)