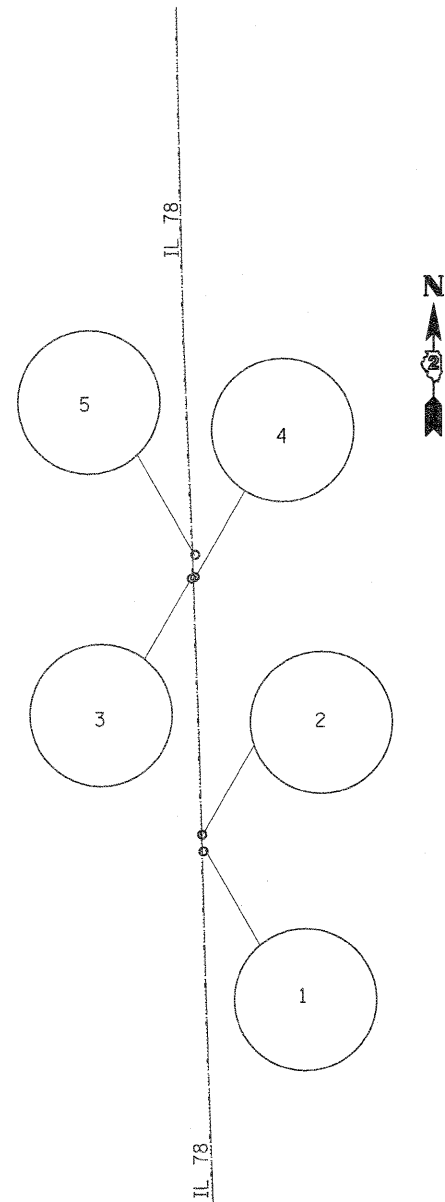
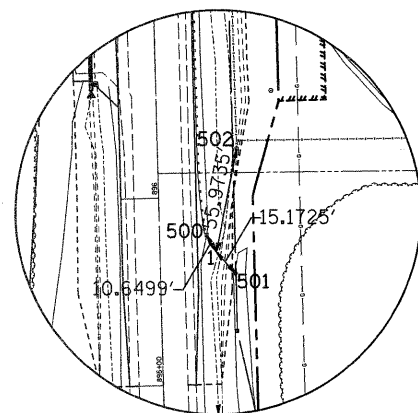


HORIZONTAL & VERTICAL CONTROL

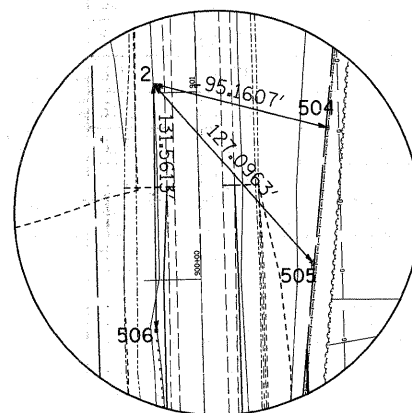


REFERENCE TIES				
POINT	CHAIN	STATION	OFFSET	DESCRIPTION
500	IL78	895+80.02	25.0095' RT	VERTICAL CONTROL STATION, END
501	IL78	895+58.78	39.4688' RT	END, SHINER
502	IL78	896+25.19	42.1916' RT	SHINER, SHINER
503	IL78	897+19.79	52.3491' LT	SHINER, WITNESS CORNER
504	IL78	900+79.25	69.1067' RT	WITNESS CORNER, SHINER
505	IL78	900+07.64	59.366' RT	SHINER, SHINER
506	IL78	899+73.26	24.4282' LT	SHINER, END
507	IL78	970+22.48	58.3814' RT	END, SHINER
508	IL78	970+24.25	59.4454' RT	SHINER, BACK
509	IL78	970+42.72	23.628' RT	BACK, END
510	IL78	969+15.03	62.4987' RT	END, SHINER
511	IL78	968+70.90	58.8292' RT	SHINER, SHINER
512	IL78	967+90.24	24.2116' RT	SHINER, END
513	IL78	968+15.27	24.1756' LT	END, END
514	IL78	968+26.12	64.6446' LT	END, SHINER
515	IL78	968+71.06	64.8485' LT	SHINER, SHINER
516	IL78	974+26.85	79.1346' RT	SHINER, SHINER
517	IL78	974+66.65	78.8547' RT	SHINER, SHINER
518	IL78	975+23.74	77.1549' RT	SHINER, SHINER

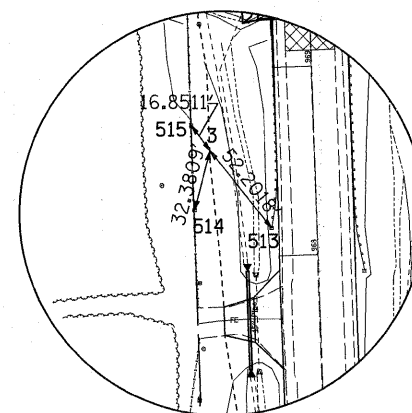
HORIZONTAL CONTROL POINTS							
POINT	NORTH	EAST	ELEVATION	CHAIN	STATION	OFFSET	DESCRIPTION
1	2091138.9822	2346125.3184	946.5432	IL78	895+70.58	29.9334' RT	TOPO SURVEY POINT, PIN
2	2091671.6015	2346058.4108	943.1979	IL78	901+04.81	22.5575' LT	TOPO SURVEY POINT, PIN
3	2098418.9627	2345806.6202	923.7272	IL78	968+57.14	55.3493' LT	TOPO SURVEY POINT, PIN
4	2098472.8762	2345889.5556	921.3874	IL78	969+08.07	29.4512' RT	TOPO SURVEY POINT, PIN
5	2098994.7860	2345893.8600	939.3929	IL78	974+29.42	52.5485' RT	TOPO SURVEY POINT, PIN



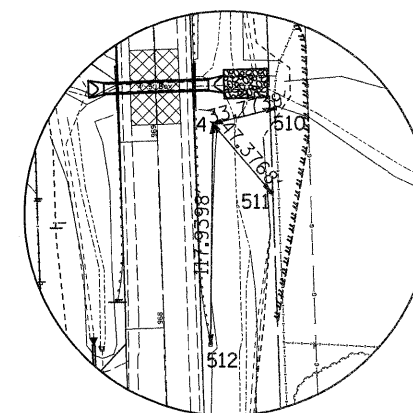
HORIZONTAL CONTROL POINT NO. 1



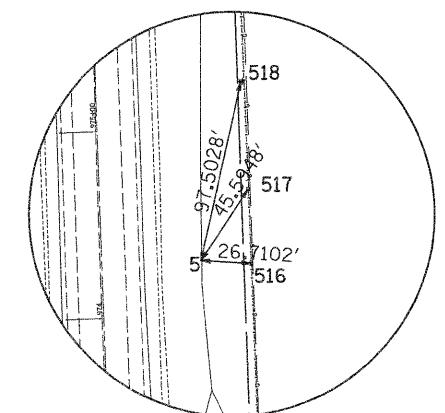
HORIZONTAL CONTROL POINT NO. 2



HORIZONTAL CONTROL POINT NO. 3



HORIZONTAL CONTROL POINT NO. 4



HORIZONTAL CONTROL POINT NO. 5