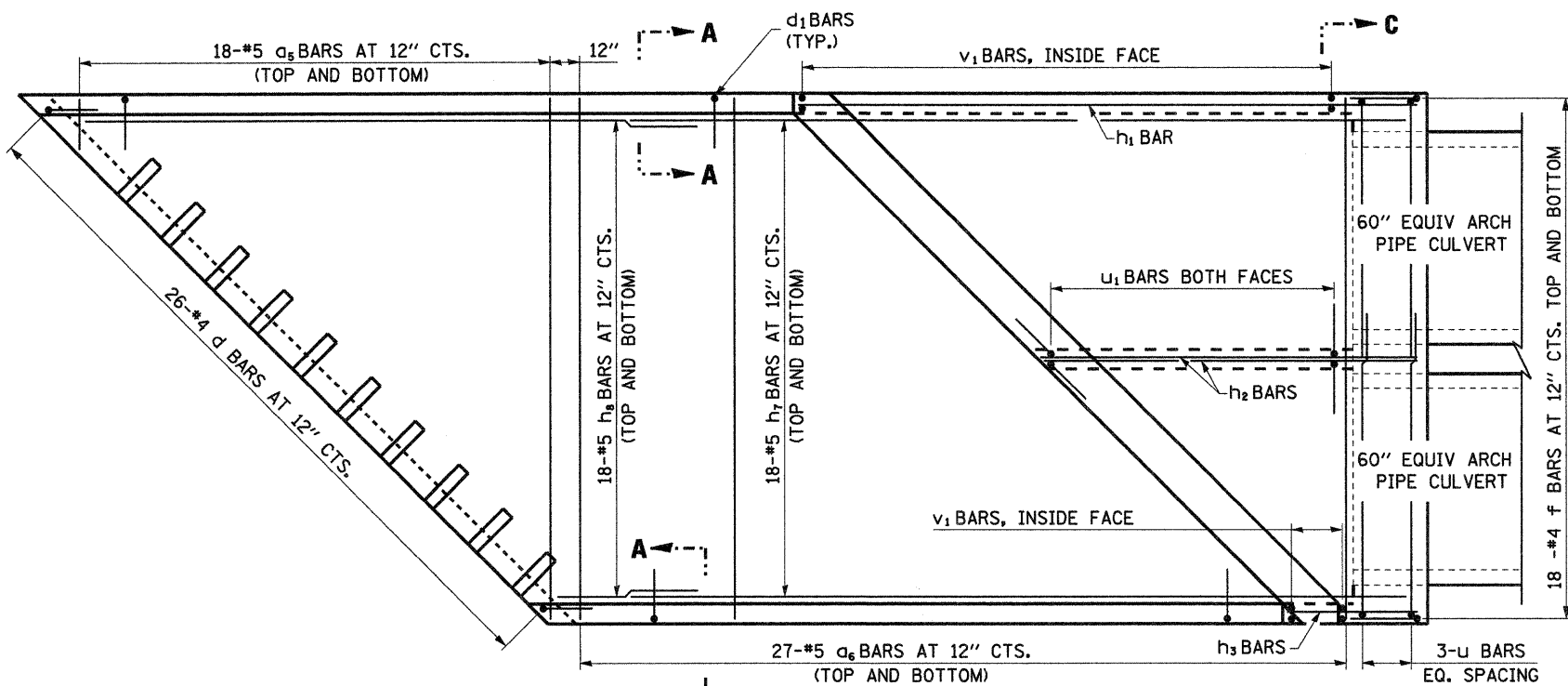
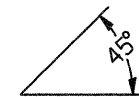


# GRATED CULVERT EXTENSION, NO. 1

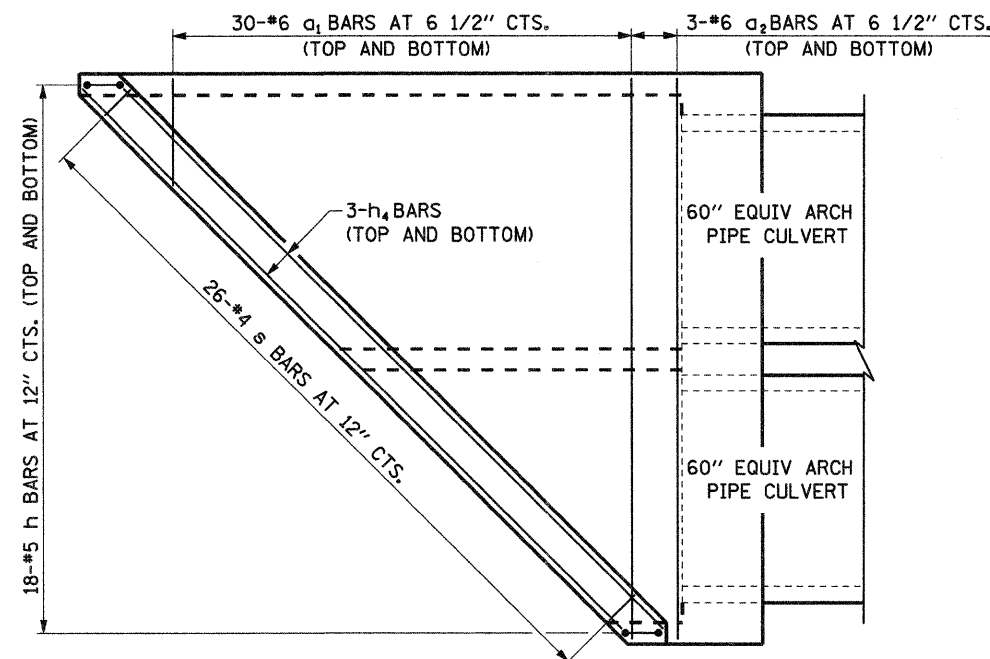
## SN 043-1041 - RT & LT STA. 897+77.46 (IL RTE 78)

### CULVERT @ 45° SKEW TO RDWY



**PLAN VIEW-BOTTOM**

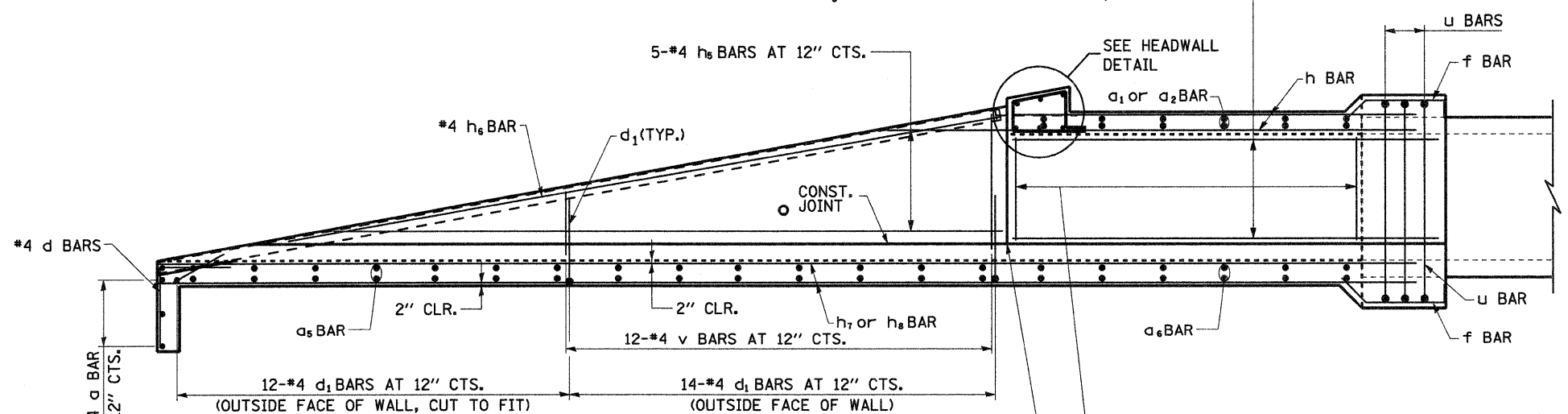
(BOTTOM SLAB REINFORCEMENT DETAIL)  
(SHOWN NOT TO SCALE FOR CLARITY)



**PLAN VIEW-TOP**

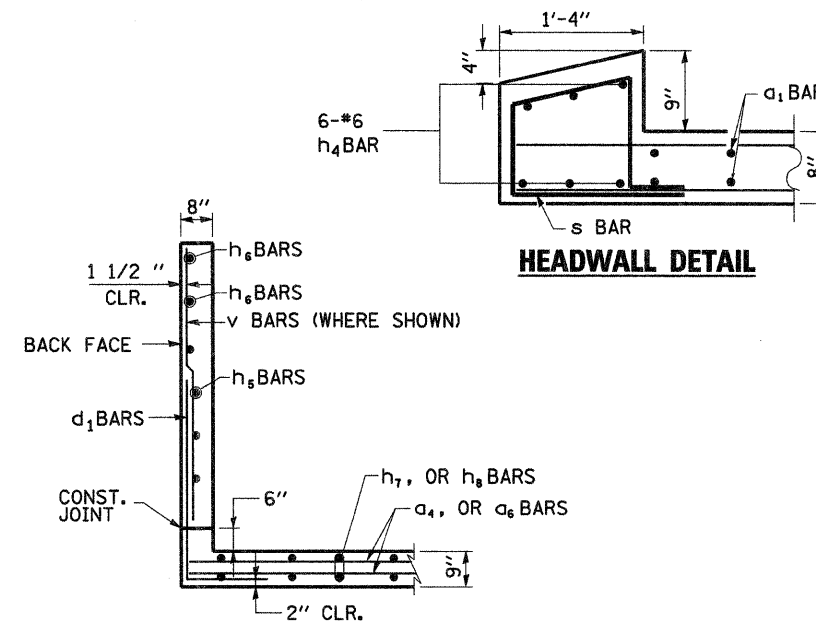
(TOP SLAB REINFORCEMENT DETAIL)  
(SHOWN NOT TO SCALE FOR CLARITY)

4-#5  $h_1$  BARS AT 12" CTS. (INSIDE FACE, LONG WALL)  
8-#5  $h_2$  BARS AT 12" CTS. (CENTER WALL, EACH FACE)  
4-#5  $h_3$  BARS AT 12" CTS. (INSIDE FACE, SHORT WALL)



**SIDE VIEW**

(REINFORCEMENT DETAIL)  
(SHOWN NOT TO SCALE FOR CLARITY)



**HEADWALL DETAIL**

**SECTION A-A (WINGWALL)**

COMPANY NAME: SEC GROUP, INC.  
 PROJECT CONTACT: ROBERT DAVIES  
 DATE PLOTTED: 8/4/2009 10:02:13 AM  
 FILE NAME: IL-78.dgn  
 PLOT DRIVER: pldrvr  
 PEN TABLE: struct.tbl



USER NAME = whood	DESIGNED - MGH	REVISED -
PLOT SCALE =	DRAWN - WJH	REVISED -
PLOT DATE = 8/4/2009	CHECKED - RGD	REVISED -
	DATE - 4/22/2009	REVISED -

**STATE OF ILLINOIS  
DEPARTMENT OF TRANSPORTATION**

**GRATED CULVERT EXTENSION, NO. 1 RT & LT STA. 897+77.46  
SHEET 2 OF 3**

F.A.P. RTE. 650	SECTION 104T-2	COUNTY JODAVIES	TOTAL SHEETS 53	SHEET NO. 26
CONTRACT NO. 64C79				
FED. ROAD DIST. NO. [ILLINOIS] FED. AID PROJECT				

SCALE: SHEET NO. OF SHEETS STA. TO STA.