

PRE-STAGE 1 CONSTRUCTION

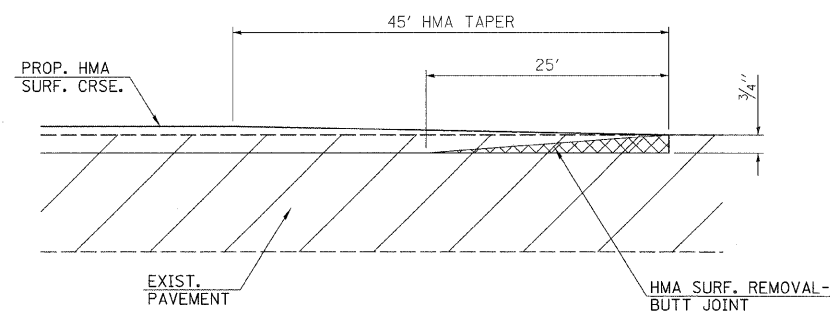
1. MILL NB LANES AND OUTSIDE SHOULDER OF IL RTE 2 IN THE AREA OF THE EXISTING BRIDGE.
2. INSTALL STEEL PLATES ON NB LANES OF IL RTE 2 AT EXISTING BRIDGE.
3. CONSTRUCT NEW SURFACE COURSE ON NB LANES AND OUTSIDE SHOULDER OF IL RTE 2.
4. MILL EXISTING MEDIAN ON IL RTE 2 ON THE NORTH LEG OF THE INTERSECTION OF IL RTE 2 AND BELT LINE RD.
5. INSTALL TEMPORARY TRAFFIC SIGNALS AT THE INTERSECTION OF IL RTE 2 AND BELT LINE RD.

PRE-STAGE 1 TRAFFIC

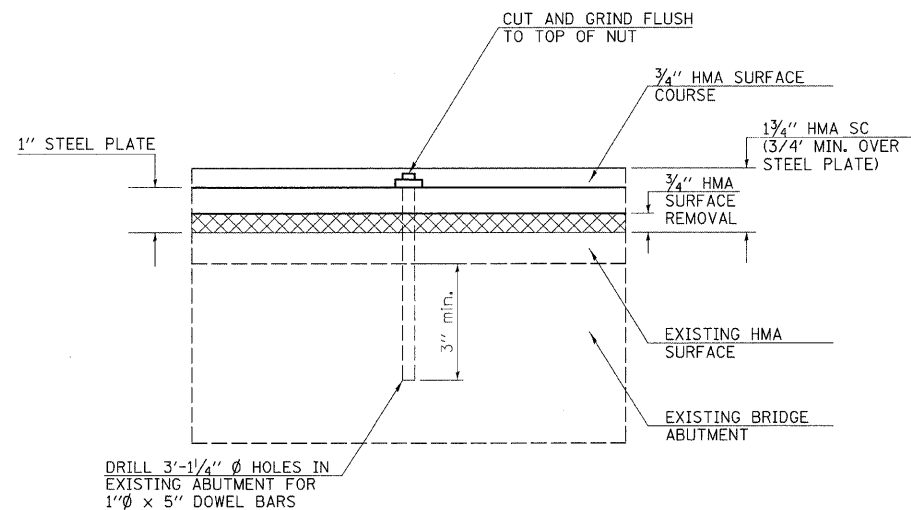
1. CHANGE THE LEFT/THRU LANE ON IL RTE 2 WEST OF THE INTERSECTION IL RTE 2 AND BELTLINE TO A THRU ONLY LANE.
2. USE HIGHWAY STANDARD 701421 TO MILL AND RESURFACE IL RTE 2, WITH THE FOLLOWING MODIFICATIONS TO HIGHWAY STANDARD 701421:
 - THE LANE CLOSURE SHALL BE LOCATED ON BELTLINE SOUTH OF THE INTERSECTION OF IL RTE 2 AND BELTLINE.
 - ROAD CONSTRUCTION 1 MILE (W20-I103(0)-48) SIGN SHALL BE REPLACED WITH ROAD CONSTRUCTION AHEAD (W20-I103(0)-48) SIGN.
 - RIGHT LANE CLOSED 1/2 MILE (W20-5(0)-48) SIGN SHALL BE REPLACED WITH RIGHT LANE CLOSED AHEAD (W20-5(0)-48) SIGN.
 - THE ENGINEER SHALL LOCATE ALL SIGNS AND TRAFFIC CONTROL DEVICES APPROACHING THE LANE CLOSURE AND MODIFY THERE SPACING BASED ON FIELD CONDITIONS.
3. USE HIGHWAY STANDARD 701701 FOR LEFT TURN LANE OR CENTER MEDIAN OPERATIONS TO MILL EXISTING MEDIAN.

PRE-STAGE 1 NOTES

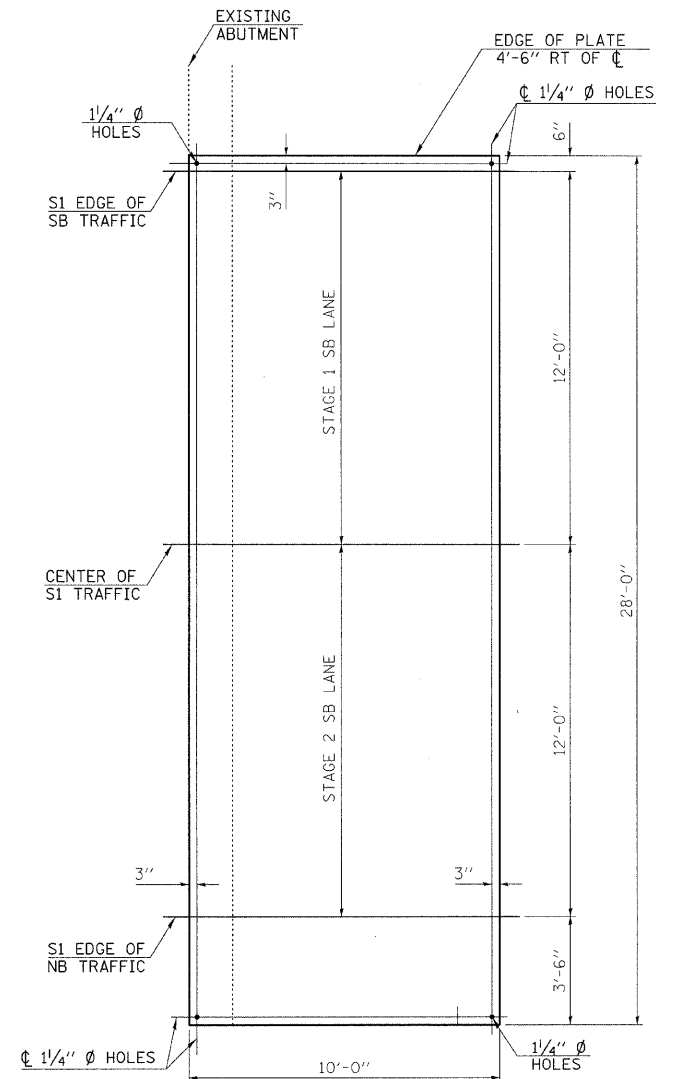
1. THE COST OF THE STEEL PLATES AND THEIR INSTALLATION WILL NOT BE PAID FOR SEPARATELY BUT SHALL BE INCLUDED IN THE CONTRACT UNIT PRICE FOR TRAFFIC CONTROL AND PROTECTION, STANDARD 701421.
2. THE SURFACE COURSE SHALL BE PLACED CONTINUOUSLY ACROSS THE BRIDGE IN ONE LIFT PER LANE. THE DEPTH OF SURFACE COURSE OVER THE STEEL PLATES SHALL BE REDUCED TO A MINIMUM 3/4".
3. THE EXISTING MEDIAN SHALL BE MILLED, DRAINAGE STRUCTURES FILLED AND THE ROAD PATCHED IN ONE DAY (24 HOURS).



TYPICAL BUTT JOINT AND HMA TAPER FOR MILLING AND RESURFACING



STEEL PLATE ANCHOR SECTION



STEEL PLATE DETAIL-(1"x10"x28')

NOTE:
SOUTH END OF BRIDGE SHOWN.
(NORTH END OF BRIDGE SIMILAR).

FILE NAME =	USER NAME = #USER#	DESIGNED -	REVISED -	STATE OF ILLINOIS DEPARTMENT OF TRANSPORTATION	MAINTENANCE OF TRAFFIC			F.A.P. RTE.	SECTION	COUNTY	TOTAL SHEETS	SHEET NO.
#FILE#		DRAWN -	REVISED -		742	34BR-1	WINNEBAGO	78	19			
	PLOT SCALE = #SCALE#	CHECKED -	REVISED -		CONTRACT NO. 64E68							
	PLOT DATE = #DATE#	DATE -	REVISED -		ILLINOIS FED. AID PROJECT							
				SCALE:	SHEET NO. 1 OF 2 SHEETS	STA.	TO STA.					