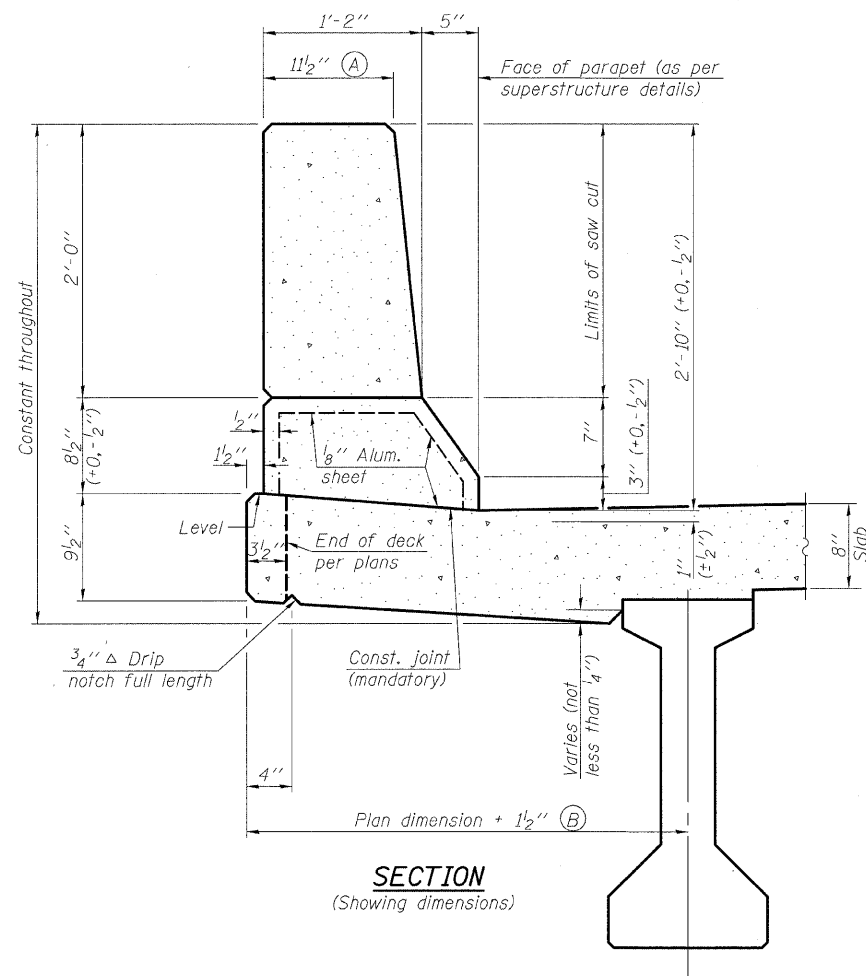
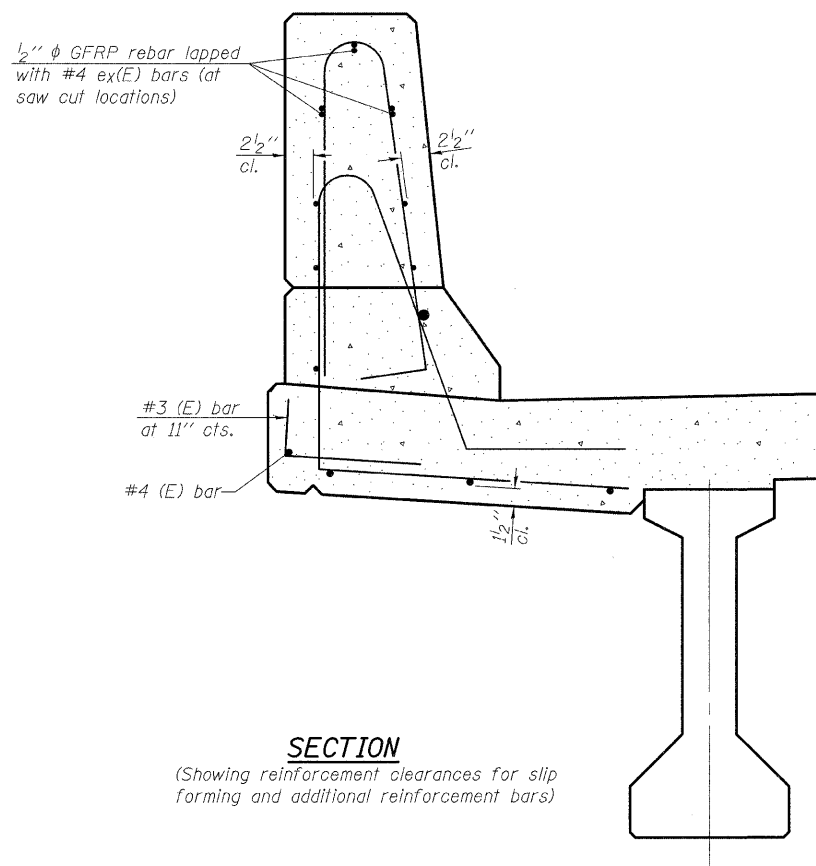


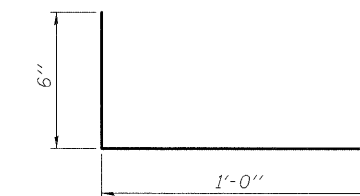
STATE OF ILLINOIS
DEPARTMENT OF TRANSPORTATION



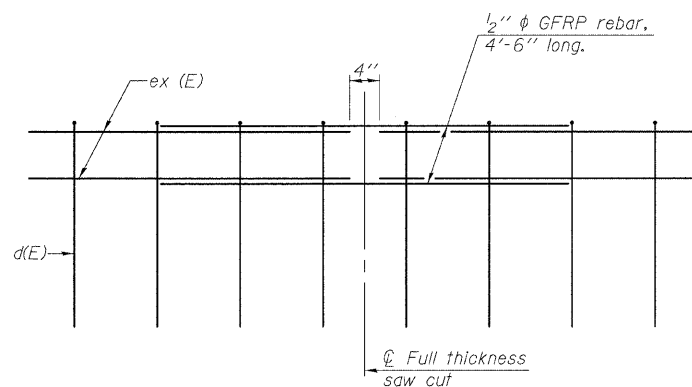
SECTION
(Showing dimensions)



SECTION
(Showing reinforcement clearances for slip forming and additional reinforcement bars)



#3 (E) BAR



GFRP REBAR STIFFENING DETAIL

(Place as shown in parapet section at each parapet joint location.)

DESIGNED	PRD
CHECKED	WAT
DRAWN	RTG
CHECKED	PRD

SFP-34

10-1-08

**CONCRETE PARAPET
SLIPFORMING OPTION
STRUCTURE NO. 101-0184**

SHEET NO. 12 OF 22 SHEETS	F.A.P. RTE. 742	SECTION 34BR-1	COUNTY WINNEBAGO	TOTAL SHEETS 78	SHEET NO. 47
CONTRACT NO. 64E68					
FED. ROAD DIST. NO. 2 ILLINOIS FED. AID PROJECT					

DLZ 85 W. Algonquin Rd. Ste. 220
Arlington Heights IL 60005
DLZ Illinois, Inc.