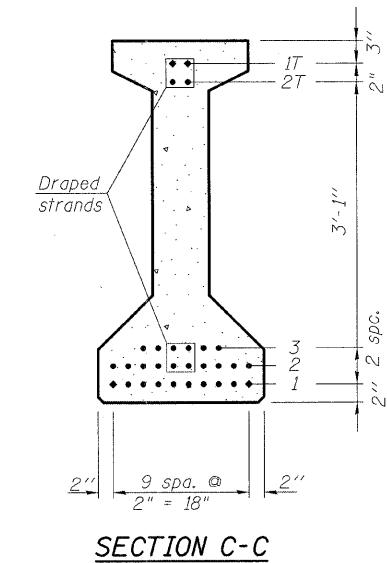
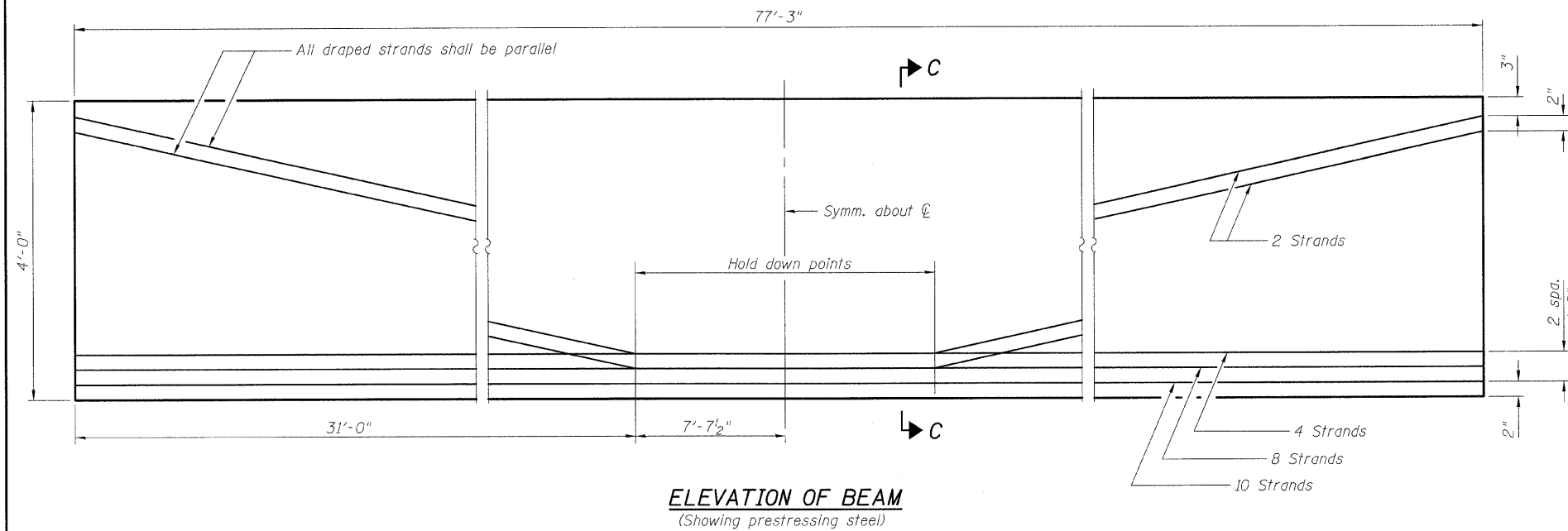
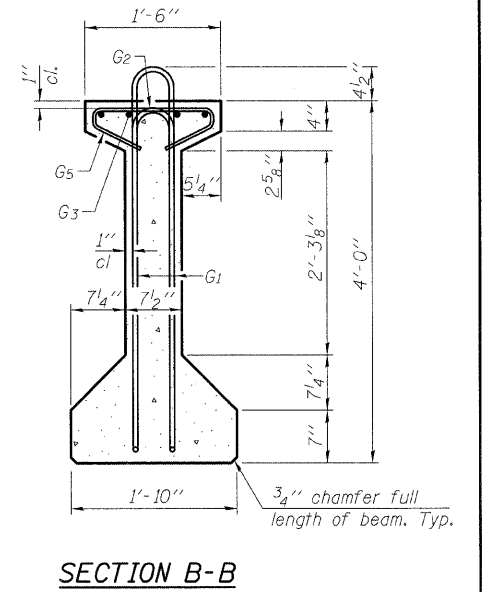
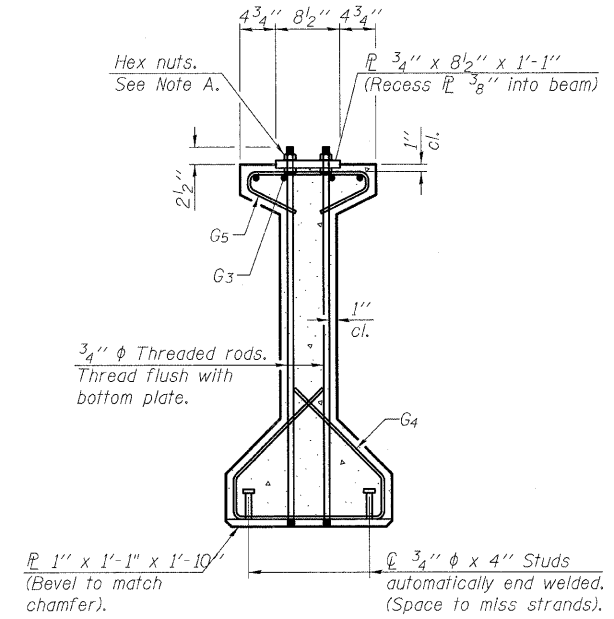
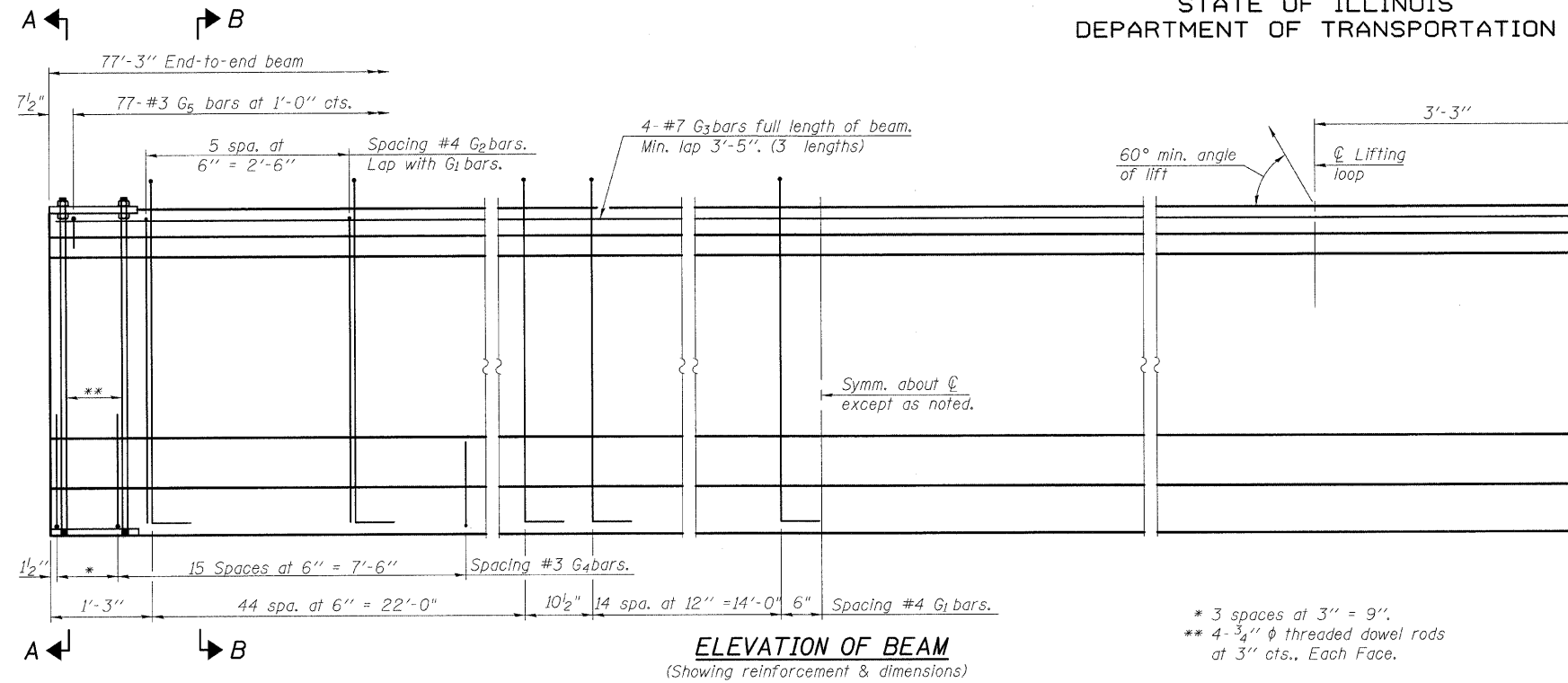


STATE OF ILLINOIS  
DEPARTMENT OF TRANSPORTATION



\*\*\*BAR LIST  
ONE BEAM ONLY

Bar	No.	Size	Length	Shape
G <sub>1</sub>	120	#4	9'-6"	∩L
G <sub>2</sub>	12	#4	7'-11"	∩
G <sub>3</sub>	12	#7	27'-11"	—
G <sub>4</sub>	38	#3	5'-3"	∩
G <sub>5</sub>	77	#3	2'-9"	∩

\*\*\*For information only

Notes:  
See sheet 15 of 21 for additional details and Bill of Material.  
Required release strength,  $f'_{ci}$ , shall be 5,000 psi.

48" PPC I-BEAM  
STRUCTURE NO. 101-0184

DESIGNED	PRD
CHECKED	WAT
DRAWN	RTG/PRD
CHECKED	ASP

**DLZ**  
DLZ Illinois, Inc.  
85 W. Algonquin Rd. Ste. 220  
Arlington Heights IL 60005

SHEET NO. 15 OF 22 SHEETS	F.A.P. RTE.	SECTION	COUNTY	TOTAL SHEETS	SHEET NO.
	742	34BR-1	WINNEBAGO	78	50
CONTRACT NO. 64E68					
FED. ROAD DIST. NO. 2 ILLINOIS FED. AID PROJECT					