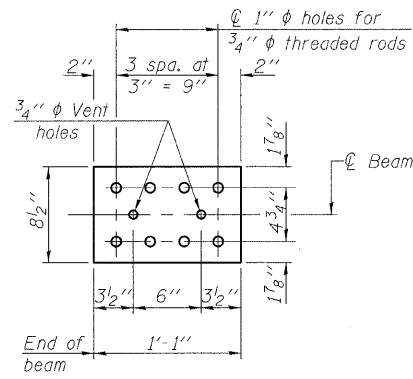
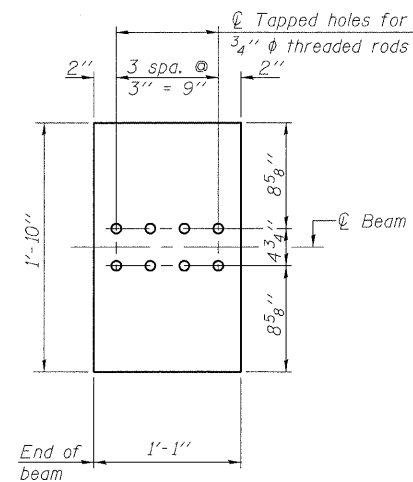


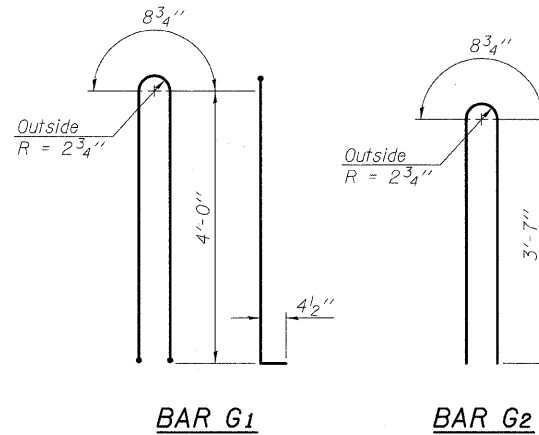
STATE OF ILLINOIS
DEPARTMENT OF TRANSPORTATION



TOP PLATE

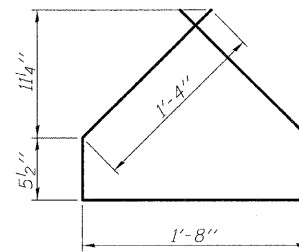


BOTTOM PLATE
(Showing threaded rods)

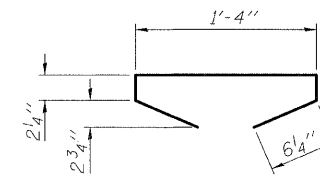


BAR G1

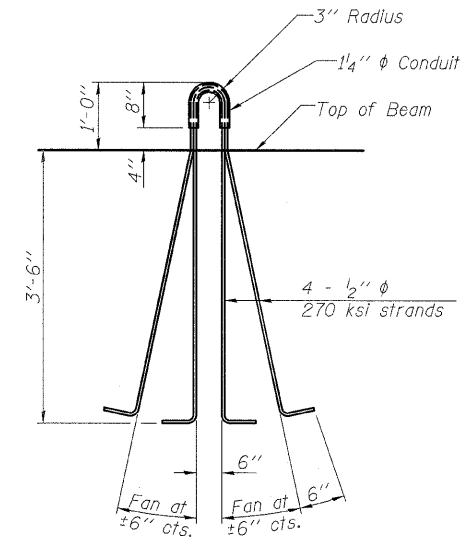
BAR G2



BAR G4



BAR G5



LIFTING LOOP DETAIL

BILL OF MATERIAL

Item	Unit	Total
Furnishing and Erecting Precast Prestressed Concrete I-Beams, 48"	Ft.	927.0

Notes:

- Inserts for 3/4" diameter threaded dowel rods, when specified, are to be two strut, ferrule type for interior beams and single ferrule, flared loop type for exterior beams.
- Prestressing steel shall be uncoated high strength, low relaxation 7-wire strand, Grade 270. The nominal diameter shall be 1/2" and the nominal cross-sectional area shall be 0.153 sq. in.
- Reinforcement bars shall conform to ASTM A 706, Grade 60. (See Special Provisions).
- A minimum 2 1/2" diameter lifting pin shall be used to engage the lifting loops during handling.
- The top and bottom plates shall be AASHTO M270 Grade 50.
- The bottom plates and studs shall be galvanized according to AASHTO M11.
- Threaded rods shall be ASTM F 1554 Grade 55.

48" PPC I-BEAM DETAILS
STRUCTURE NO. 101-0184

DESIGNED	PRD
CHECKED	WAT
DRAWN	RTG/PRD
CHECKED	ASP

DLZ DLZ Illinois, Inc.
85 W. Algonquin Rd. Ste. 220
Arlington Heights IL 60005

SHEET NO. 16 OF 22 SHEETS	F.A.P. RTE.	SECTION	COUNTY	TOTAL SHEETS	SHEET NO.
	742	34BR-1	WINNEBAGO	78	51
	CONTRACT NO. 64E68				
FED. ROAD DIST. NO. 2 ILLINOIS FED. AID PROJECT					