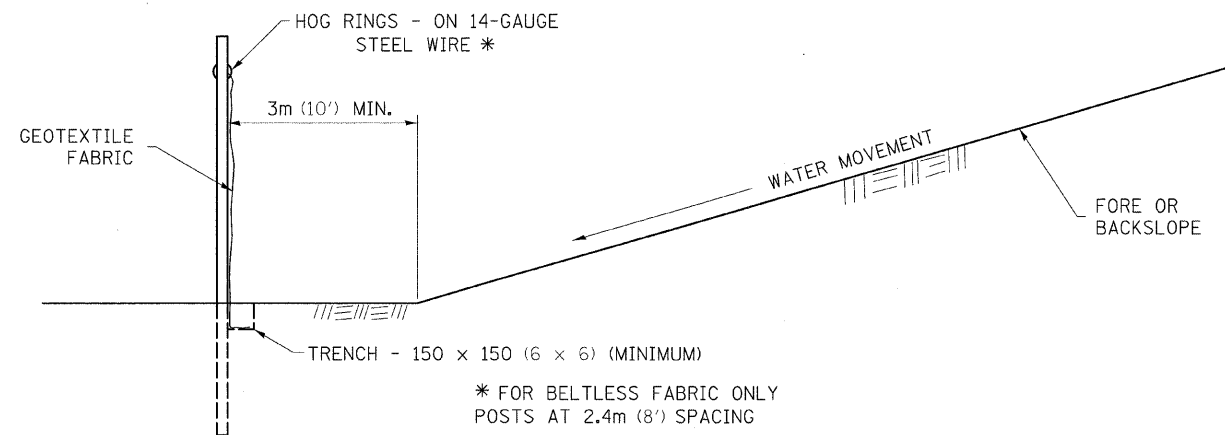
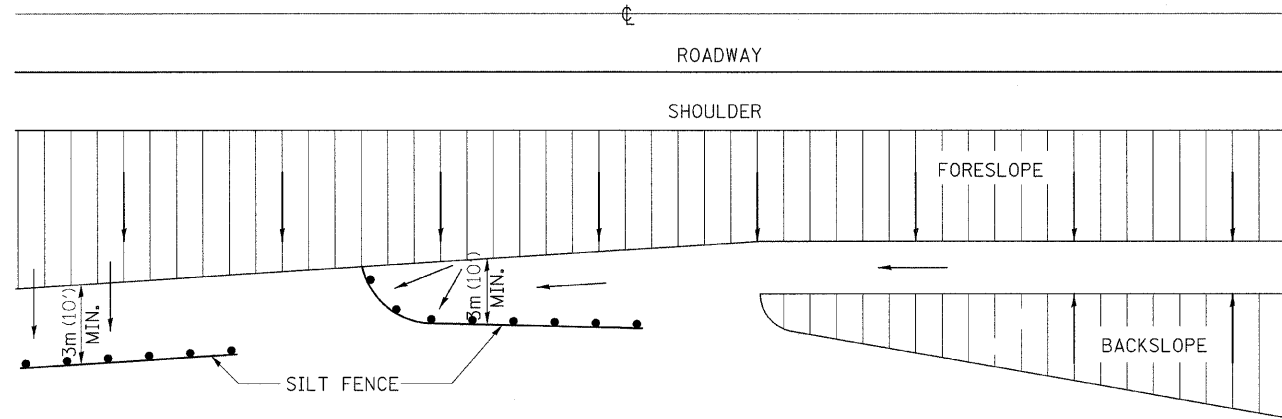


EROSION CONTROL DETAILS FOR SILT FENCE

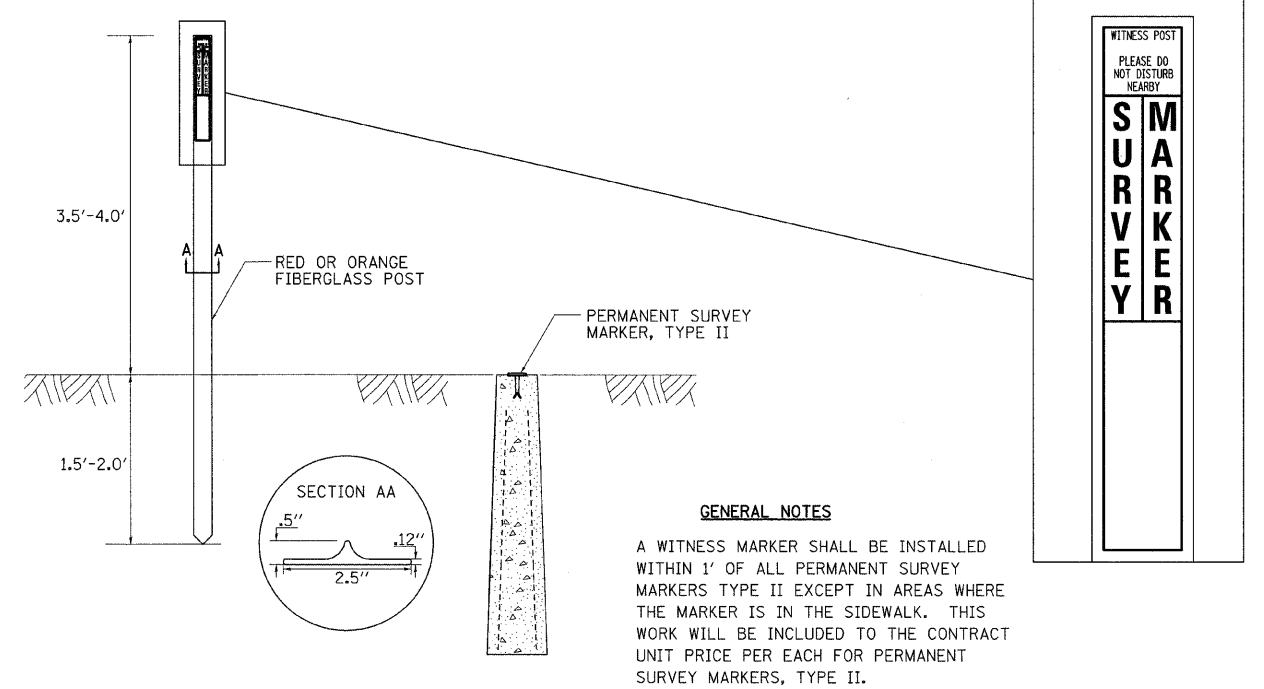


DETAILS OF SILT FENCE

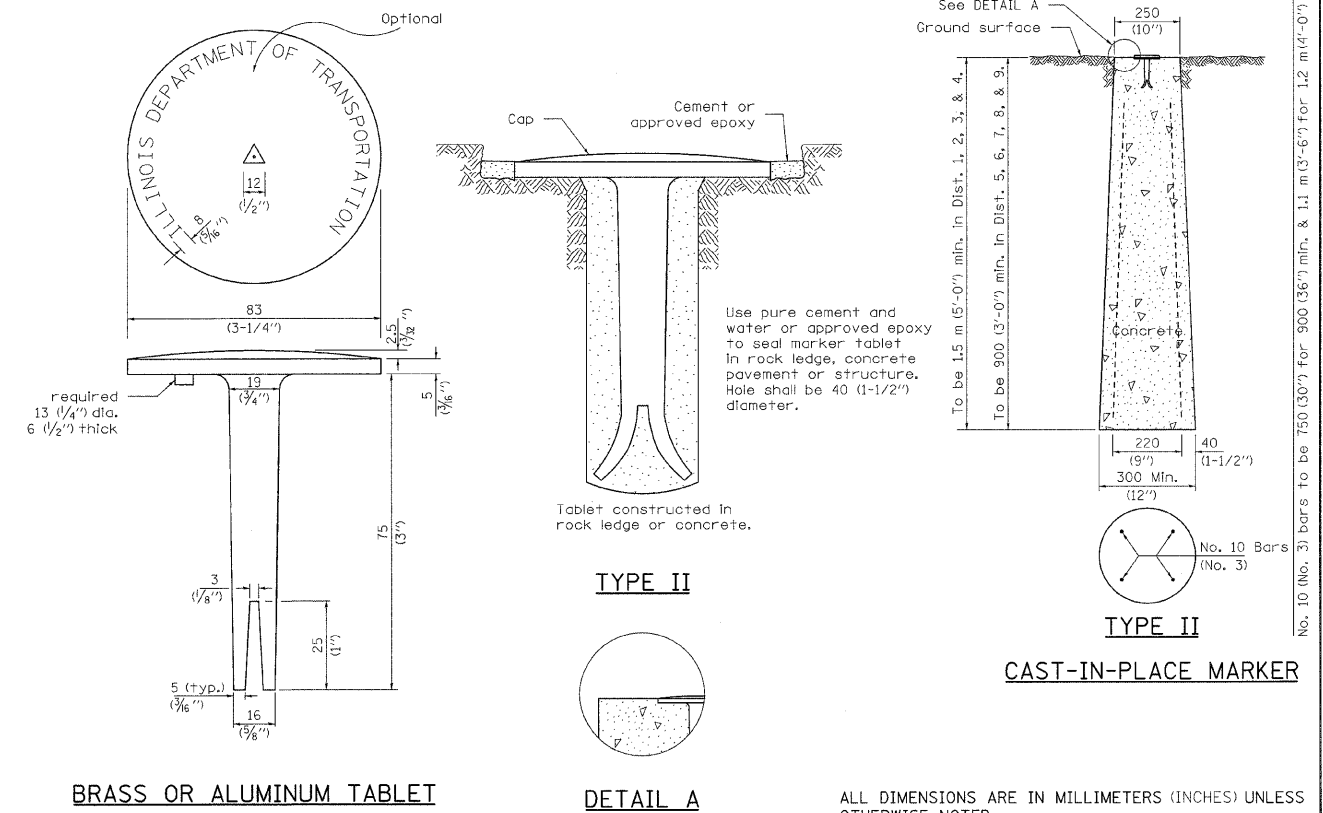
ALL DIMENSIONS ARE IN MILLIMETERS (INCHES) UNLESS OTHERWISE NOTED.

REVISED - 10-22-01

WITNESS MARKER FOR PERMANENT SURVEY MARKERS, TYPE II



PERMANENT SURVEY MARKERS, TYPE II



REVISED - 10-21-08
REVISED -
REVISED -
REVISED -

REGION 2 / DISTRICT 2 STANDARD			
SCALE: #SCALE#	SHEET NO. OF SHEETS	STA. TO STA.	

F.A.P. RTE.	SECTION	COUNTY	TOTAL SHEETS	SHEET NO.
742	34BR-1	WINNEBAGO	78	68
CONTRACT NO. 64E68				
FED. ROAD DIST. NO. ILLINOIS FED. AID PROJECT				