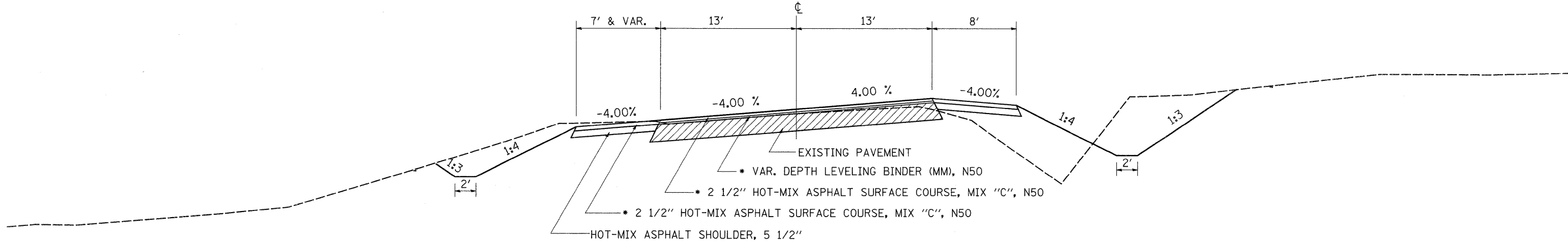
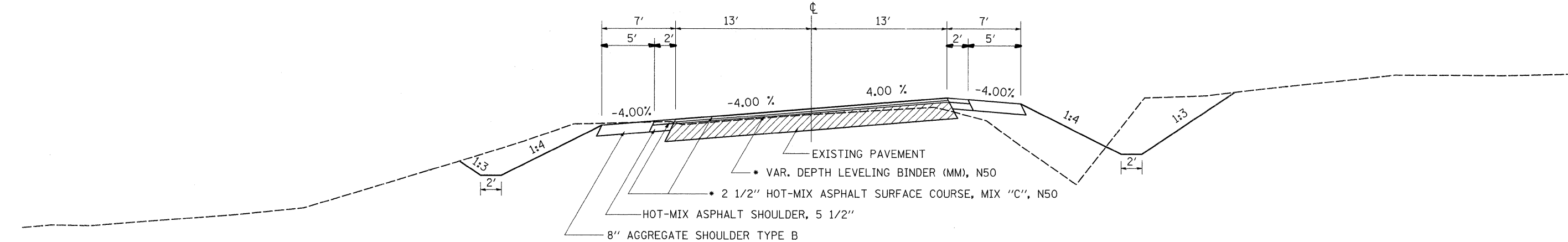


# TYPICAL SECTIONS

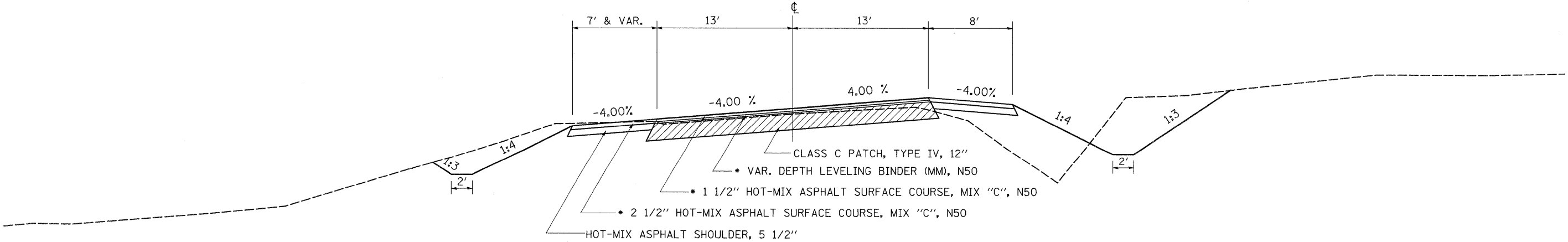
STA 843+68 TO 846+04  
 STA 847+08 TO 850+00



STA 840+60 TO 843+68



STA 846+04 TO 847+08



\* LEVEL BINDER AND SURFACE COURSE 112 LBS / SQ YD / IN

FILE NAME =	USER NAME = goffjl	DESIGNED -	REVISED -	<b>STATE OF ILLINOIS DEPARTMENT OF TRANSPORTATION</b>	<b>TYPICAL SECTIONS</b>			F.A.P. RTE.	SECTION	COUNTY	TOTAL SHEETS	SHEET NO.
ct:\pwork\pwork\goffjl\42222\42222.dgn	typ.dgn	DRAWN -	REVISED -					505	115RS-2	WINNEBAGO	120	16
PLOT SCALE = 50.0000' / IN.	CHECKED -	REVISED -	REVISED -		SCALE: SHEET NO. OF SHEETS STA. TO STA.			FED. ROAD DIST. NO. ILLINOIS FED. AID PROJECT				
PLOT DATE = Fri Oct 09 12:01:28 2009	DATE -	REVISED -	REVISED -					CONTRACT NO. 64E89				