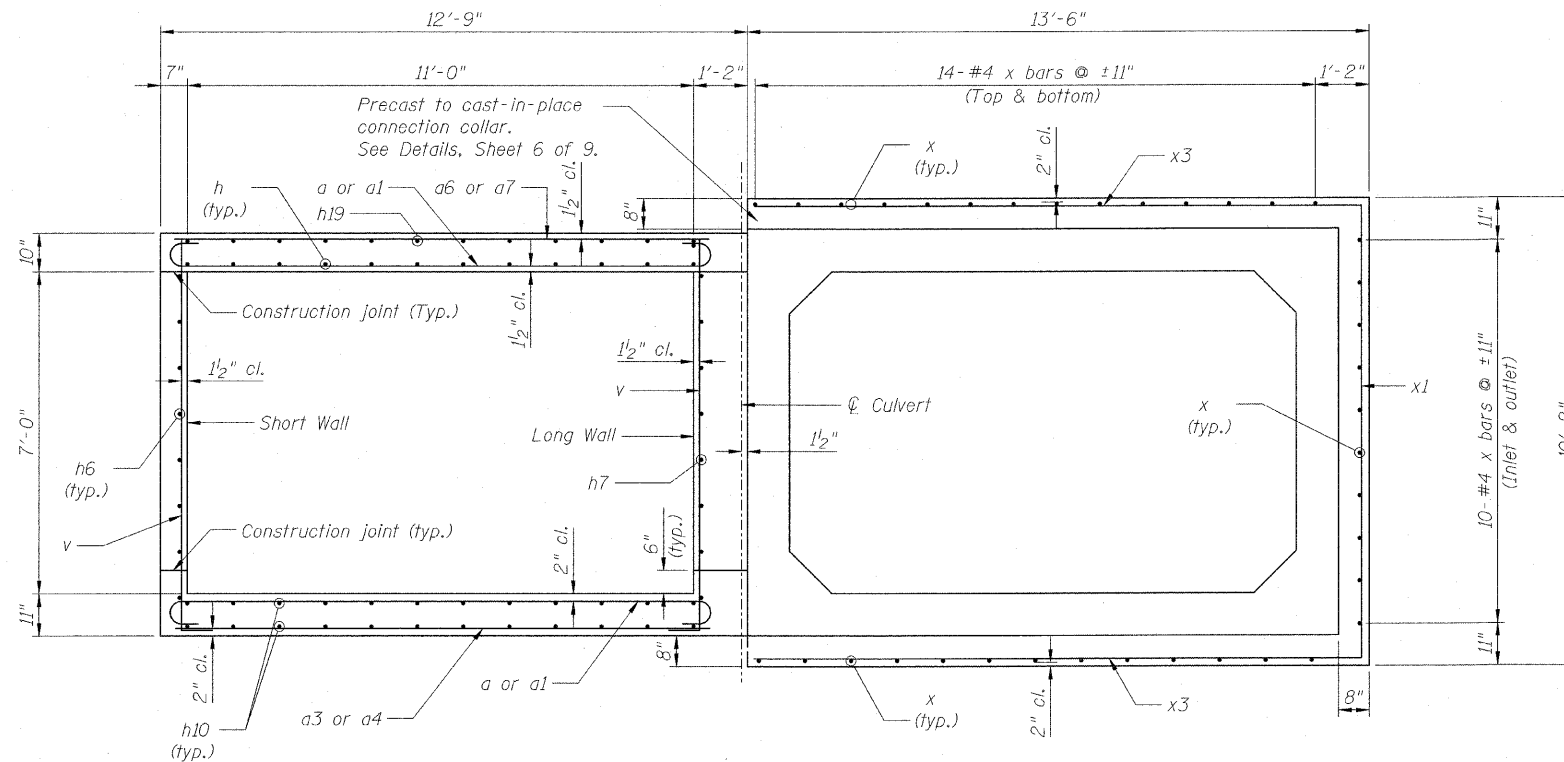
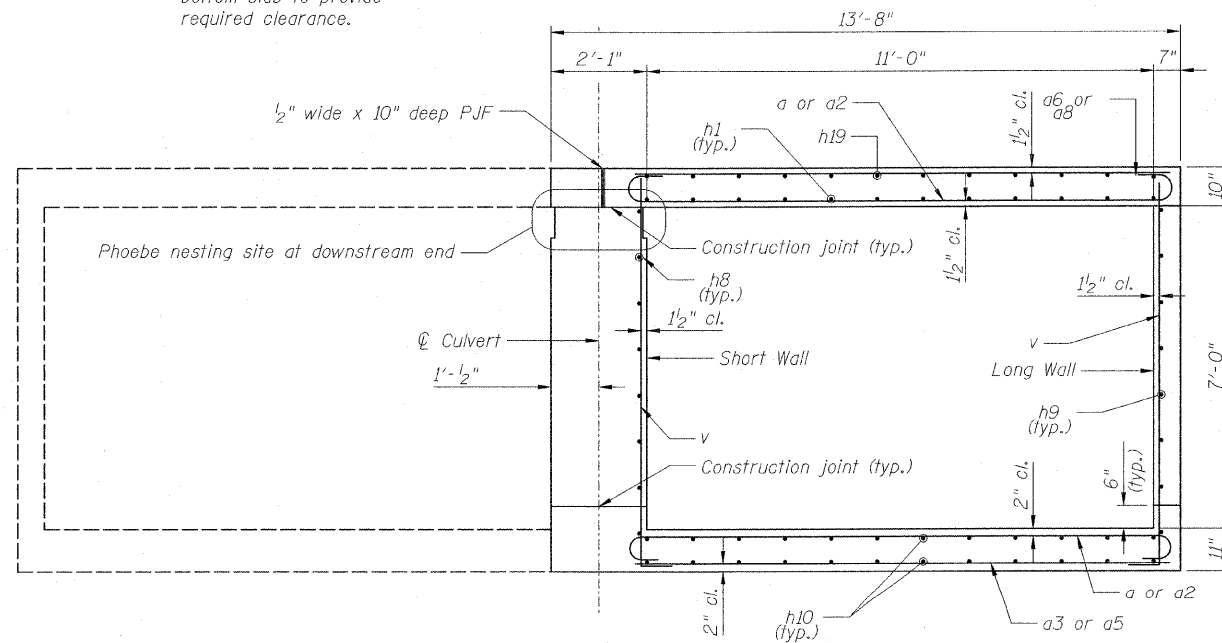


STATE OF ILLINOIS
DEPARTMENT OF TRANSPORTATION



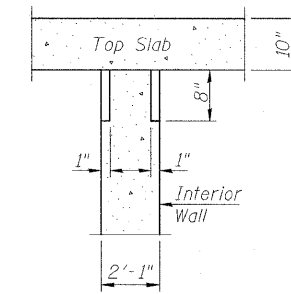
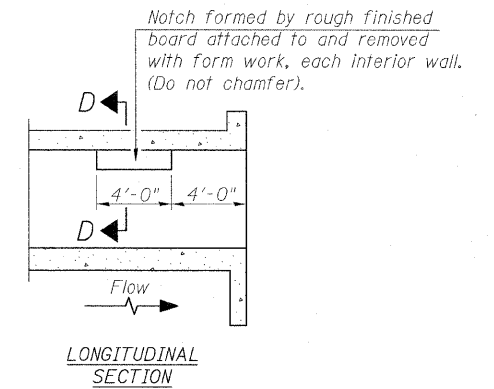
SECTION B-B & B1-B1

Note:
Tilt hook bars in top and bottom slab to provide required clearance.



SECTION C-C & C1-C1

Note:
Tilt hook bars in top and bottom slab to provide required clearance.



SECTION D-D
PHOEBE NESTING
SITE DETAILS
(Downstream End Only)

SECTIONS II
STRUCTURE NO. 101-1084

DESIGNED	BJM
CHECKED	MAS
DRAWN	TMF / JNH
CHECKED	BRT



Wight & Company
2500 North Frontage Road, Darien, IL 60561
630.969.7000 630.969.7979 fax 184-000451
Design Firm Registration

SHEET NO. 5	F.A.P. RTE.	SECTION	COUNTY	TOTAL SHEETS	SHEET NO.
	505	115RS-2	WINNEBAGO	120	47
9 SHEETS	STA. 791+50 TO STA. 796+00		CONTRACT NO. 64E89		
	FED. ROAD DIST. NO.	ILLINOIS FED. AID PROJECT			