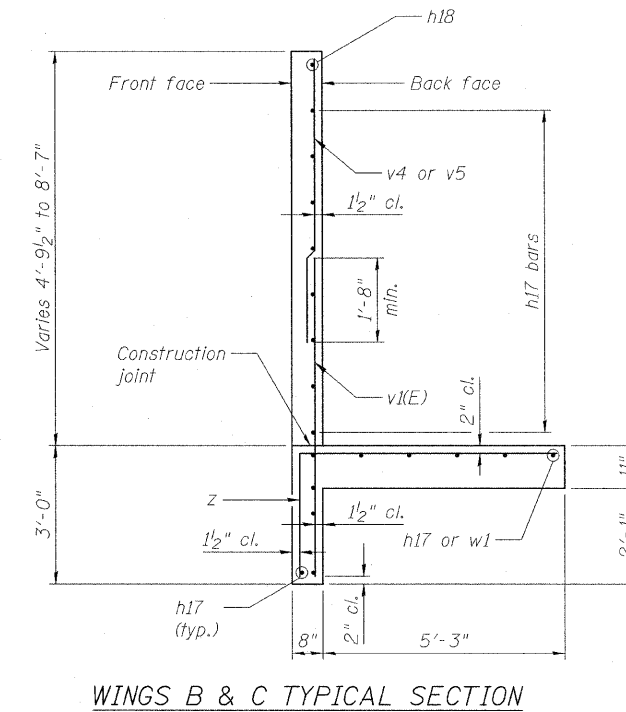
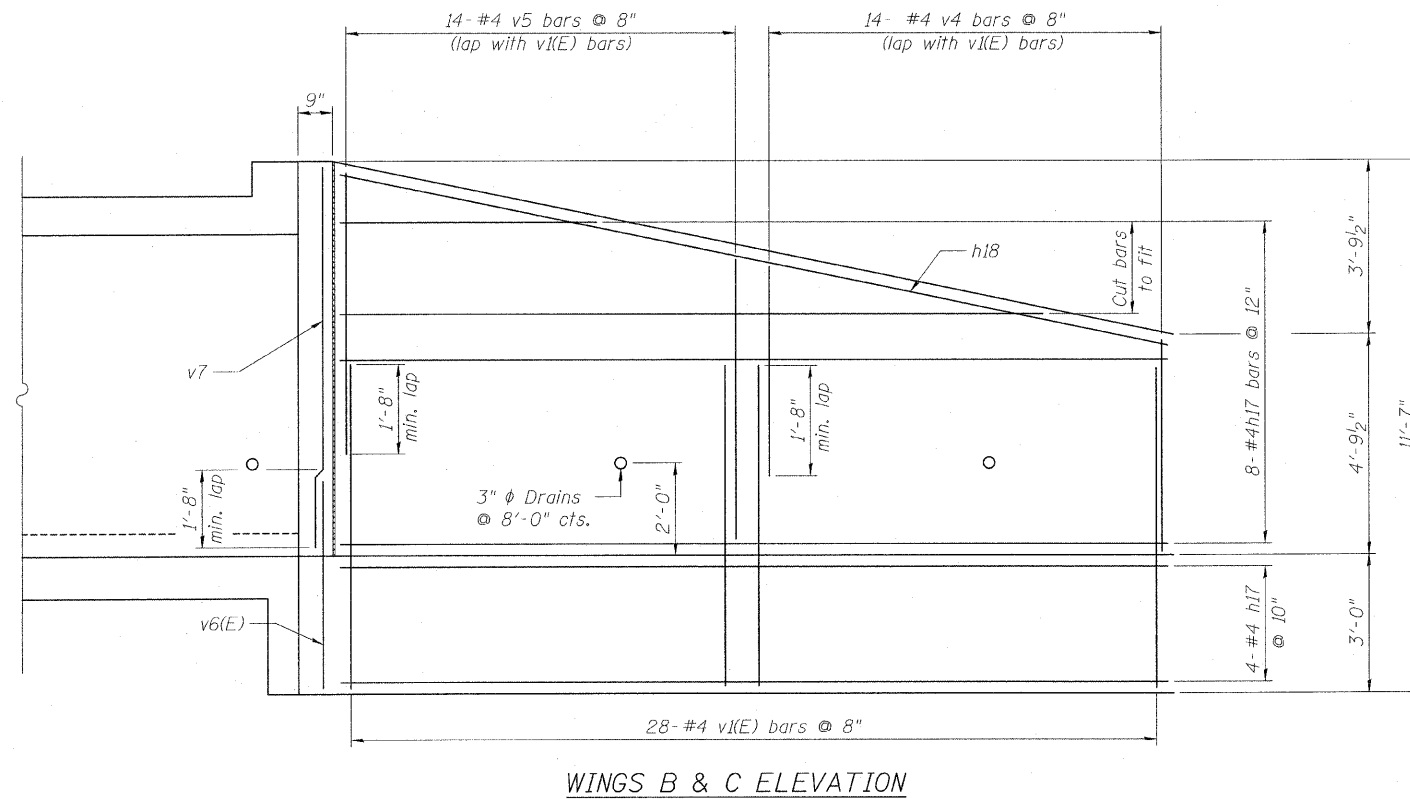
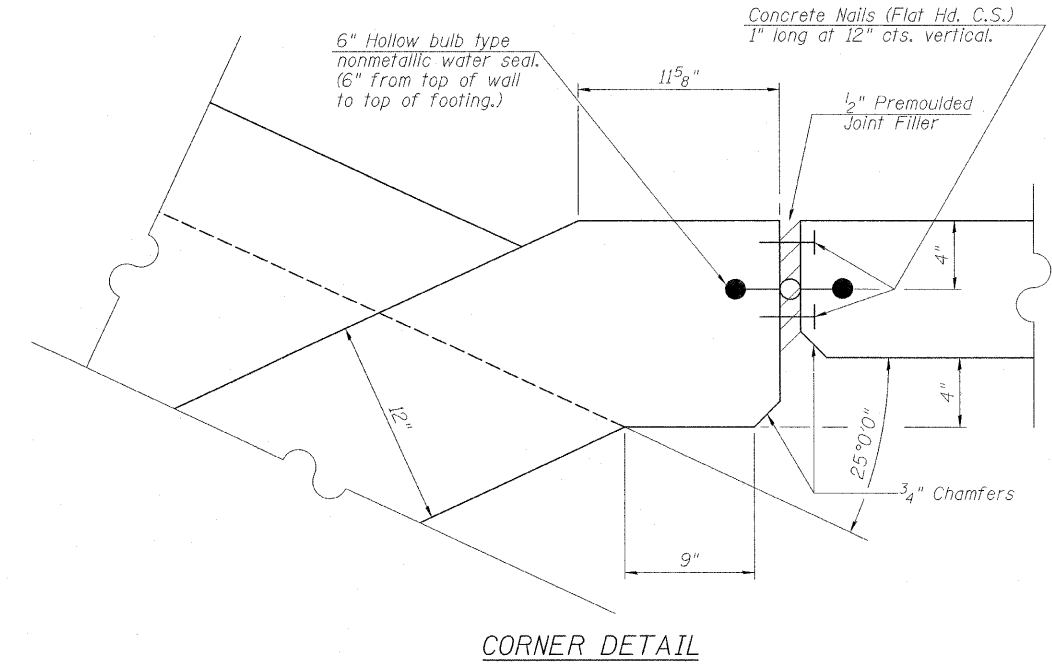
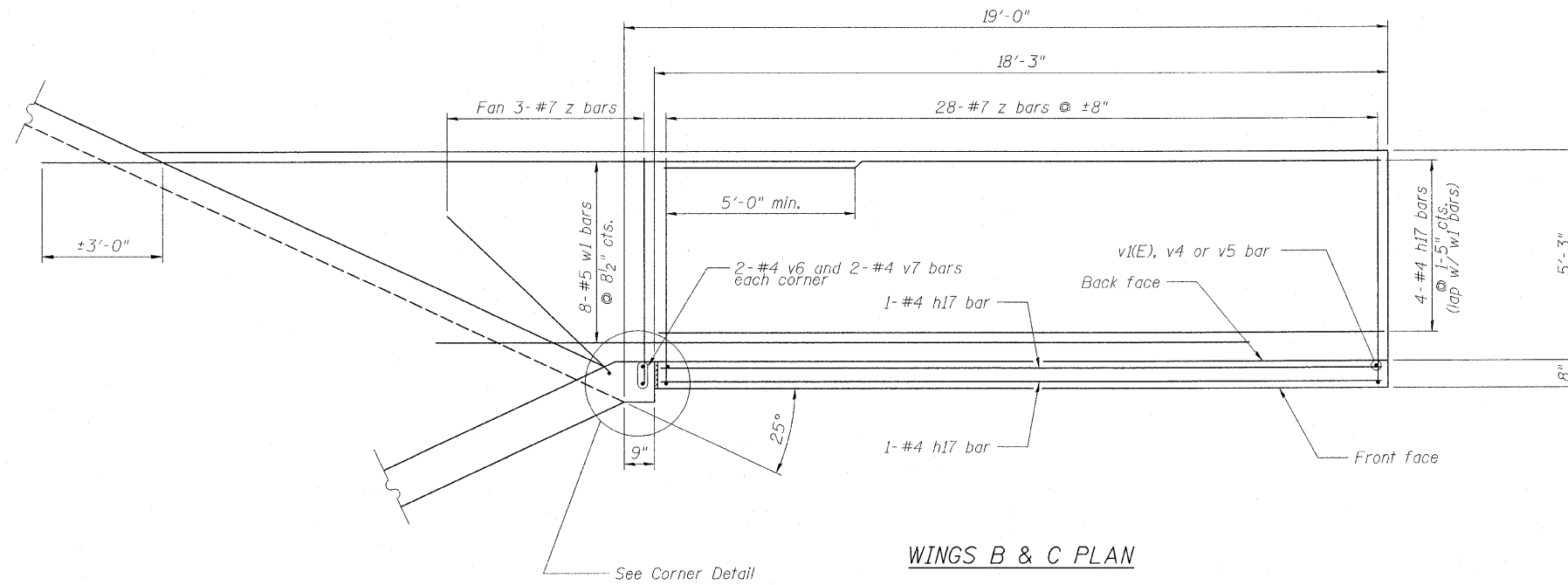


STATE OF ILLINOIS
DEPARTMENT OF TRANSPORTATION



LEGEND
B.F. = Back face
F.F. = Front face
E.F. = Each face

**WINGWALLS B & C
STRUCTURE NO. 101-1084**

DESIGNED	BJM
CHECKED	MAS
DRAWN	TMF / JNH
CHECKED	BRT



Wight & Company
2500 North Frontage Road . Darien . IL 60561
630.969.7000 630.969.7979 fax
Design Firm Registration 184-000451

SHEET NO. 8 9 SHEETS	F.A.P. RTE.	SECTION	COUNTY	TOTAL SHEETS	SHEET NO.
	505	115RS-2	WINNEBAGO	120	50
STA. 791+50 TO STA. 796+00		CONTRACT NO. 64E89			
FED. ROAD DIST. NO.		ILLINOIS	FED. AID PROJECT		