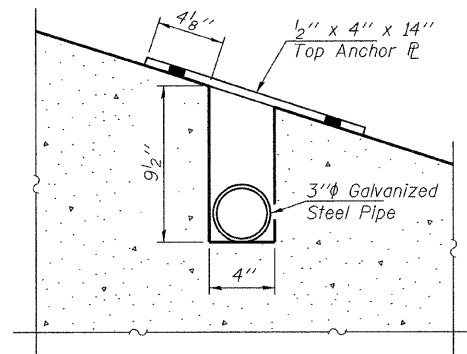


STATE OF ILLINOIS
DEPARTMENT OF TRANSPORTATION

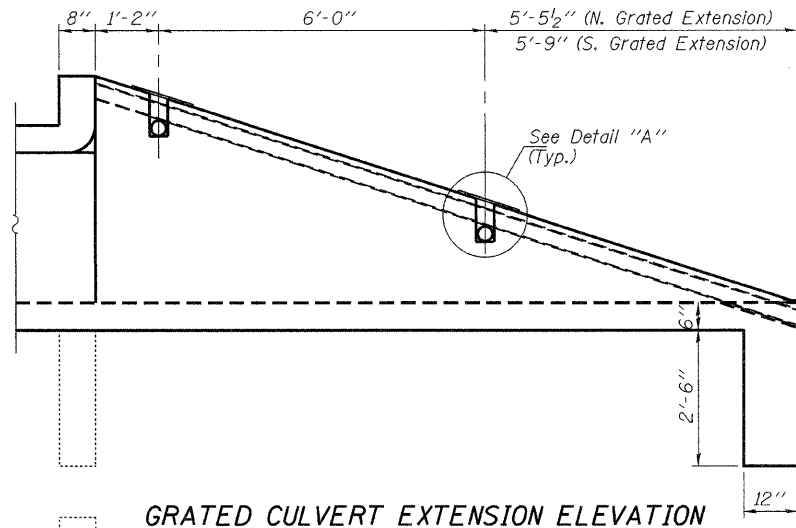
NOTES

Slope flow line of the extension at the same rate as the flow line of the box.
Bolts, nuts, and washers shall be in accordance with Article 710.11 of the Standard Specifications and shall be galvanized.
The contract unit price per cubic yard for Concrete Box Culverts shall include the Class SI Concrete for the Collar, galvanized pipe, bolts, nuts, washers and steel plates.
Steel pipes shall conform to ASTM A-53 (Type E or S) Grade B, Schedule 40 and shall be galvanized conforming to ASTM A-120. Contractor shall field verify pipe length.
Steel plates shall conform to AASHTO M-183 and shall be galvanized conforming to AASHTO M-111.

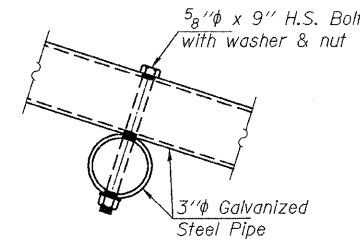


DETAIL "A"

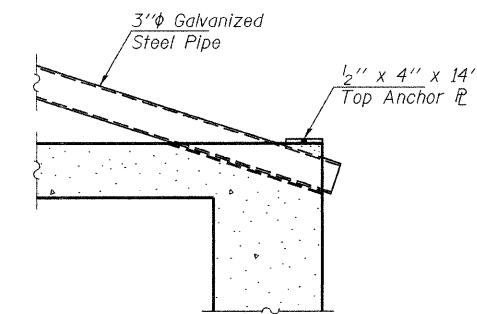
1/2" Expansion Bolts not shown for clarity.



GRATED CULVERT EXTENSION ELEVATION

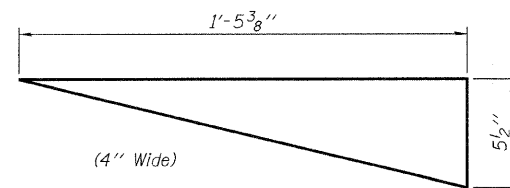


SECTION B-B

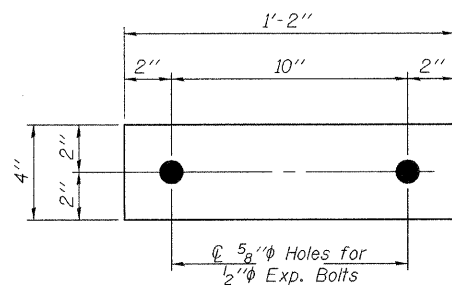


SECTION A-A

1/2" Expansion Bolts not shown for clarity.
See "Notch Detail" for notch dimensions.

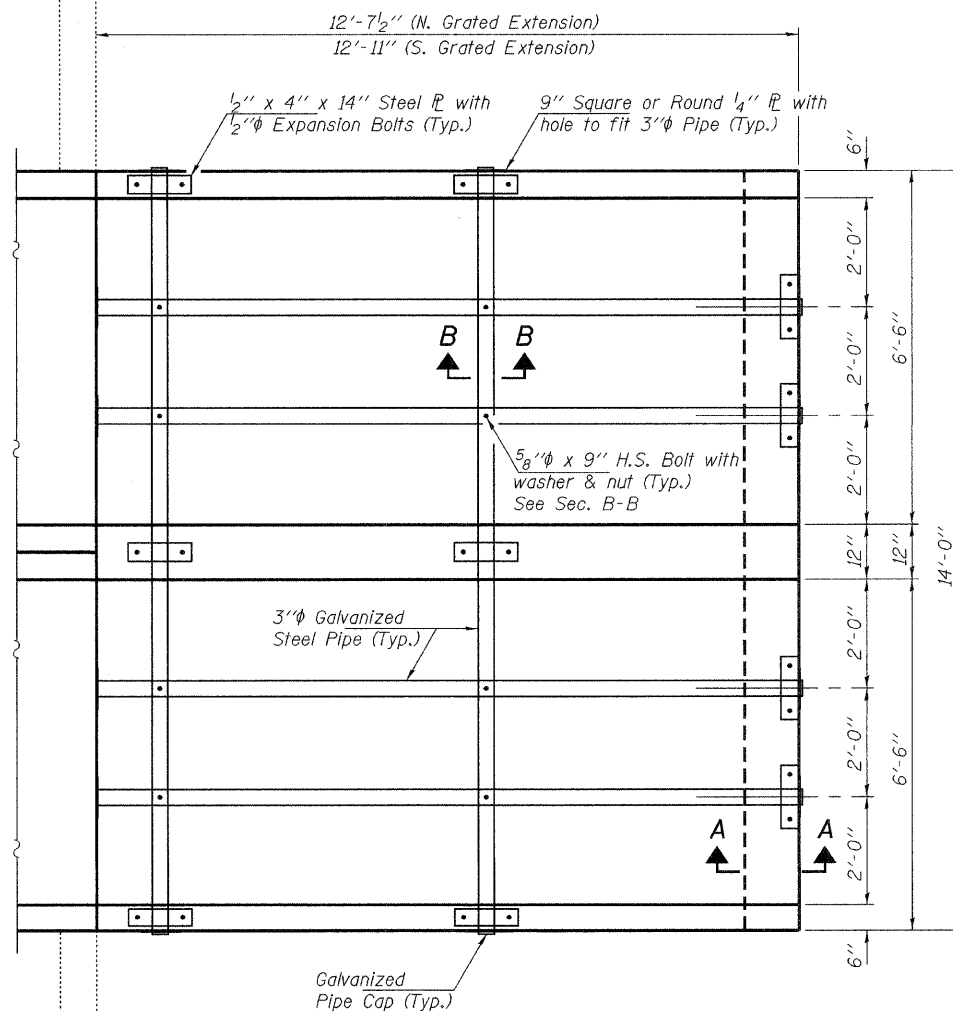


NOTCH DETAIL



TOP ANCHOR PLATE

1/2" x 4" x 14"
(6 Required)



GRATED CULVERT EXTENSION PLAN

**BILL OF MATERIAL FOR
TWO GRATED CULVERT EXTENSIONS**

FOR INFORMATION ONLY
(Cost included with Concrete Box Culverts)

ITEM	UNIT	TOTAL
3" Galvanized Steel Pipe	Foot	194
3" Galvanized Pipe Caps	Each	24
1/2" Expansion Bolts	Each	40
1/4" Galvanized Steel Plate	Pound	8
1/2" x 4" x 14" Galvanized Steel Plate	Pound	20
5/8" x 9" Galv. Steel Bolts & Nuts	Each	16

**CULVERT REPAIRS
IL 75 OVER DRAINAGE DITCH
SN 101-1035**

DESIGNED	ATH
CHECKED	VHV
DRAWN	Kyle M. Steffen
CHECKED	ATH VHV

NOVEMBER 18, 2009
EXAMINED *A. Carl Paves*
ENGINEER OF STRUCTURAL SERVICES
PASSED *Ralph E. Anderson*
ENGINEER OF BRIDGES AND STRUCTURES

SHEET NO. 4 4 SHEETS	IL RTE.	SECTION	COUNTY	TOTAL SHEETS	SHEET NO.
	75	115 RS-2	WINNEBAGO	120	58
FED. ROAD DIST. NO.			ILLINOIS FED. AID PROJECT		
CONTRACT NO. 64E89					