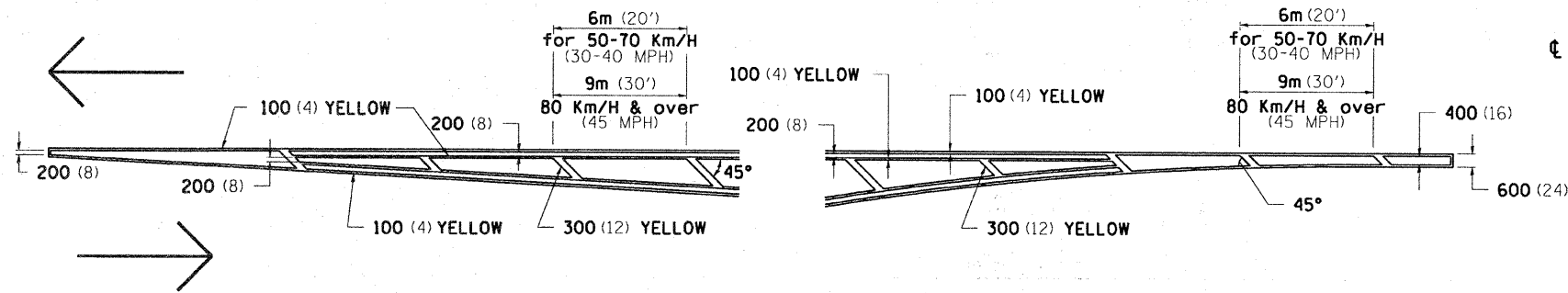
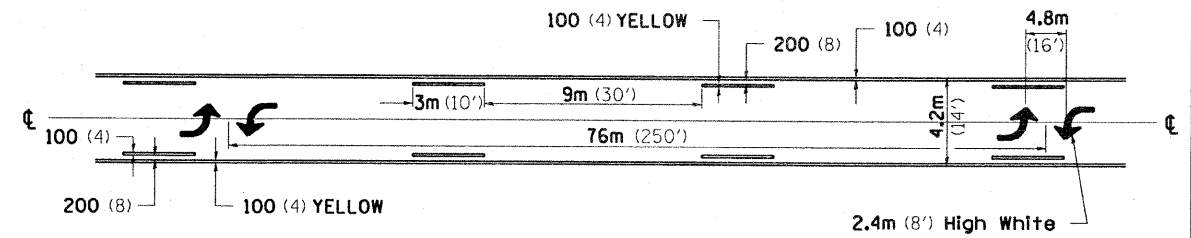


TYPICAL PAVEMENT MARKINGS

TYPICAL PAVEMENT MARKING FOR FLUSH MEDIAN AT LEFT TURN LANE

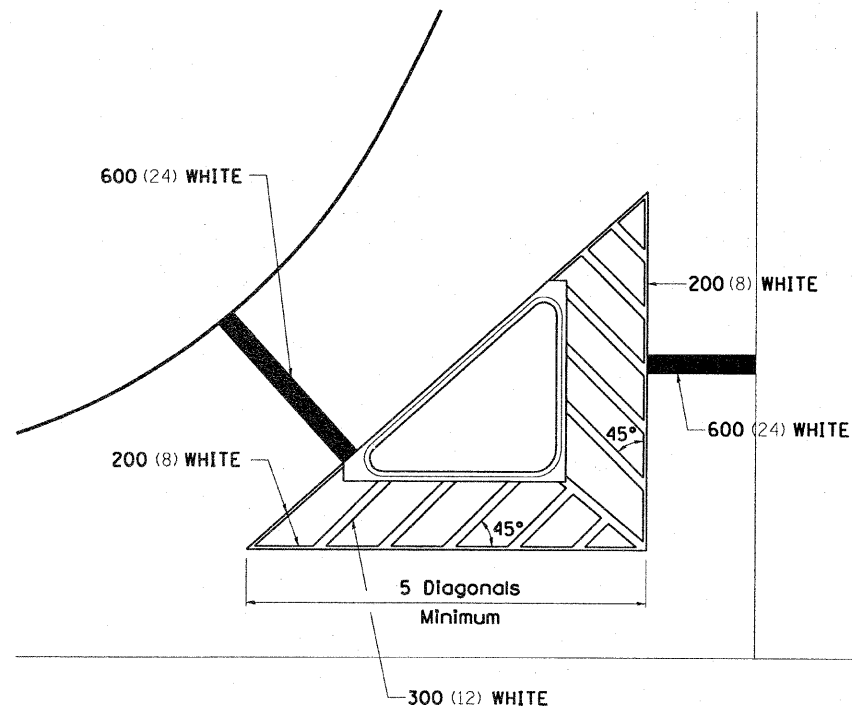


MEDIAN PAVEMENT MARKING

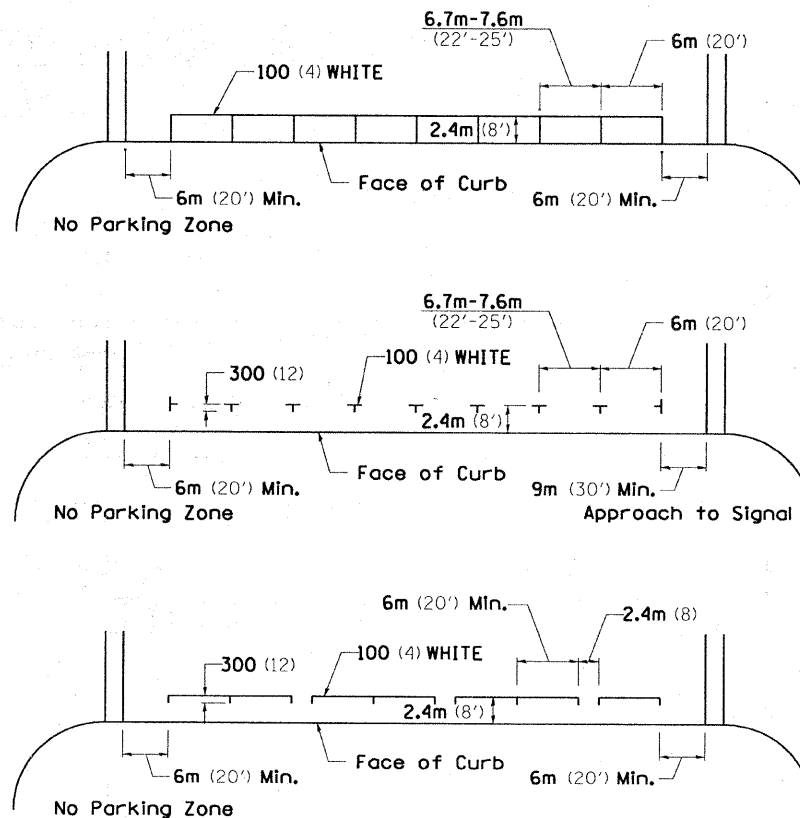


•• ALL DIMENSIONS ARE IN MILLIMETERS (INCHES) UNLESS OTHERWISE NOTED.

TYPICAL ISLAND OFFSET SHOULDER WIDTH

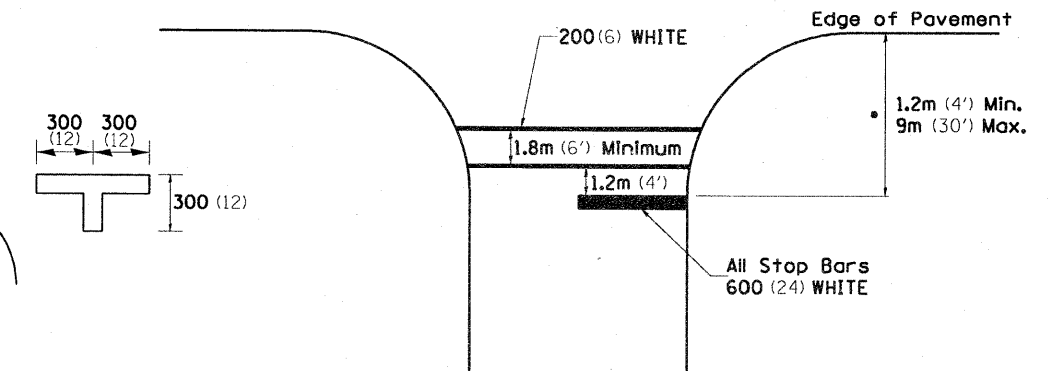


TYPICAL PARKING SPACING



STANDARD CROSSWALK MARKING

See Schedules for Locations



• Distance to the nearest edge of the intersecting roadway in the absence of a marked crosswalk.

FILE NAME =	USER NAME = nicklaus	DESIGNED -	REVISED - 10-21-08	STATE OF ILLINOIS DEPARTMENT OF TRANSPORTATION	REGION 2 / DISTRICT 2 STANDARD		F.A.P. RTE. 505	SECTION 115 RS-2	COUNTY WINNEBAGO	TOTAL SHEETS 120	SHEET NO. 76	
D:\Projects\Winnebago\64E89 IL 75 Culverts and 3P combined\lance\IL75typicals\8.dgn	PLOT SCALE = 1:85.9966' / IN.	DRAWN -	REVISED -		SCALE: _____	SHEET NO. ___ OF ___ SHEETS	STA. _____ TO STA. _____	FED. ROAD DIST. NO. _____	ILLINOIS FED. AID PROJECT	CONTRACT NO. 64E89		
	PLOT DATE = Fri Oct 09 11:18:40 2009	CHECKED -	REVISED -									
		DATE -	REVISED -									