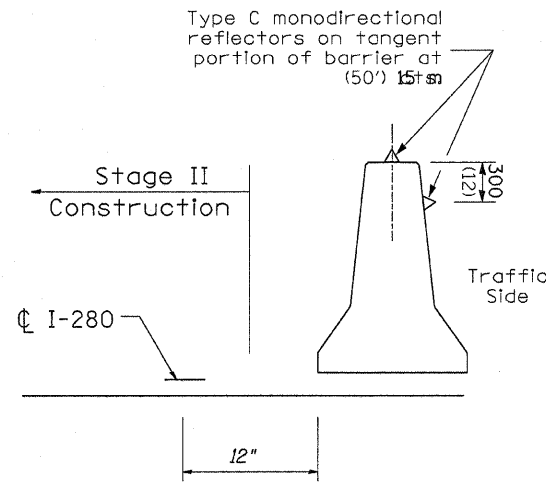
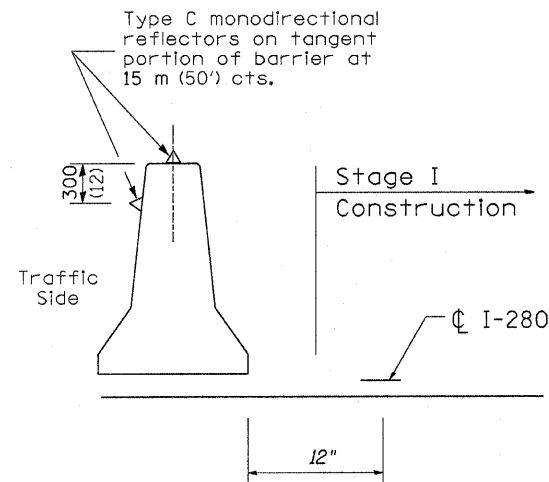


Temporary Concrete Barrier



	Temporary Concrete Barrier	Relocate Temporary Concrete Barrier
SN 081-0018		
Tangent	212.5	212.5
Taper	137.5	137.5
SN 081-0019		
Tangent	212.5	212.5
Taper	137.5	137.5
SN 081-0020		
Tangent	162.5	162.5
Taper	137.5	137.5
SN 081-0021		
Tangent	162.5	162.5
Taper	137.5	137.5
SN 081-0022		
Tangent	175	175
Taper	137.5	137.5
SN 081-0023		
Tangent	175	175
Taper	137.5	137.5
SN 081-0024		
Tangent	275	275
Taper	137.5	137.5
SN 081-0025		
Tangent	275	275
Taper	137.5	137.5
SN 081-0026		
Tangent	225	225
Taper	137.5	137.5
SN 081-0027		
Tangent	225	225
Taper	137.5	137.5
Total	3475	3475

Striping Schedule

	4" Edgeline (yellow)	4" Edgeline (white)	6" Centerline
SN 081-0018			
West Approach	20'	20'	5'
Deck	199'	199'	50'
East Approach	20'	20'	5'
SN 081-0019			
West Approach	20'	20'	5'
Deck	199'	199'	50'
East Approach	20'	20'	5'
SN 081-0020			
West Approach	20'	20'	5'
Deck	157'	157'	40'
East Approach	20'	20'	5'
SN 081-0021			
West Approach	20'	20'	5'
Deck	157'	157'	40'
East Approach	20'	20'	5'
SN 081-0022			
West Approach	20'	20'	5'
Deck	163'	163'	41'
East Approach	20'	20'	5'
SN 081-0023			
West Approach	20'	20'	5'
Deck	163'	163'	41'
East Approach	20'	20'	5'
SN 081-0024			
West Approach	20'	20'	5'
Deck	273'	273'	69'
East Approach	20'	20'	5'
SN 081-0025			
West Approach	20'	20'	5'
Deck	273'	273'	69'
East Approach	20'	20'	5'
SN 081-0026			
West Approach	20'	20'	5'
Deck	214'	214'	41'
East Approach	20'	20'	5'
SN 081-0027			
West Approach	20'	20'	5'
Deck	214'	214'	41'
East Approach	20'	20'	5'
Subtotal	2412'	2412'	582'
x2 coats paint	x2	x2	x2
	=4824'	=4824'	=1164'