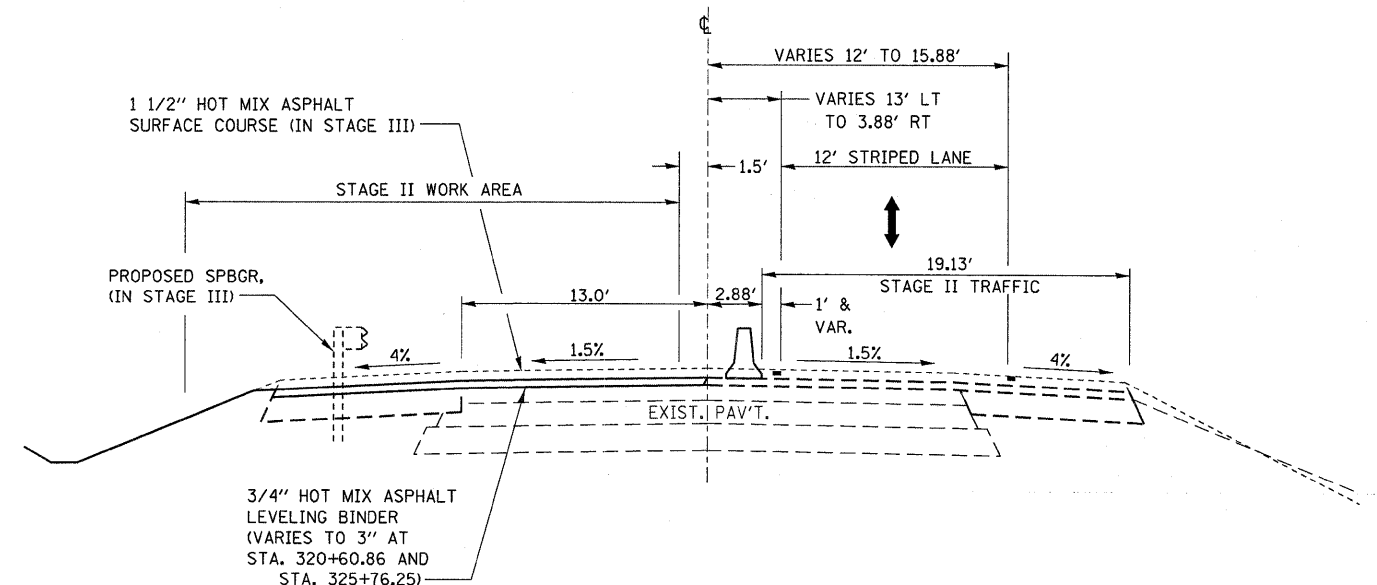


\* EXISTING 4' WIDE PCC BASE COURSE WIDENING 7" ON NORTH SIDE CAN BE LEFT IN PLACE AS TEMPORARY PAVEMENT (STA. 319+76 TO STA. 322+31 AND STA. 324+16 TO STA. 326+66)

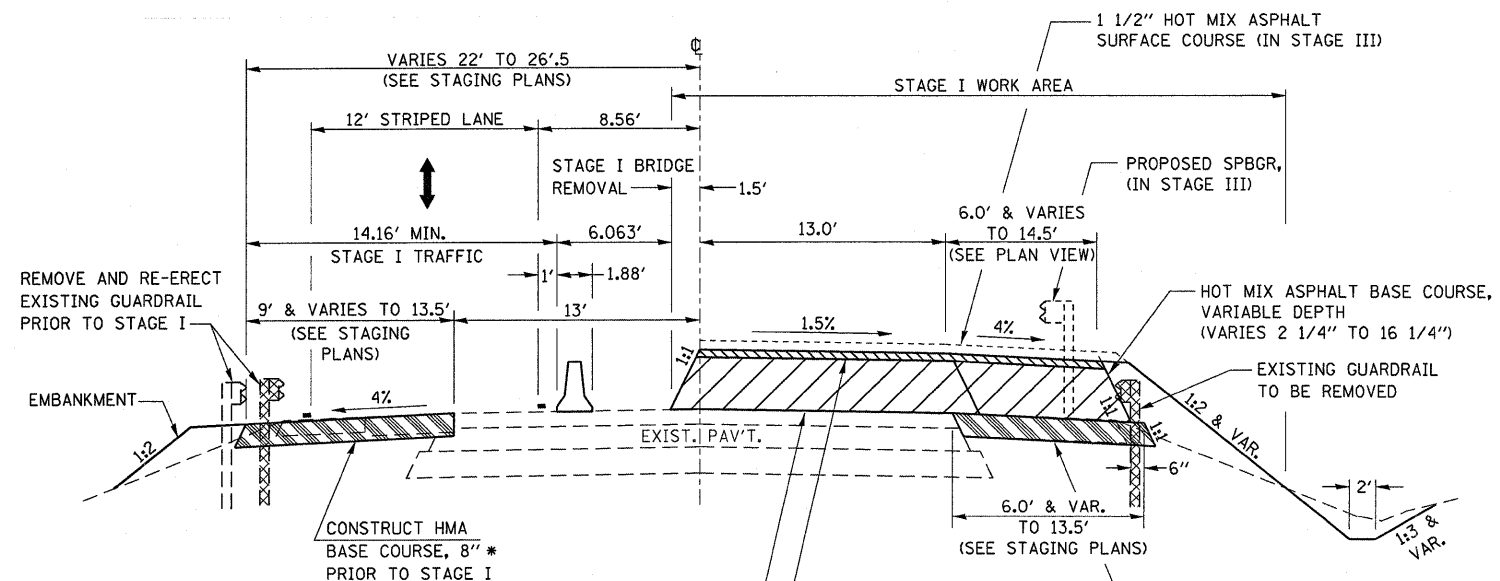
**STAGE I TYPICAL SECTION**

STA. 319+00 TO STA. 320+60.86  
STA. 325+76.25 TO STA. 328+48.20



**STAGE II TYPICAL SECTION**

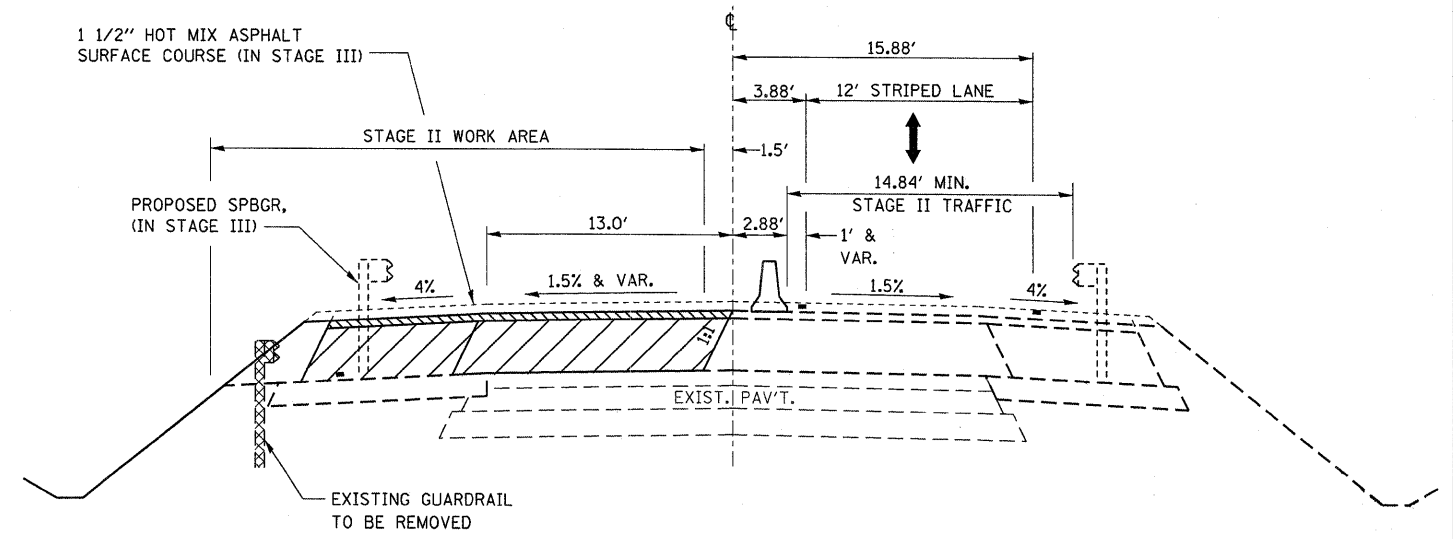
STA. 319+00 TO STA. 320+60.86  
STA. 325+76.25 TO STA. 328+48.20



\* EXISTING 4' WIDE PCC BASE COURSE WIDENING 7" ON NORTH SIDE CAN BE LEFT IN PLACE AS TEMPORARY PAVEMENT (STA. 319+76 TO STA. 322+31 AND STA. 324+16 TO STA. 326+66)

**STAGE I TYPICAL SECTION**

STA. 320+60.86 TO STA. 322+00.25  
BRIDGE OMISSION STA. 322+00.25 TO STA. 324+41.83  
STA. 324+41.83 TO STA. 325+76.26



**STAGE II TYPICAL SECTION**

STA. 320+60.86 TO STA. 322+00.25  
BRIDGE OMISSION STA. 322+00.25 TO STA. 324+41.83  
STA. 324+41.83 TO STA. 325+76.26

FILE NAME =	USER NAME = schwenkerg	DESIGNED -	REVISED -
c:\pwork\pwork\pwork\dms73146\dms73146.dgn		DRAWN -	REVISED -
		CHECKED -	REVISED -
		DATE -	REVISED -

**STATE OF ILLINOIS  
DEPARTMENT OF TRANSPORTATION**

<b>STAGING TYPICALS</b>			
SCALE:	SHEET NO.	OF SHEETS	STA. TO STA.

F.A.P. RTE. 41	SECTION 15BR-2	COUNTY LIVINGSTON	TOTAL SHEETS 64	SHEET NO. 14
CONTRACT NO. 66691				
ILLINOIS FED. AID PROJECT				