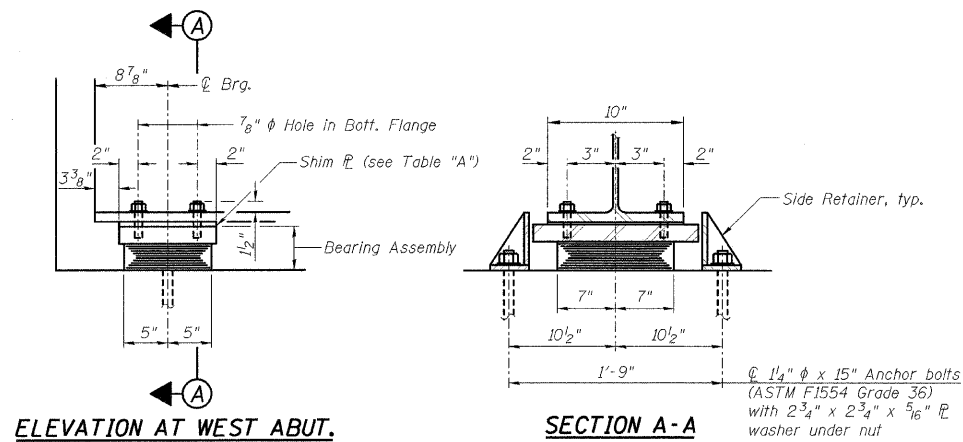


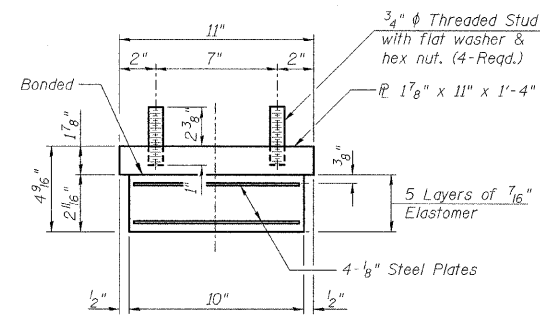
STATE OF ILLINOIS
DEPARTMENT OF TRANSPORTATION



ELEVATION AT WEST ABUT.

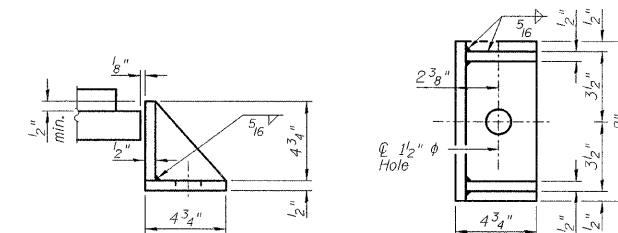
TYPE I ELASTOMERIC EXP. BRG.

(At West Abutment - 6 Required)
(At East Abutment - 6 Required)



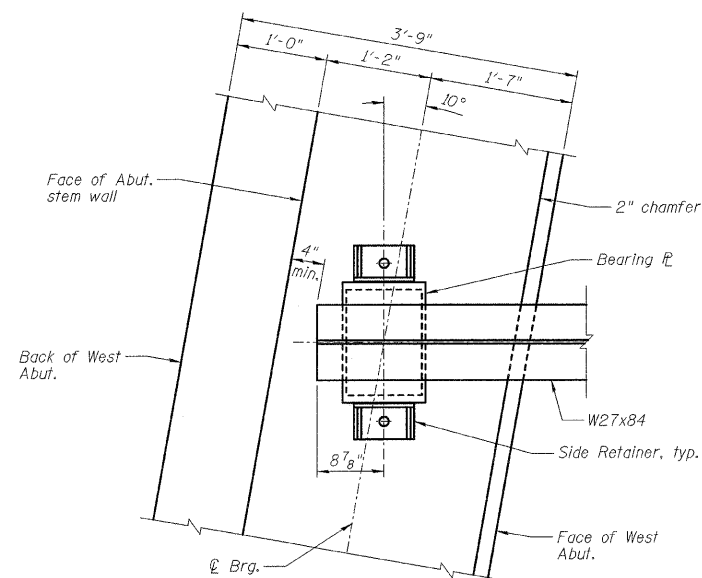
BEARING ASSEMBLY

Note: Shim plates shall not be placed under Bearing Assembly.



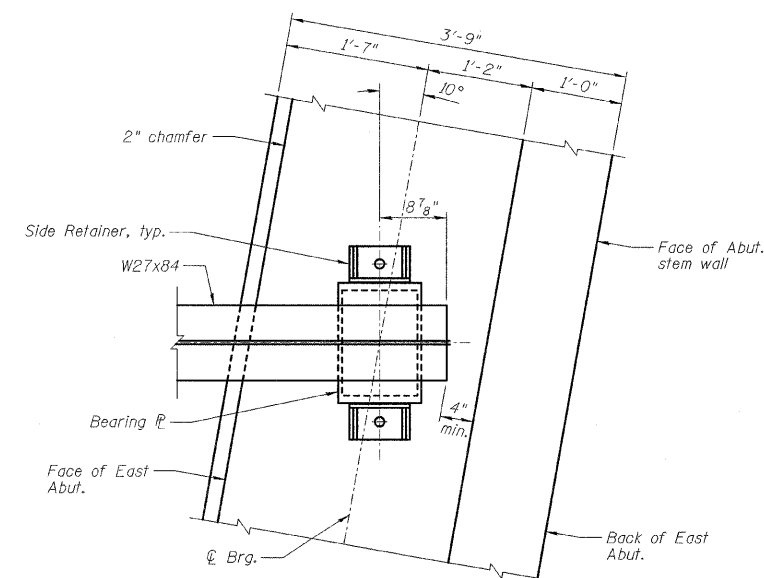
SIDE RETAINER

Equivalent rolled angle with stiffeners will be allowed in lieu of welded plates.



BEARING PLAN AT WEST ABUTMENT

Notes:
Anchor bolts shall be ASTM F1554 all-thread (or an Engineer-approved alternate material) of the grade(s) and diameter(s) specified. ASTM A307 Grade C anchor bolts may be used in lieu of ASTM F1554 Grade 36 (Fy=36ksi). The corresponding specified grade of AASHTO M314 anchor bolts may be used in lieu of ASTM F1554.
Anchor bolts for side retainers may be cast in place or installed in holes drilled before or after members are in place.
Drilled and set anchor bolts shall be installed according to Article 521.06 of the Standard Specifications.
Side retainers and other steel members required for the bearing assembly shall be included in the cost of Elastomeric Bearing Assembly, Type I.



BEARING PLAN AT EAST ABUTMENT

TABLE "A"

Beam No.	Shim Thickness
West Abut. - 3	1/8"
East Abut. - 4	1/8"

BILL OF MATERIAL

Item	Unit	Total
Elastomeric Bearing Assembly, Type I	Each	12
Anchor Bolts, 1 1/4"	Each	24

NOTES:

- Two 1/8 in. adjusting shims shall be provided for each bearing in addition to all other plates or shims and placed as shown on bearing details.
- The structural steel plates of the bearing assembly shall conform to the requirements of AASHTO M 270 Grade 50W.

DESIGNED SDH
CHECKED JML
DRAWN JWK/DJM
CHECKED MSW

DATE 10/07/09

FARNSWORTH GROUP, INC.

CONSULTING ENGINEERS - 2709 MCGRAW DRIVE BLOOMINGTON, ILLINOIS 61704 (309) 663-8435 / (309) 663-1571 FAX

SHEET NO. B19	F.A.P. RTE.	SECTION	COUNTY	TOTAL SHEETS	SHEET NO.
34 SHEETS	41	15BR-2	LIVINGSTON	04	35
CONTRACT NO. 66691					
FED. ROAD DIST. NO.		ILLINOIS FED. AID PROJECT			