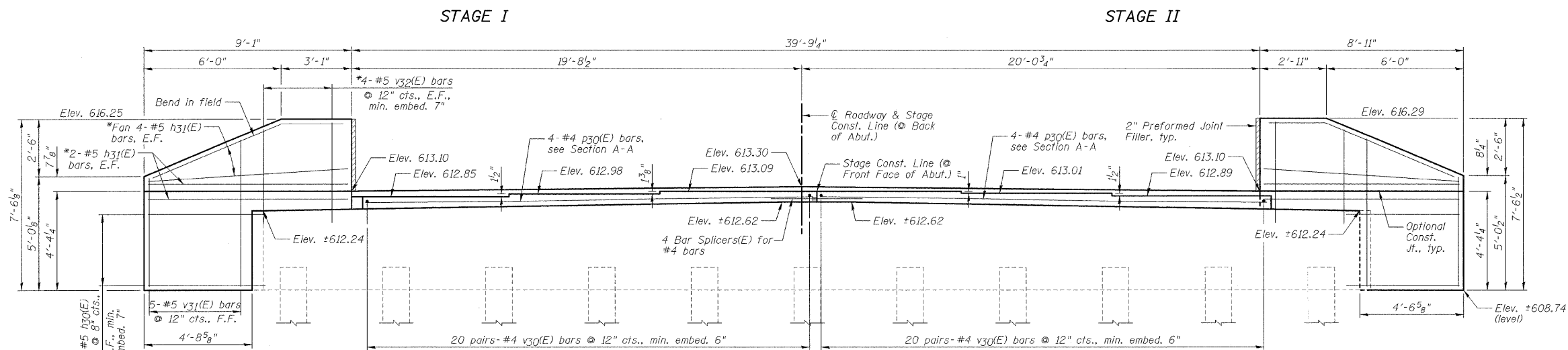
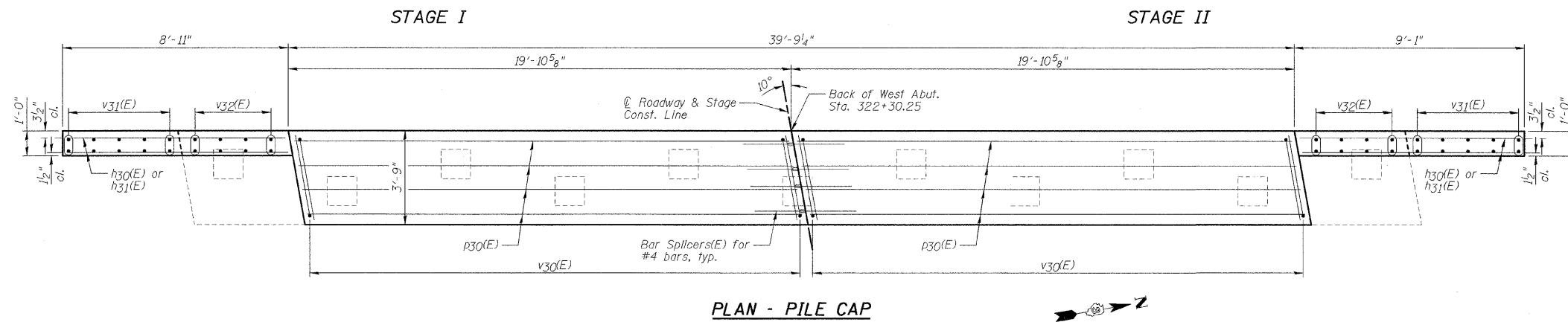
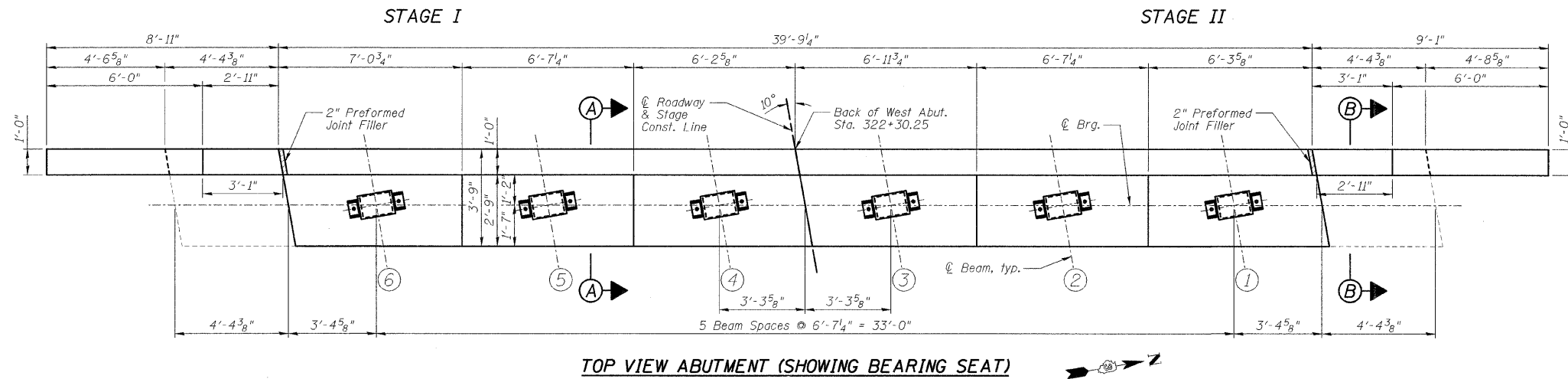


STATE OF ILLINOIS
DEPARTMENT OF TRANSPORTATION



ELEVATION
(Looking West)

NOTES:

- 1) See Sheet B23 for Section A-A and Section B-B.
- 2) See Sheet B23 for Bill of Material and Bar Cutting Diagram. Order v31(E) bars full length. Cut according to Bar Cutting Diagram on Sheet B23. Use remainder of bars in back face.
- 3) Drill & epoxy grout h30(E), v30(E) & v32(E) bars in appropriate drilled holes according to Section 584 of the Standard Specifications. The type of epoxy grout shall be approved by the Engineer.
- 4) Space reinforcement in cap to miss anchor bolts.
- 5) E.F. denotes Each Face, F.F. denotes Front Face.
- 6) See Sheet B33 for Bar Splicer Details.

*Cut reinforcement as required.
Reinforcement is typical for both wingwalls.

DESIGNED	SDH
CHECKED	JML
DRAWN	JWK/DJM
CHECKED	MSW

DATE 10/07/09

FARNSWORTH GROUP, INC.

CONSULTING ENGINEERS - 2709 MCGRAW DRIVE BLOOMINGTON, ILLINOIS 61704 (309) 663-8435 / (309) 663-1571 FAX

WEST ABUTMENT
STRUCTURE NO. 053-0150

SHEET NO. B22	F.A.P. RTE.	SECTION	COUNTY	TOTAL SHEETS	SHEET NO.
	41	15BR-2	LIVINGSTON	64	38
34 SHEETS	CONTRACT NO. 66691				
FED. ROAD DIST. NO.		ILLINOIS FED. AID PROJECT			