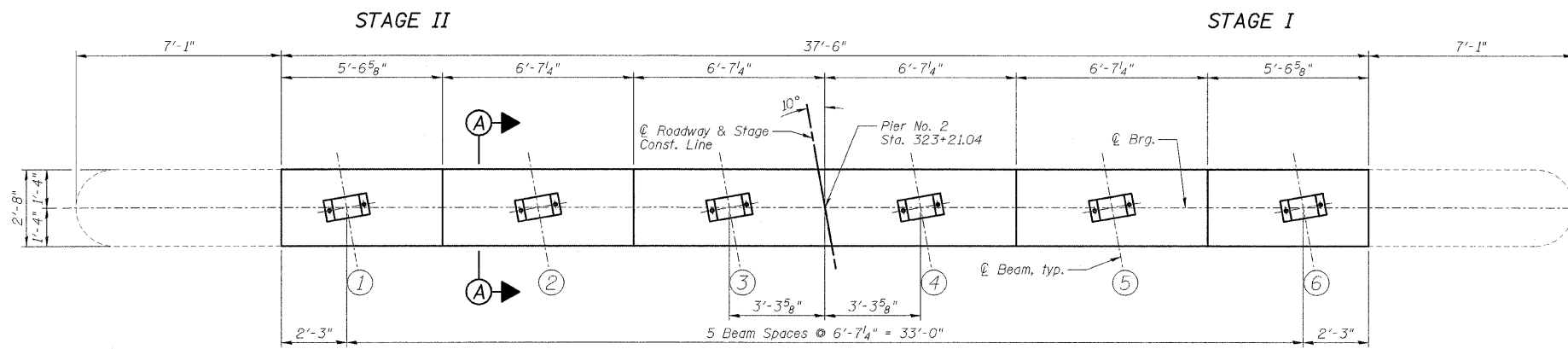
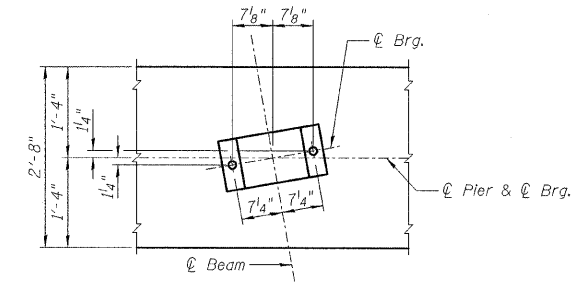


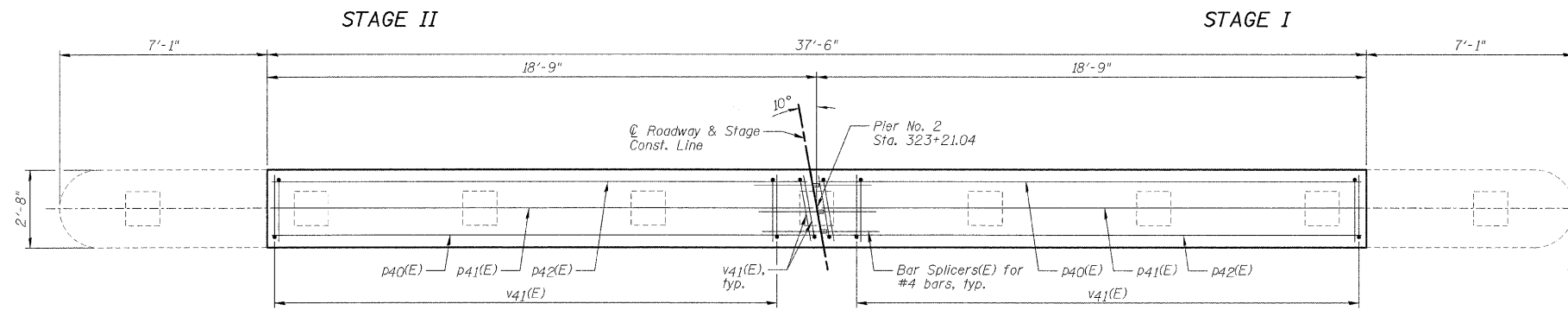
STATE OF ILLINOIS
DEPARTMENT OF TRANSPORTATION



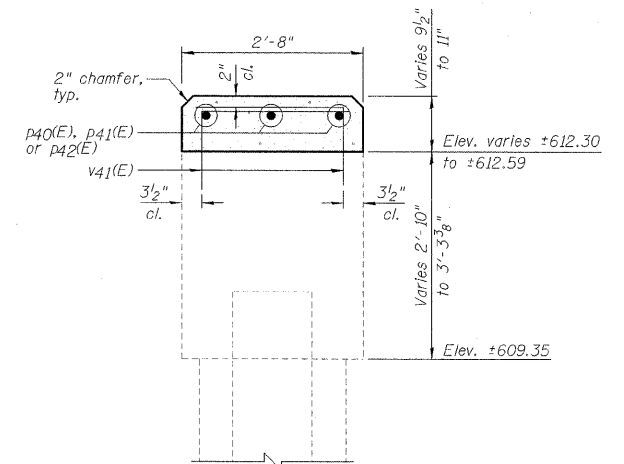
TOP VIEW ABUTMENT (SHOWING BEARING SEAT)



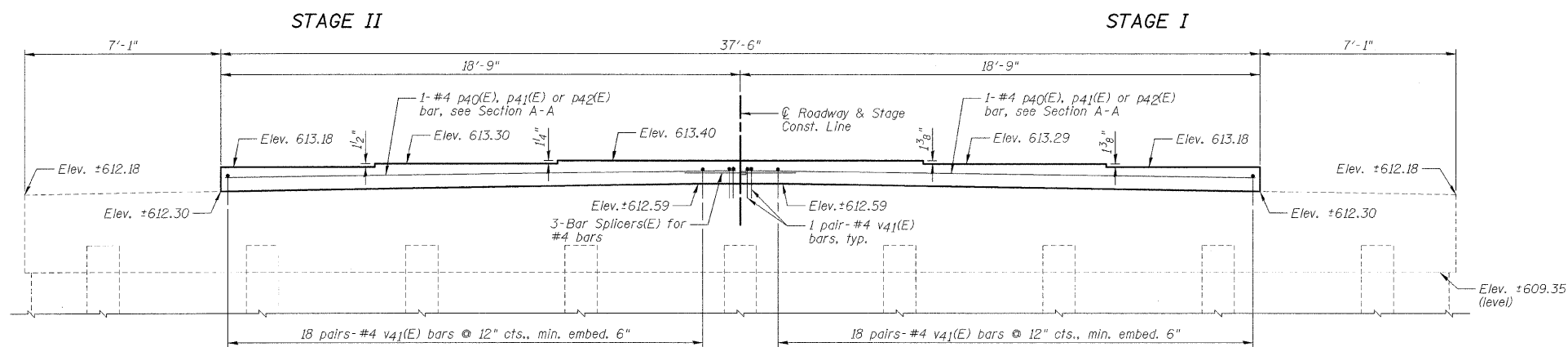
TYPICAL ANCHOR BOLT
PLACEMENT DETAIL



PLAN - PILE CAP



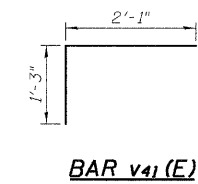
SECTION A-A



ELEVATION
(Looking East)

PIER NO. 2
BILL OF MATERIAL

Bar	No.	Size	Length	Shape
P40(E)	2	#4	18'-7"	—
P41(E)	2	#4	18'-5"	—
P42(E)	2	#4	18'-3"	—
v41(E)	76	#4	3'-4"	—
Item	Unit	Quantity		
Concrete Structures	Cu. Yd.	3.2		
Reinforcement Bars, Epoxy Coated	Pound	240		
Bar Splicers	Each	3		



BAR v41 (E)

PIER NO. 2
STRUCTURE NO. 053-0150

DESIGNED	SDH
CHECKED	JML
DRAWN	JWK/DJM
CHECKED	MSW

DATE 10/07/09

FARNSWORTH GROUP, INC.

NOTES:

- 1.) Drill & epoxy grout v41(E) bars in appropriate drilled holes according to Section 584 of the Standard Specifications. The type of epoxy grout shall be approved by the Engineer.
- 2.) Space reinforcement in oop to miss anchor bolts.
- 3.) See Sheet B33 for Bar Splicer Details.

SHEET NO. B30	F.A.P. RTE.	SECTION	COUNTY	TOTAL SHEETS	SHEET NO.
	41	15BR-2	LIVINGSTON	04	46
34 SHEETS	CONTRACT NO. 66691				
FED. ROAD DIST. NO.		ILLINOIS FED. AID PROJECT			