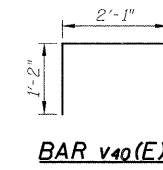
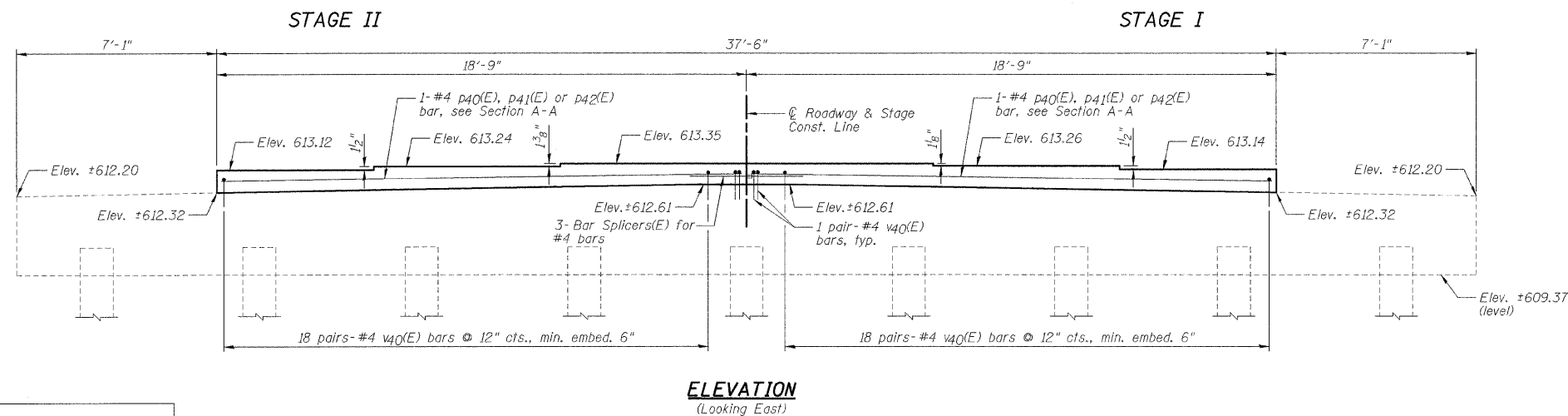
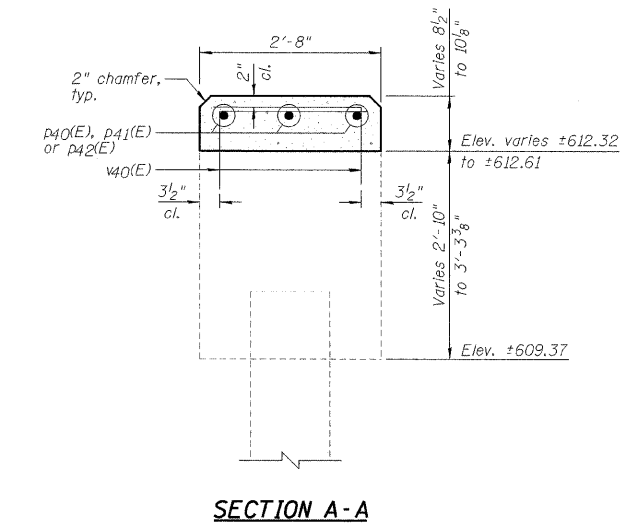
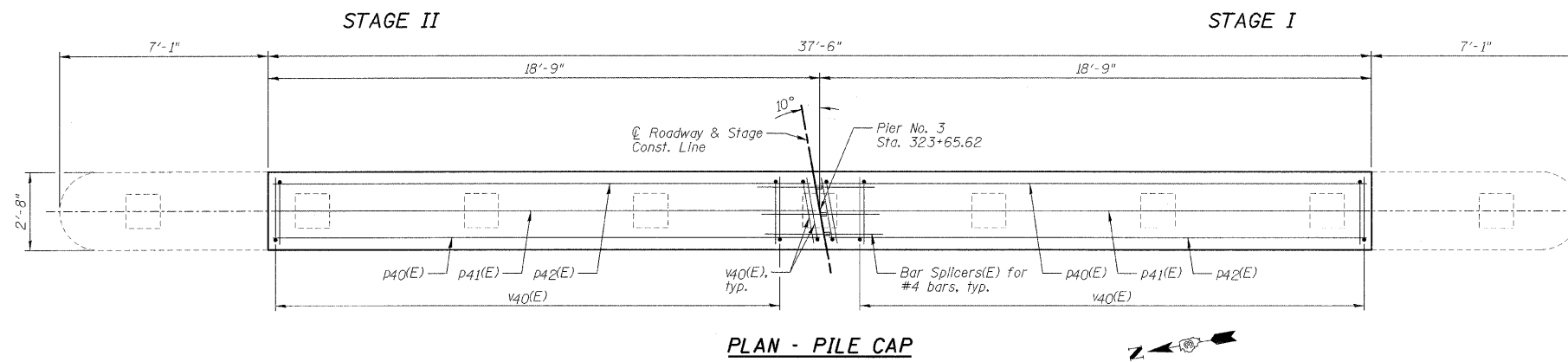
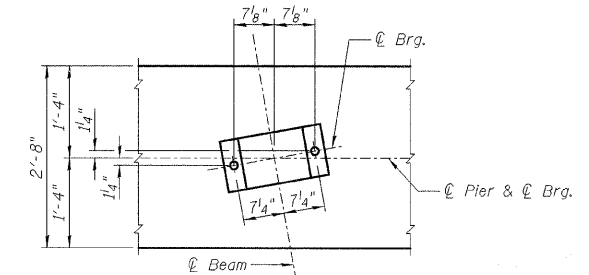
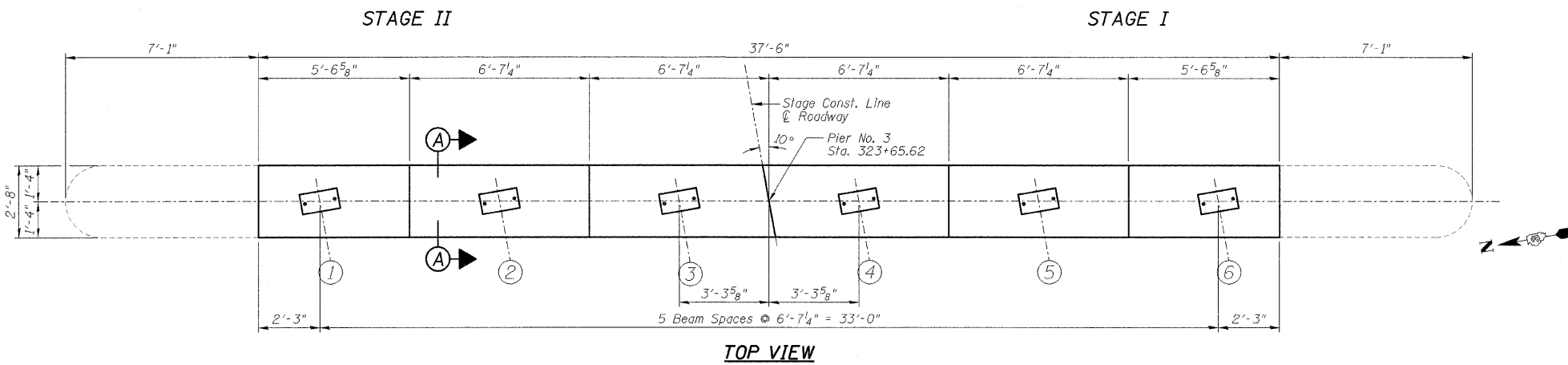


STATE OF ILLINOIS
DEPARTMENT OF TRANSPORTATION



**PIER NO. 3
BILL OF MATERIAL**

Bar No.	Size	Length	Shape
p40(E)	#4	18'-7"	—
p41(E)	#4	18'-5"	—
p42(E)	#4	18'-3"	—
v40(E)	#4	3'-3"	—
Item	Unit	Quantity	
Concrete Structures	Cu. Yd.	2.9	
Reinforcement Bars, Epoxy Coated	Pound	240	
Bar Splicers	Each	3	

**PIER NO. 3
STRUCTURE NO. 053-0150**

NOTES:

- 1.) Drill & epoxy grout v40(E) bars in appropriate drilled holes according to Section 584 of the Standard Specifications. The type of epoxy grout shall be approved by the Engineer.
- 2.) Space reinforcement in cap to miss anchor bolts.
- 3.) See Sheet B33 for Bar Splicer Details.

DESIGNED	SDH
CHECKED	JML
DRAWN	JWK/DJM
CHECKED	MSW

DATE 10/07/09

SHEET NO. B32	F.A.P. RTE.	SECTION	COUNTY	TOTAL SHEETS	SHEET NO.
34 SHEETS	41	15BR-2	LIVINGSTON	64	48
			CONTRACT NO. 66691		
FED. ROAD DIST. NO.		ILLINOIS	FED. AID PROJECT		