

STATE OF ILLINOIS
DEPARTMENT OF TRANSPORTATION

NORTH CURB LINE/NORTH FACE OF PARAPET

Location	Station	Offset	Theoretical Grade Elevations
End of West Approach	407+32.67	-18.42	612.98
A	407+42.67	-18.42	612.99
B	407+52.25	-18.00	613.00
Back of West Abut.	407+61.54	-18.00	613.01
West End of Deck	407+62.25	-18.00	613.01

NORTH EDGE OF PAVEMENT

Location	Station	Offset	Theoretical Grade Elevations
End of West Approach	407+26.25	-12.00	613.11
A	407+36.25	-12.00	613.12
B	407+46.25	-12.00	613.13
Back of West Abut.	407+55.54	-12.00	613.13
West End of Deck	407+56.25	-12.00	613.13

☉ ROADWAY, PROFILE GRADE LINE (P.G.L.) & STAGE CONSTRUCTION LINE

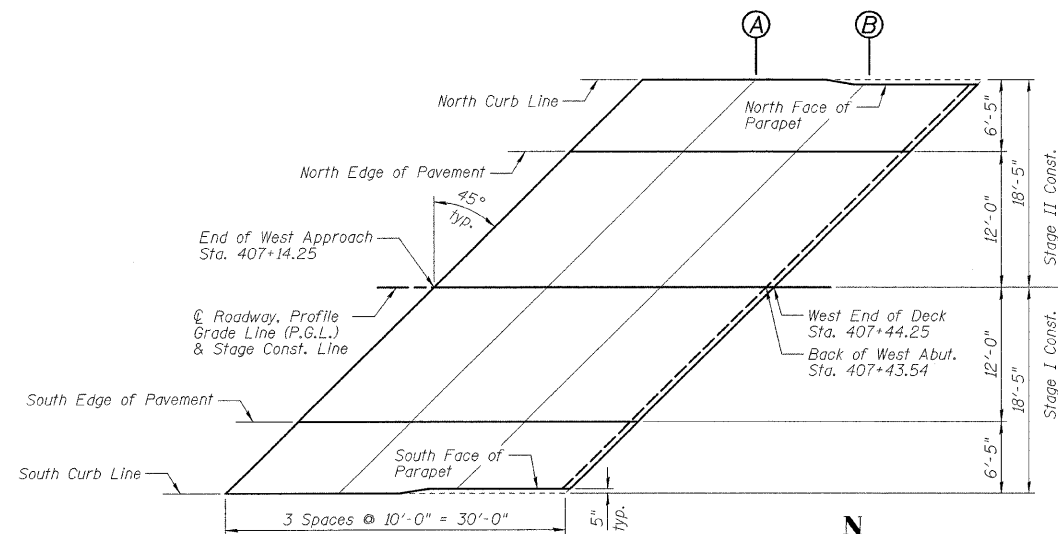
Location	Station	Offset	Theoretical Grade Elevations
End of West Approach	407+14.25	0.00	613.29
A	407+24.25	0.00	613.30
B	407+34.25	0.00	613.31
Back of West Abut.	407+43.54	0.00	613.31
West End of Deck	407+44.25	0.00	613.31

SOUTH EDGE OF PAVEMENT

Location	Station	Offset	Theoretical Grade Elevations
End of West Approach	407+02.25	12.00	613.09
A	407+12.25	12.00	613.10
B	407+22.25	12.00	613.11
Back of West Abut.	407+31.54	12.00	613.12
West End of Deck	407+32.25	12.00	613.12

SOUTH CURB LINE/SOUTH FACE OF PARAPET

Location	Station	Offset	Theoretical Grade Elevations
End of West Approach	406+95.83	18.42	612.94
A	407+05.83	18.42	612.96
B	407+16.25	18.00	612.98
Back of West Abut.	407+25.54	18.00	612.99
West End of Deck	407+26.25	18.00	612.99



WEST APPROACH SLAB PLAN

NORTH CURB LINE/NORTH FACE OF PARAPET

Location	Station	Offset	Theoretical Grade Elevations
East End of Deck	408+44.08	-18.00	612.98
Back of East Abut.	408+44.79	-18.00	612.98
A	408+54.08	-18.00	612.97
B	408+64.50	-18.42	612.95
End of East Approach	408+74.50	-18.42	612.93

NORTH EDGE OF PAVEMENT

Location	Station	Offset	Theoretical Grade Elevations
East End of Deck	408+38.08	-12.00	613.11
Back of East Abut.	408+38.79	-12.00	613.11
A	408+48.08	-12.00	613.10
B	408+58.08	-12.00	613.09
End of East Approach	408+68.08	-12.00	613.08

☉ ROADWAY, PROFILE GRADE LINE (P.G.L.) & STAGE CONSTRUCTION LINE

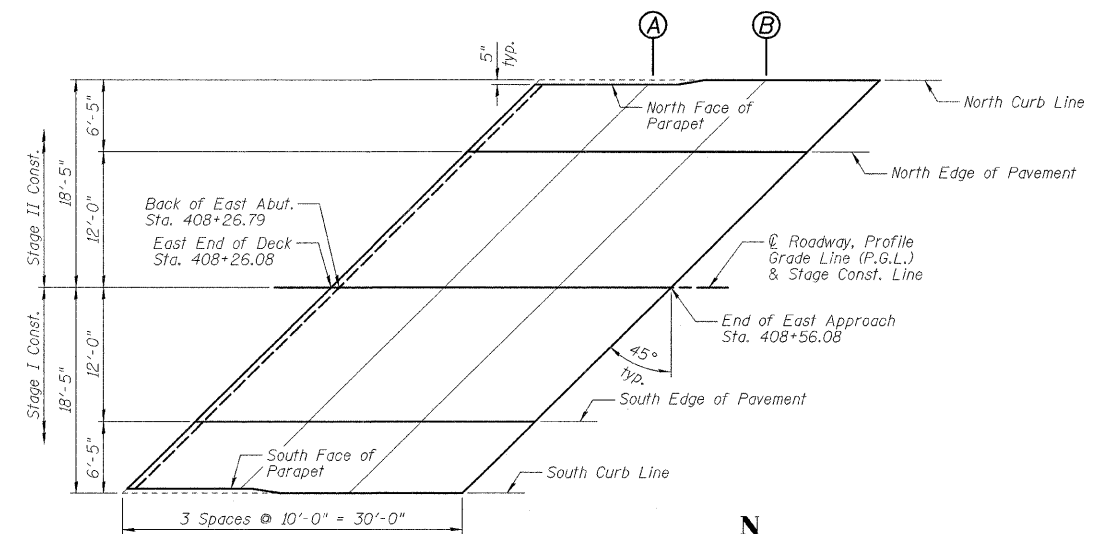
Location	Station	Offset	Theoretical Grade Elevations
East End of Deck	408+26.08	0.00	613.31
Back of East Abut.	408+26.79	0.00	613.31
A	408+36.08	0.00	613.30
B	408+46.08	0.00	613.29
End of East Approach	408+56.08	0.00	613.28

SOUTH EDGE OF PAVEMENT

Location	Station	Offset	Theoretical Grade Elevations
East End of Deck	408+14.08	12.00	613.13
Back of East Abut.	408+14.79	12.00	613.13
A	408+24.08	12.00	613.12
B	408+34.08	12.00	613.11
End of East Approach	408+44.08	12.00	613.10

SOUTH CURB LINE/SOUTH FACE OF PARAPET

Location	Station	Offset	Theoretical Grade Elevations
East End of Deck	408+08.08	18.00	613.01
Back of East Abut.	408+08.79	18.00	613.00
A	408+18.08	18.00	613.00
B	408+27.66	18.42	612.98
End of East Approach	408+37.66	18.42	612.98



EAST APPROACH SLAB PLAN

**APPROACH SLAB ELEVATIONS
STRUCTURE NO. 053-0185**

DESIGNED	SDH
CHECKED	JML
DRAWN	JWK/DJM
CHECKED	MSW

DATE 10/07/09

FARNSWORTH GROUP, INC.

SHEET NO. B7	F.A.P. RTE.	SECTION	COUNTY	TOTAL SHEETS	SHEET NO.
	41	(15BR-3)-1	LIVINGSTON	45	18
22 SHEETS	SN 053-0185		CONTRACT NO. 66833		
FED. ROAD DIST. NO.		ILLINOIS	FED. AID PROJECT		