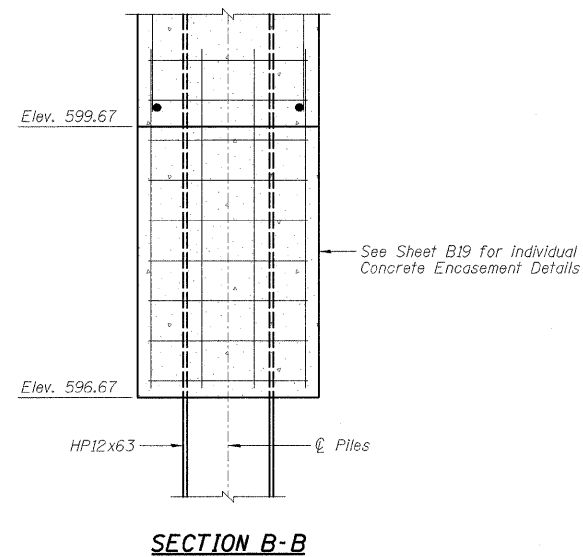
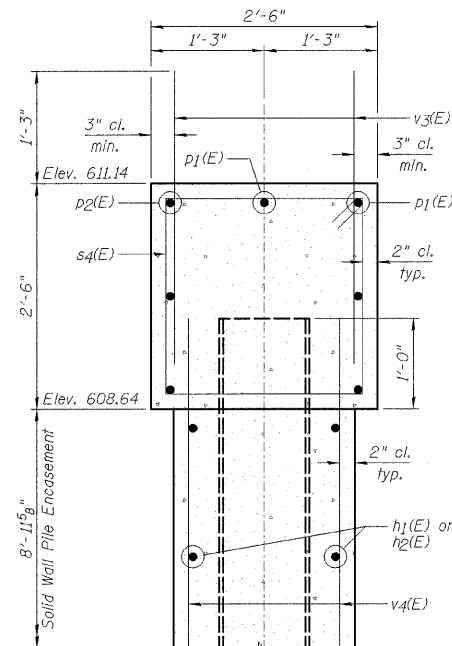
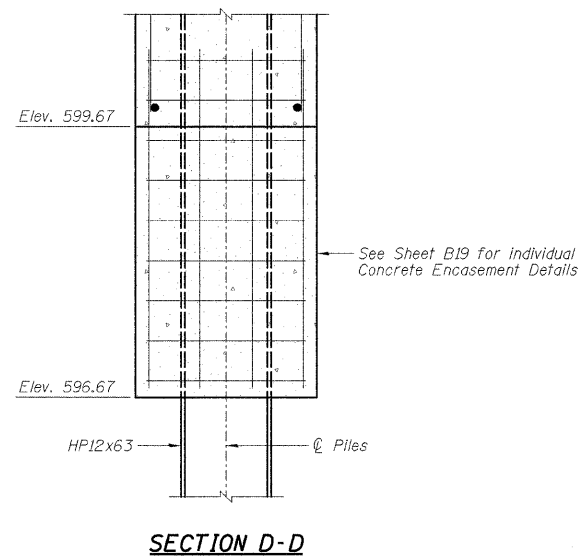
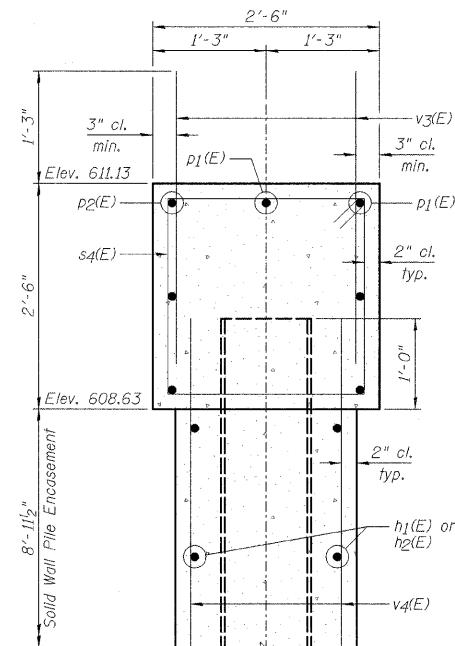


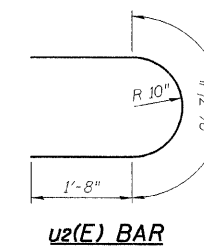
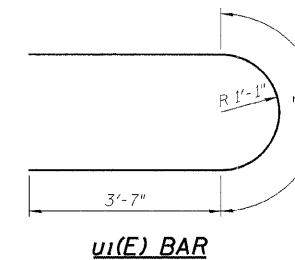
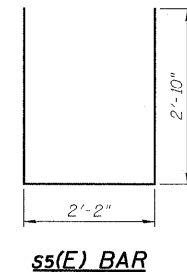
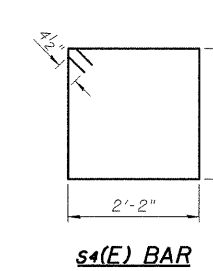
STATE OF ILLINOIS
DEPARTMENT OF TRANSPORTATION



SECTION B-B



SECTION D-D



NOTES:

- 1.) If a portion of the pier wall or concrete encasement is under water, reinforcement may be placed underwater into forms. Concrete shall be tremied according to Article 503.08 of the Standard Specifications to an elevation 1'-0" above the water line at the time of construction.
- 2.) See Sheet B16 for location of Section B-B.
- 3.) See Sheet B17 for location of Section D-D.

**PIER DETAILS
STRUCTURE NO. 053-0185**

DESIGNED	SDH
CHECKED	JML
DRAWN	JWK/DJM
CHECKED	MSW

DATE 10/07/09

FARNSWORTH GROUP, INC.

SHEET NO. B18	F.A.P. RTE.	SECTION	COUNTY	TOTAL SHEETS	SHEET NO.
	41	(15BR-3)-1	LIVINGSTON	45	29
22 SHEETS	SN 053-0185		CONTRACT NO. 66833		
FED. ROAD DIST. NO.		ILLINOIS FED. AID PROJECT			