

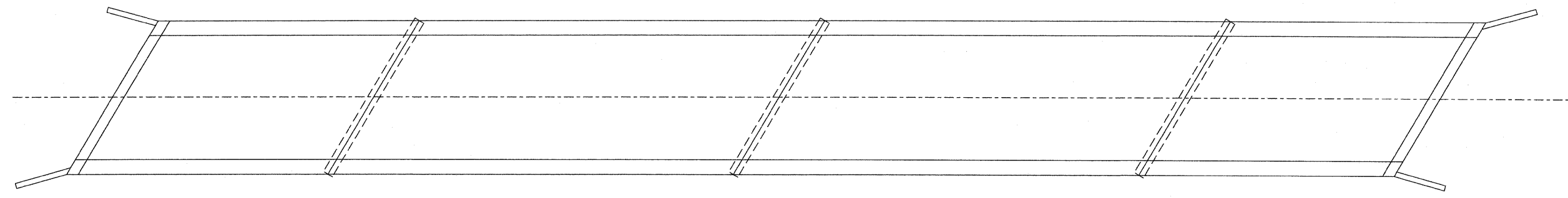
DECK SLAB REPAIR		
PATCH NUMBER	SIZE	DECK SLAB REPAIR (PARTIAL)
		SQ YD
1	1'-1" x 1'-11"	0.23
2	2'-1" x 2'-2"	0.51
3	1'-0" x 1'-0"	0.11
4	1'-0" x 1'-0"	0.11
5	1'-0" x 1'-5"	0.16
6	1'-0" x 2'-11"	0.32
7	1'-0" x 1'-3"	0.13
8	1'-0" x 1'-10"	0.20
9	1'-0" x 3'-1"	0.34
10	2'-0" x 2'-8"	0.59
11	1'-0" x 4'-3"	0.48
<b>TOTALS</b>		<b>3.2</b>

ALL PATCHES ARE PARTIAL DEPTH

### DECK SLAB REPAIR PLAN

DECK SURVEY COMPLETED  
DATE: 03/05/2009  
BY: DISTRICT PERSONNEL

NOTE: THE ENGINEER SHALL MARK ACTUAL LOCATIONS AND DIMENSIONS OF DECK SLAB REPAIR ON PLAN DETAIL BELOW



### AS BUILT DECK SLAB REPAIR PLAN

FILE NAME =	USER NAME = duncanbd	DESIGNED - HJL	REVISED -	<b>STATE OF ILLINOIS DEPARTMENT OF TRANSPORTATION</b>	<b>SN 038-0128 REPAIRS</b>			F.A.I. RTE.	SECTION	COUNTY	TOTAL SHEETS	SHEET NO.
es:\pwwork\PIWIDOT\DUNCANBD\dms30392\op5105-sht-bridge-repairs.DGN	DRAWN - BDD	REVISED -	REVISED -					57	(38-1,2)RS-2 & I	IROQUOIS	263	53
PLOT SCALE = 50,0000' / IN.	CHECKED - BDD	REVISED -	REVISED -		CONTRACT NO. 66981							
PLOT DATE = Oct 21, 2009 - 08:56:35 AM	DATE - 10/19/2009	REVISED -	REVISED -		ILLINOIS FED. AID PROJECT							
				SCALE:	SHEET NO.	OF	SHEETS	STA.	TO STA.			