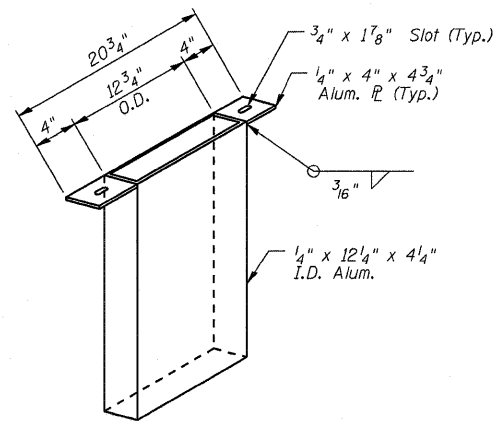
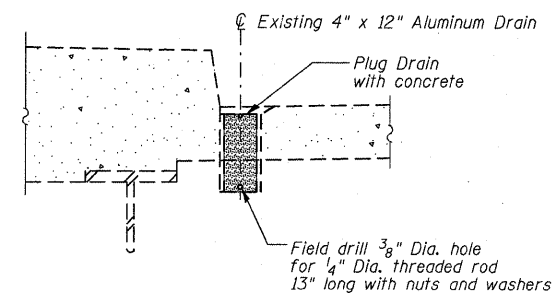


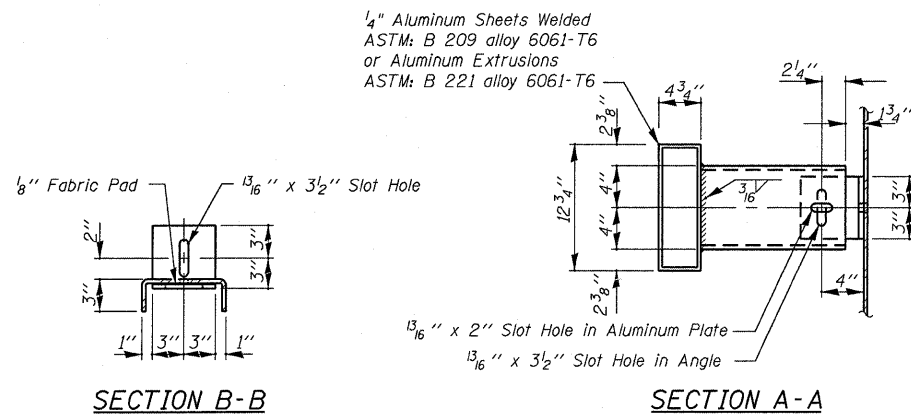
SECTION AT DRAIN



ELEVATION

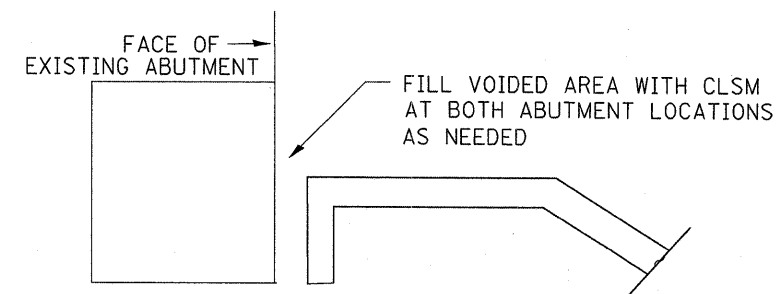


DRAIN ELIMINATION DETAIL



DRAIN EXTENSION DETAIL

Note: Expansion bolts, nuts, angles, bolts, & plate will not be paid for separately but shall be included in the cost for "Floor Drain Extension."



ABUTMENT/SLOPE WALL REPAIR DETAIL

FILE NAME =	USER NAME = duncanbd	DESIGNED - HJL	REVISED -	STATE OF ILLINOIS DEPARTMENT OF TRANSPORTATION	SN 038-0128 REPAIRS			F.A.I. RTE.	SECTION	COUNTY	TOTAL SHEETS	SHEET NO.
et:\p\work\PIWIDOT\DUNCANBD\dms38392\ep	5105-ah-t-bridge-repairs.DGN	DRAWN - BDD	REVISED -					57	(38-1,2)RS-2 & I	IROQUOIS	263	54
	PLOT SCALE = 50,0000 ' / IN.	CHECKED - BDD	REVISED -		SCALE: SHEET NO. OF SHEETS STA. TO STA.			CONTRACT NO. 66981		ILLINOIS FED. AID PROJECT		
	PLOT DATE = Oct 21, 2009 - 08:56:28 AM	DATE - 10/19/2009	REVISED -									